

# VIPA System SLIO

IM | 053-1IP00 | Manual

HB300 | IM | 053-1IP00 | en | 19-03

Interface module EtherNet/IP - IM 053IP



VIPA GmbH  
Ohmstr. 4  
91074 Herzogenaurach  
Telephone: +49 9132-744-0  
Fax: +49 9132-744-1864  
Email: [info@vipa.com](mailto:info@vipa.com)  
Internet: [www.vipa.com](http://www.vipa.com)

## Table of contents

<b>1</b>	<b>General</b> .....	<b>5</b>
	1.1 Copyright © VIPA GmbH .....	5
	1.2 About this manual.....	6
	1.3 Safety information.....	7
<b>2</b>	<b>Basics and mounting</b> .....	<b>8</b>
	2.1 Safety information for users.....	8
	2.2 System conception.....	9
	2.2.1 Overview.....	9
	2.2.2 Components.....	10
	2.2.3 Accessories.....	12
	2.3 Dimensions.....	13
	2.4 Mounting bus coupler.....	15
	2.5 Wiring.....	17
	2.5.1 Wiring bus coupler.....	17
	2.5.2 Wiring periphery modules.....	20
	2.5.3 Wiring power modules.....	22
	2.6 Demounting.....	26
	2.6.1 Demounting bus coupler.....	26
	2.6.2 Demounting periphery modules.....	28
	2.7 Trouble shooting - LEDs.....	31
	2.8 Installation guidelines.....	32
	2.9 General data.....	34
<b>3</b>	<b>Hardware description</b> .....	<b>36</b>
	3.1 Properties.....	36
	3.2 Structure.....	37
	3.2.1 Interfaces.....	37
	3.2.2 Address switch.....	38
	3.2.3 LEDs.....	39
	3.3 Technical data.....	41
<b>4</b>	<b>Deployment</b> .....	<b>43</b>
	4.1 Basics EtherNet/IP.....	43
	4.2 Basics - IP address and subnet.....	45
	4.3 Setting the IP address.....	46
	4.4 Operating modes.....	48
	4.5 Web server.....	49
	4.6 Accessing the System SLIO.....	55
	4.6.1 Overview.....	55
	4.6.2 Accessing I/O area.....	57
	4.6.3 Accessing the parameter data.....	59
	4.6.4 Accessing diagnostics data.....	59
	4.7 Deployment of FORWARD_OPEN.....	60
	4.7.1 Command IDs.....	61
	4.7.2 VIPA specific error message.....	66
	4.8 EtherNet/IP - Objects.....	68
	4.8.1 Standardized EtherNet/IP Objects.....	68
	4.8.2 VIPA specific EtherNet/IP objects.....	69
	4.8.3 Assembly instances.....	73

---

4.9 Examples.....	76
4.9.1 Configuration at a Yaskawa MWIEC scanner.....	76
4.9.2 Configuration at a Rockwell scanner.....	83

# 1 General

## 1.1 Copyright © VIPA GmbH

### All Rights Reserved

This document contains proprietary information of VIPA and is not to be disclosed or used except in accordance with applicable agreements.

This material is protected by the copyright laws. It may not be reproduced, distributed, or altered in any fashion by any entity (either internal or external to VIPA), except in accordance with applicable agreements, contracts or licensing, without the express written consent of VIPA and the business management owner of the material.

For permission to reproduce or distribute, please contact: VIPA, Gesellschaft für Visualisierung und Prozessautomatisierung mbH Ohmstraße 4, D-91074 Herzogenaurach, Germany

Tel.: +49 9132 744 -0

Fax.: +49 9132 744-1864

E-Mail: [info@vipa.de](mailto:info@vipa.de)

<http://www.vipa.com>



*Every effort has been made to ensure that the information contained in this document was complete and accurate at the time of publishing. Nevertheless, the authors retain the right to modify the information.*

*This customer document describes all the hardware units and functions known at the present time. Descriptions may be included for units which are not present at the customer site. The exact scope of delivery is described in the respective purchase contract.*

### EC Conformity Declaration

Hereby, VIPA GmbH declares that the products and systems are in compliance with the essential requirements and other relevant provisions. Conformity is indicated by the CE marking affixed to the product.

### Conformity Information

For more information regarding CE marking and Declaration of Conformity (DoC), please contact your local VIPA customer service organization.

### Trademarks

VIPA, SLIO, System 100V, System 200V, System 300V, System 300S, System 400V, System 500S and Commander Compact are registered trademarks of VIPA Gesellschaft für Visualisierung und Prozessautomatisierung mbH.

SPEED7 is a registered trademark of profichip GmbH.

SIMATIC, STEP, SINEC, TIA Portal, S7-300, S7-400 and S7-1500 are registered trademarks of Siemens AG.

Microsoft and Windows are registered trademarks of Microsoft Inc., USA.

Portable Document Format (PDF) and Postscript are registered trademarks of Adobe Systems, Inc.

All other trademarks, logos and service or product marks specified herein are owned by their respective companies.

**Information product support**

Contact your local VIPA Customer Service Organization representative if you wish to report errors or questions regarding the contents of this document. If you are unable to locate a customer service centre, contact VIPA as follows:

VIPA GmbH, Ohmstraße 4, 91074 Herzogenaurach, Germany

Telefax: +49 9132 744-1204

E-Mail: [documentation@vipa.de](mailto:documentation@vipa.de)

**Technical support**

Contact your local VIPA Customer Service Organization representative if you encounter problems with the product or have questions regarding the product. If you are unable to locate a customer service centre, contact VIPA as follows:

VIPA GmbH, Ohmstraße 4, 91074 Herzogenaurach, Germany

Tel.: +49 9132 744-1150 (Hotline)

E-Mail: [support@vipa.de](mailto:support@vipa.de)

## 1.2 About this manual

**Objective and contents**

This manual describes the IM 053-1IP00 of the System SLIO from VIPA. It contains a description of the construction, project implementation and usage.

Product	Order no.	as of state:	
		HW	FW
IM 053IP	053-1IP00	01	V2.2

**Target audience**

The manual is targeted at users who have a background in automation technology.

**Structure of the manual**

The manual consists of chapters. Every chapter provides a self-contained description of a specific topic.

**Guide to the document**

The following guides are available in the manual:

- An overall table of contents at the beginning of the manual
- References with page numbers

**Availability**

The manual is available in:

- printed form, on paper
- in electronic form as PDF-file (Adobe Acrobat Reader)

**Icons Headings**

Important passages in the text are highlighted by following icons and headings:

**DANGER!**

Immediate or likely danger. Personal injury is possible.

**CAUTION!**

Damages to property is likely if these warnings are not heeded.



*Supplementary information and useful tips.*

### 1.3 Safety information

**Applications conforming with specifications**

The system is constructed and produced for:

- communication and process control
- general control and automation tasks
- industrial applications
- operation within the environmental conditions specified in the technical data
- installation into a cubicle

**DANGER!**

This device is not certified for applications in

- in explosive environments (EX-zone)

**Documentation**

The manual must be available to all personnel in the

- project design department
- installation department
- commissioning
- operation

**CAUTION!**

**The following conditions must be met before using or commissioning the components described in this manual:**

- Hardware modifications to the process control system should only be carried out when the system has been disconnected from power!
- Installation and hardware modifications only by properly trained personnel.
- The national rules and regulations of the respective country must be satisfied (installation, safety, EMC ...)

**Disposal**

**National rules and regulations apply to the disposal of the unit!**

## 2 Basics and mounting

### 2.1 Safety information for users

#### Handling of electrostatic sensitive modules

VIPA modules make use of highly integrated components in MOS-Technology. These components are extremely sensitive to over-voltages that can occur during electrostatic discharges. The following symbol is attached to modules that can be destroyed by electrostatic discharges.



The Symbol is located on the module, the module rack or on packing material and it indicates the presence of electrostatic sensitive equipment. It is possible that electrostatic sensitive equipment is destroyed by energies and voltages that are far less than the human threshold of perception. These voltages can occur where persons do not discharge themselves before handling electrostatic sensitive modules and they can damage components thereby, causing the module to become inoperable or unusable. Modules that have been damaged by electrostatic discharges can fail after a temperature change, mechanical shock or changes in the electrical load. Only the consequent implementation of protection devices and meticulous attention to the applicable rules and regulations for handling the respective equipment can prevent failures of electrostatic sensitive modules.

#### Shipping of modules

Modules must be shipped in the original packing material.

#### Measurements and alterations on electrostatic sensitive modules

When you are conducting measurements on electrostatic sensitive modules you should take the following precautions:

- Floating instruments must be discharged before use.
- Instruments must be grounded.

Modifying electrostatic sensitive modules you should only use soldering irons with grounded tips.



#### CAUTION!

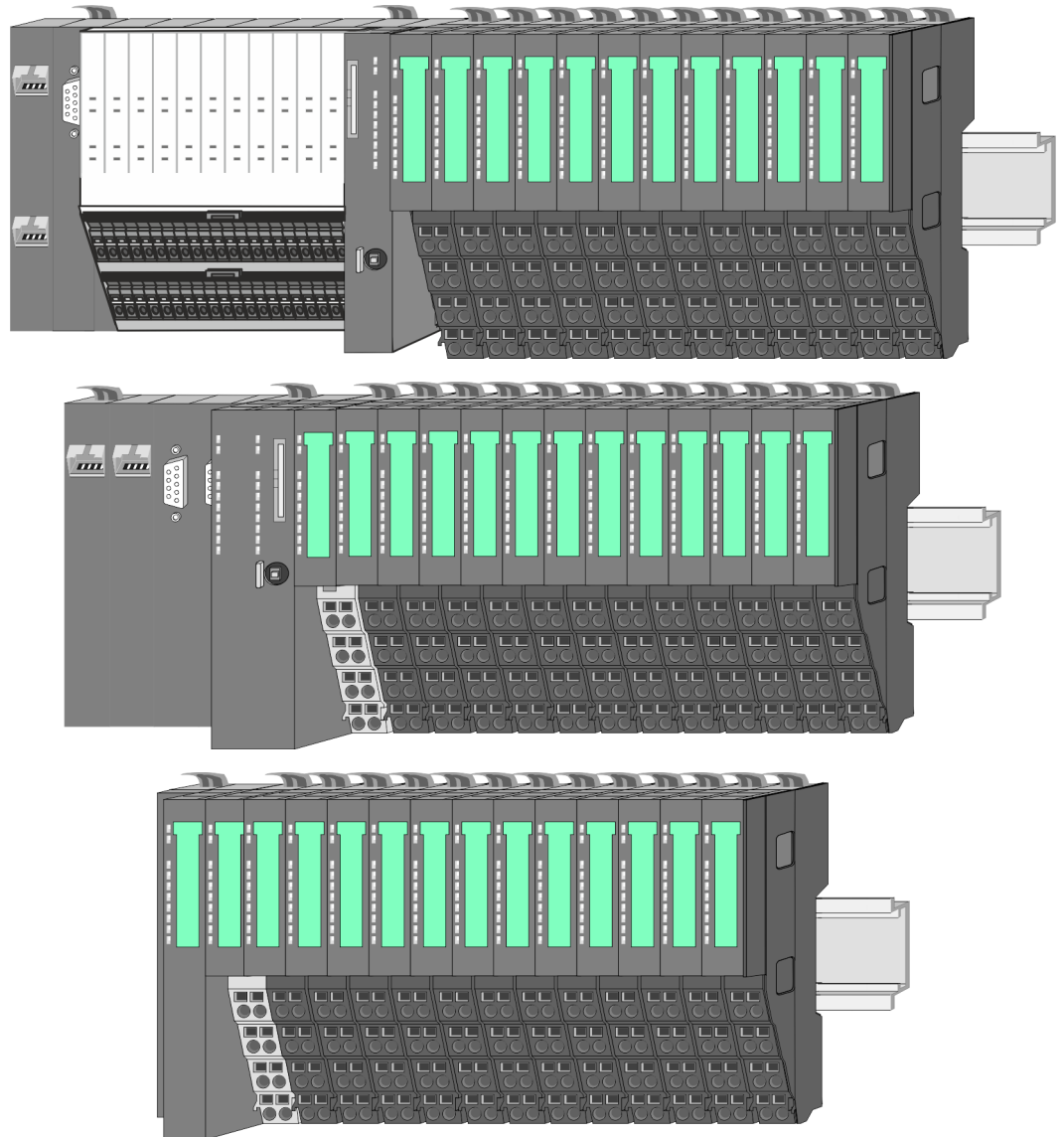
Personnel and instruments should be grounded when working on electrostatic sensitive modules.



## 2.2 System conception

### 2.2.1 Overview

System SLIO is a modular automation system for assembly on a 35mm mounting rail. By means of the peripheral modules with 2, 4 or 8 channels this system may properly be adapted matching to your automation tasks. The wiring complexity is low, because the supply of the DC 24V power section is integrated to the backplane bus and defective modules may be replaced with standing wiring. By deployment of the power modules in contrasting colors within the system, further isolated areas may be defined for the DC 24V power section supply, respectively the electronic power supply may be extended with 2A.



### 2.2.2 Components

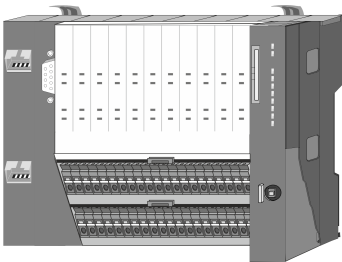
- CPU (head module)
- Bus coupler (head module)
- Line extension
- Periphery modules
- Accessories



**CAUTION!**

Only modules of VIPA may be combined. A mixed operation with third-party modules is not allowed!

#### CPU 01xC



With this CPU 01xC, the CPU electronic, input/output components and power supply are integrated to one casing. In addition, up to 64 periphery modules of the System SLIO can be connected to the backplane bus. As head module via the integrated power supply CPU electronic and the I/O components are power supplied as well as the electronic of the connected periphery modules. To connect the power supply of the I/O components and for DC 24V power supply of via backplane bus connected peripheral modules, the CPU has removable connectors. By installing of up to 64 periphery modules at the backplane bus, these are electrically connected, this means these are assigned to the backplane bus, the electronic modules are power supplied and each periphery module is connected to the DC 24V power section supply.

#### CPU 01x



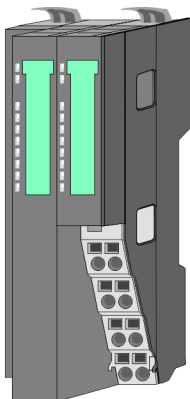
With this CPU 01x, the CPU electronic and power supply are integrated to one casing. As head module, via the integrated power module for power supply, CPU electronic and the electronic of the connected periphery modules are supplied. The DC 24 power section supply for the linked periphery modules is established via a further connection of the power module. By installing of up to 64 periphery modules at the backplane bus, these are electrically connected, this means these are assigned to the backplane bus, the electronic modules are power supplied and each periphery module is connected to the DC 24V power section supply.



**CAUTION!**

CPU part and power module may not be separated!  
Here you may only exchange the electronic module!

#### Bus coupler



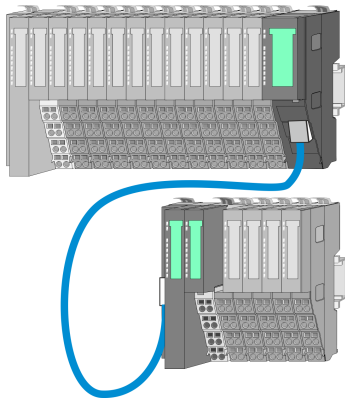
With a bus coupler bus interface and power module is integrated to one casing. With the bus interface you get access to a subordinated bus system. As head module, via the integrated power module for power supply, bus interface and the electronic of the connected periphery modules are supplied. The DC 24 power section supply for the linked periphery modules is established via a further connection of the power module. By installing of up to 64 periphery modules at the bus coupler, these are electrically connected, this means these are assigned to the backplane bus, the electronic modules are power supplied and each periphery module is connected to the DC 24V power section supply.



**CAUTION!**

Bus interface and power module may not be separated!  
Here you may only exchange the electronic module!

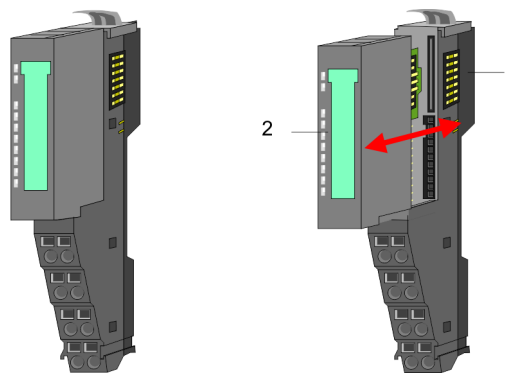
**Line extension**



In the System SLIO there is the possibility to place up to 64 modules in on line. By means of the line extension you can divide this line into several lines. Here you have to place a line extension master at each end of a line and the subsequent line has to start with a line extension slave. Master and slave are to be connected via a special connecting cable. In this way, you can divide a line on up to 5 lines. For each line extension the maximum number of pluggable modules at the System SLIO bus is decreased by 1. To use the line extension no special configuration is required.

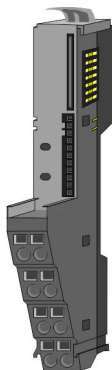
**Periphery modules**

Each periphery module consists of a *terminal* and an *electronic module*.



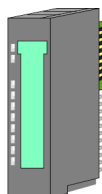
- 1 Terminal module
- 2 Electronic module

**Terminal module**



The *terminal* module serves to carry the electronic module, contains the backplane bus with power supply for the electronic, the DC 24V power section supply and the staircase-shaped terminal for wiring. Additionally the terminal module has a locking system for fixing at a mounting rail. By means of this locking system your SLIO system may be assembled outside of your switchgear cabinet to be later mounted there as whole system.

**Electronic module**



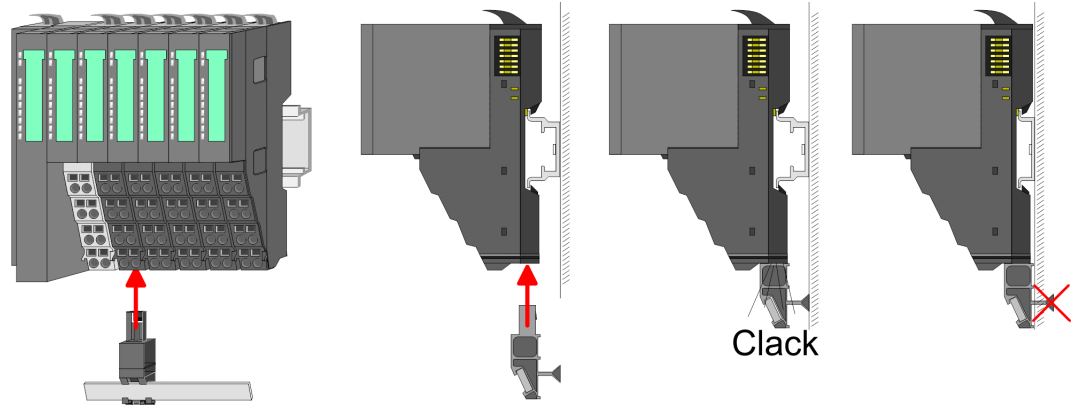
The functionality of a SLIO periphery module is defined by the *electronic* module, which is mounted to the terminal module by a sliding mechanism. With an error the defective module may be exchanged for a functional module with standing installation. At the front side there are LEDs for status indication. For simple wiring each module shows a corresponding connection diagram at the front and at the side.

### 2.2.3 Accessories

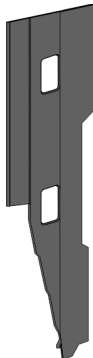
#### Shield bus carrier



The shield bus carrier (order no.: 000-0AB00) serves to carry the shield bus (10mm x 3mm) to connect cable shields. Shield bus carriers, shield bus and shield fixings are not in the scope of delivery. They are only available as accessories. The shield bus carrier is mounted underneath the terminal of the terminal module. With a flat mounting rail for adaptation to a flat mounting rail you may remove the spacer of the shield bus carrier.



#### Bus cover



With each head module, to protect the backplane bus connectors, there is a mounted bus cover in the scope of delivery. You have to remove the bus cover of the head module before mounting a System SLIO module. For the protection of the backplane bus connector you always have to mount the bus cover at the last module of your system again. The bus cover has the order no. 000-0AA00.

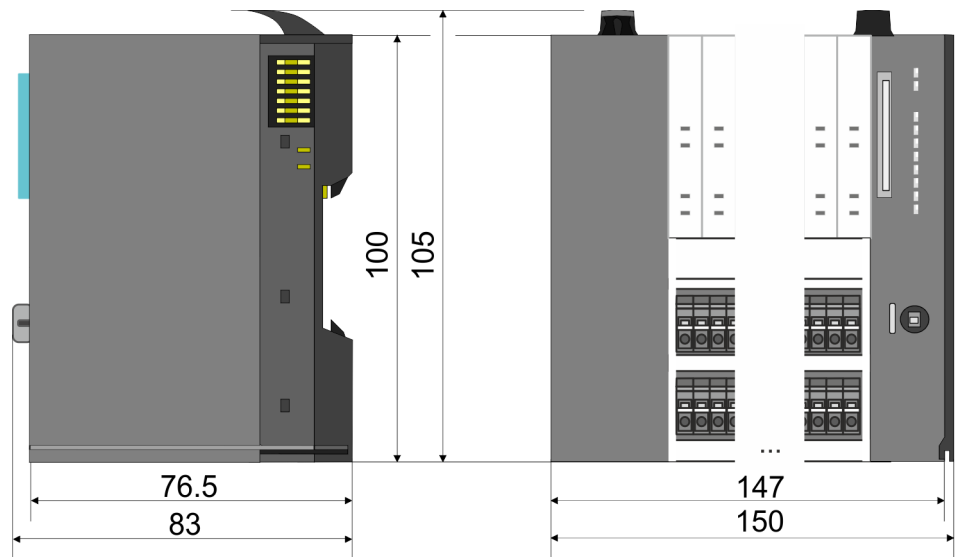
#### Coding pins



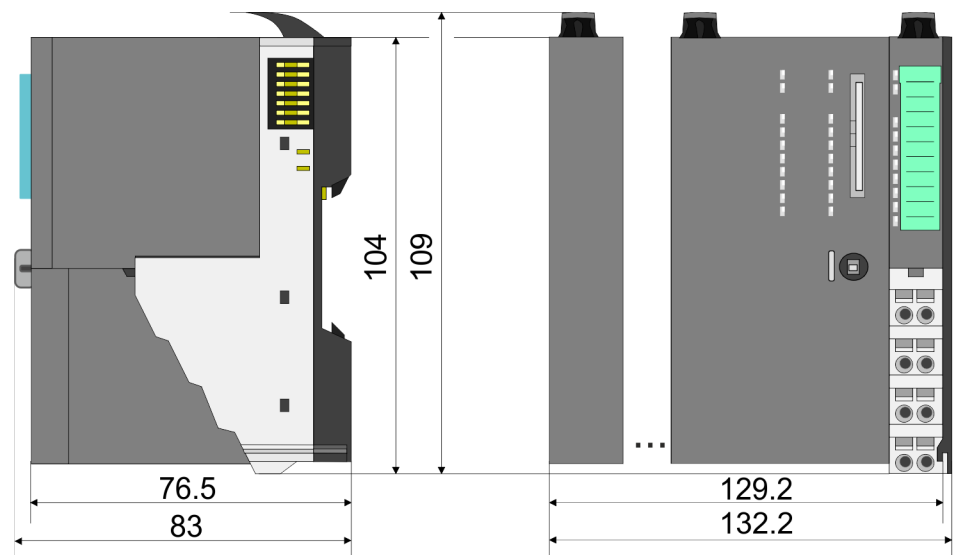
There is the possibility to fix the assignment of electronic and terminal module. Here coding pins (order number 000-0AC00) from VIPA can be used. The coding pin consists of a coding jack and a coding plug. By combining electronic and terminal module with coding pin, the coding jack remains in the electronic module and the coding plug in the terminal module. This ensures that after replacing the electronics module just another electronic module can be plugged with the same encoding.

## 2.3 Dimensions

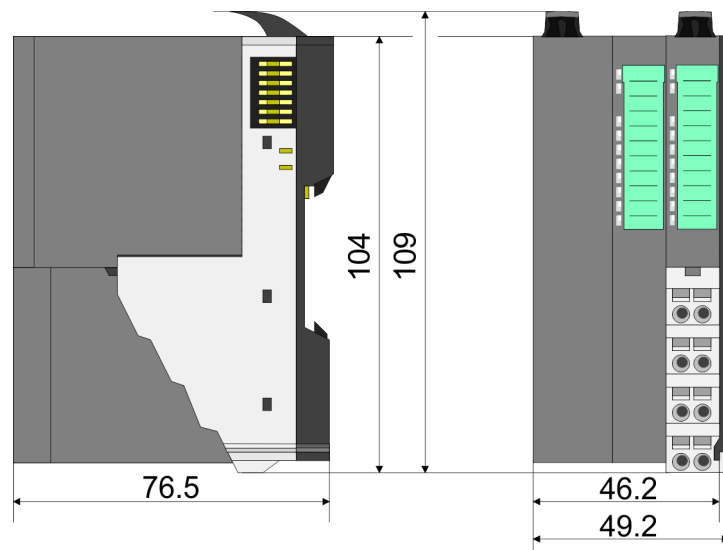
### Dimensions CPU 01xC



### Dimensions CPU 01x

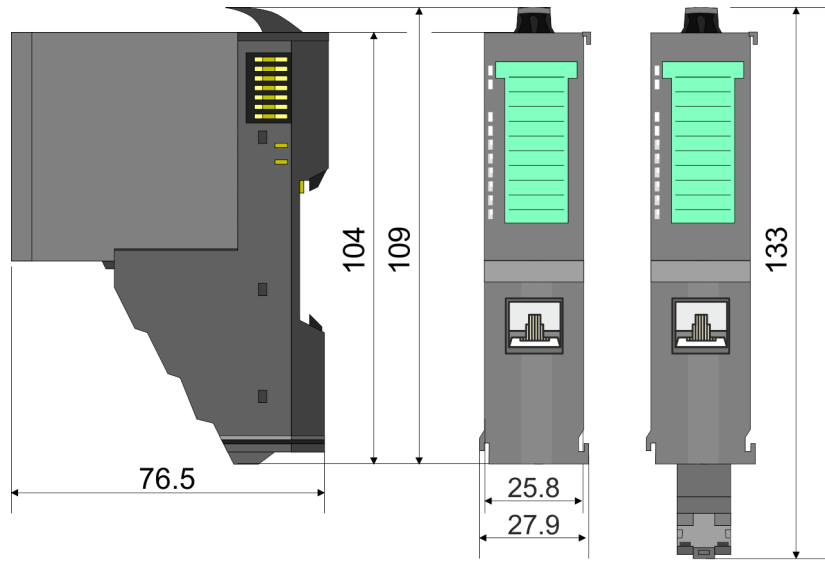


### Dimensions bus coupler and line extension slave

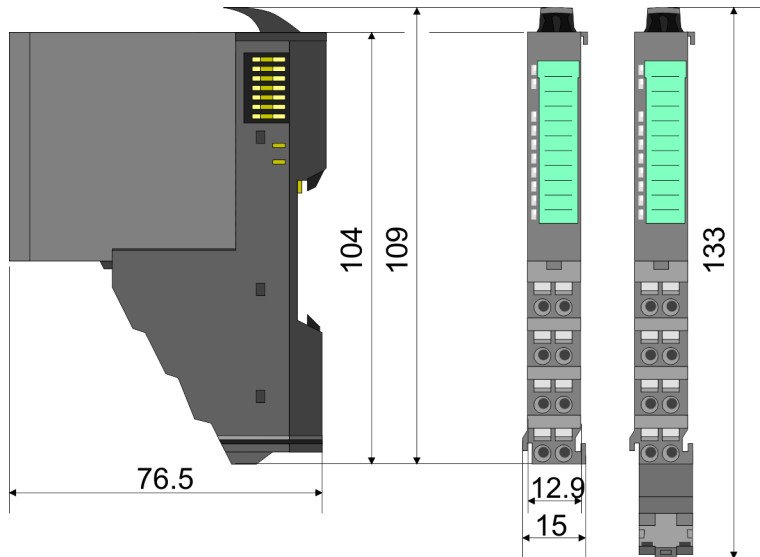


Dimensions

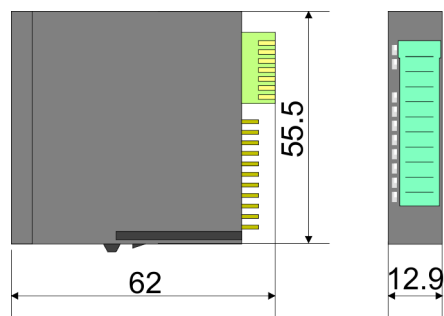
Dimensions line extension master



Dimension periphery module



Dimensions electronic module



Dimensions in mm

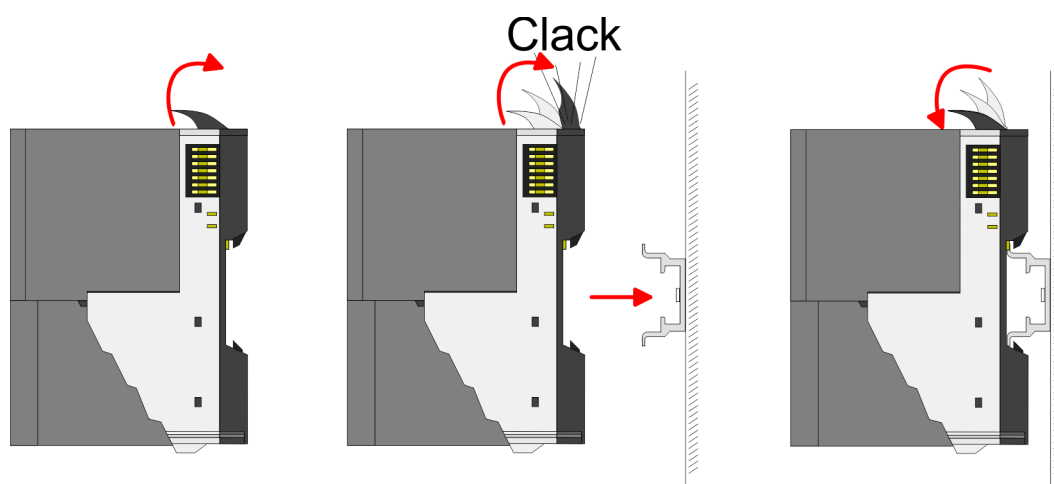
## 2.4 Mounting bus coupler



### Requirements for UL compliance use

- Use for power supply exclusively SELV/PELV power supplies.
- The System SLIO must be installed and operated in a housing according to IEC 61010-1 9.3.2 c).

There are locking lever at the top side of the bus coupler. For mounting and demounting these locking lever are to be turned upwards until these engage. Place the bus coupler at the mounting rail. The bus coupler is fixed to the mounting rail by pushing downward the locking levers. The bus coupler is directly mounted at a mounting rail. Up to 64 modules may be mounted. The electronic and power section supply are connected via the back-plane bus. Please consider here that the sum current of the electronic power supply does not exceed the maximum value of 3A. By means of the power module 007-1AB10 the current of the electronic power supply may be expanded accordingly.

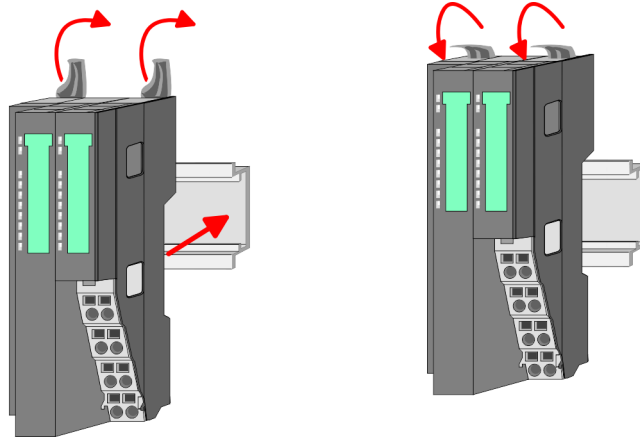


### Proceeding



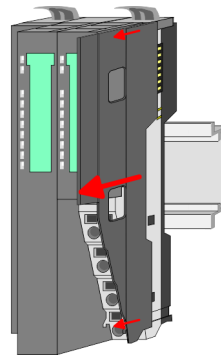
1. → Mount the mounting rail! Please consider that a clearance from the middle of the mounting rail of at least 80mm above and 60mm below, respectively 80mm by deployment of shield bus carriers, exist.

Mounting bus coupler



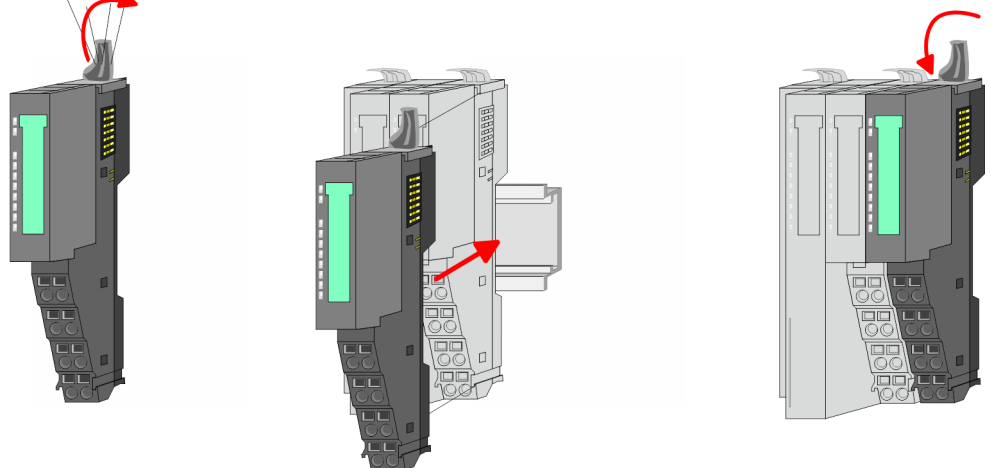
2. Turn the locking lever upwards, place the bus coupler at the mounting rail and turn the lever downward.

Mounting periphery modules



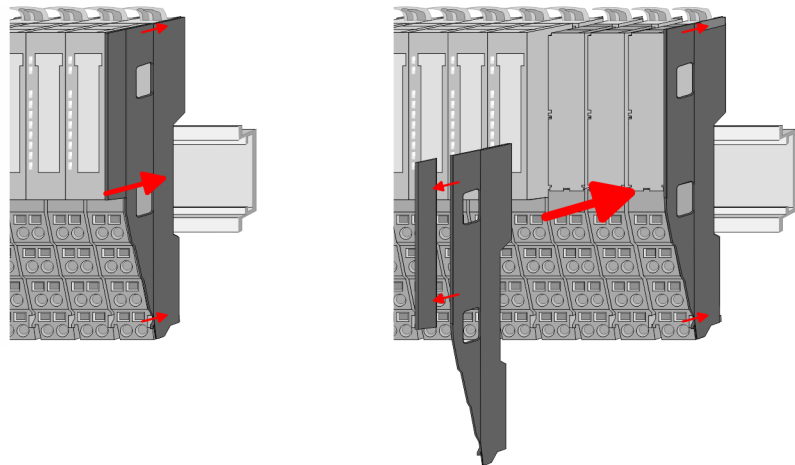
1. Before mounting the periphery modules you have to remove the bus cover at the right side of the bus coupler by pulling it forward. Keep the cover for later mounting.

Clack



2. Mount the periphery modules you want.





3. After mounting the whole system, to protect the backplane bus connectors at the last module you have to mount the bus cover, now. If the last module is a clamp module, for adaptation the upper part of the bus cover is to be removed.

## 2.5 Wiring



### CAUTION!

#### Consider temperature for external cables!

Cables may experience temperature increase due to system heat dissipation. Thus the cabling specification must be chosen 5°C above ambient temperature!



### CAUTION!

#### Separate insulation areas!

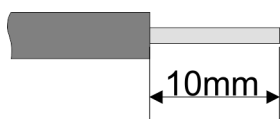
The system is specified for SELV/PELV environment. Devices, which are attached to the system must meet these specifications. Installation and cable routing other than SELV/PELV specification must be separated from the system's equipment!

### 2.5.1 Wiring bus coupler

#### Terminal module terminals

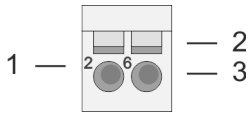
The System SLIO bus coupler have a power module integrated. Terminals with spring clamp technology are used for wiring. The spring clamp technology allows quick and easy connection of your signal and supply lines. In contrast to screw terminal connections this type of connection is vibration proof.

#### Data

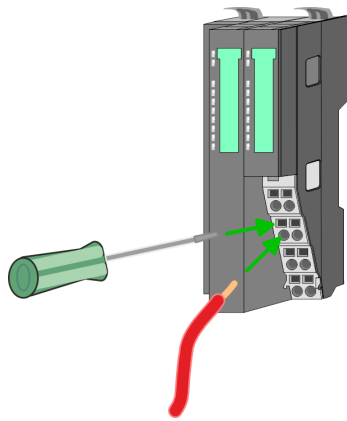
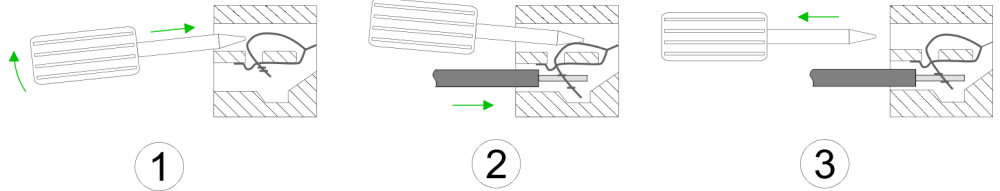


$U_{max}$	30V DC
$I_{max}$	10A
Cross section	0.08 ... 1.5mm <sup>2</sup> (AWG 28 ... 16)
Stripping length	10mm

Wiring procedure

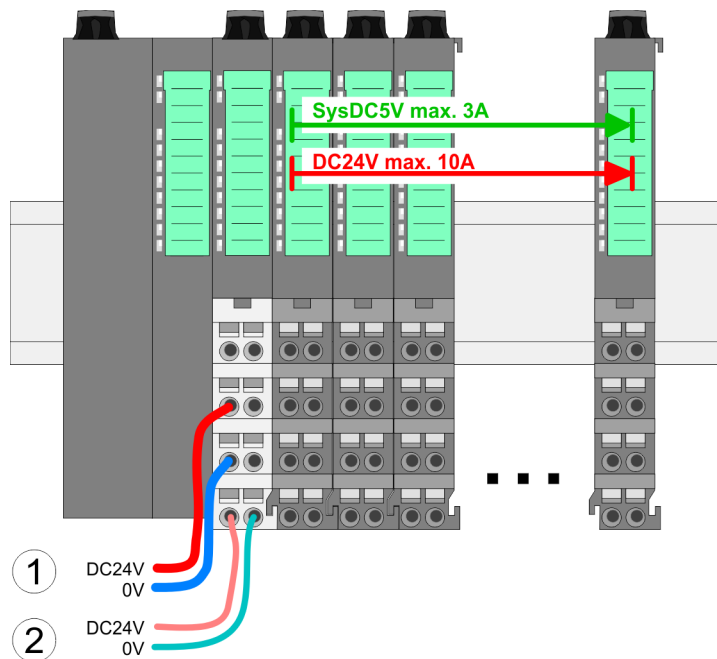


- 1 Pin number at the connector
- 2 Opening for screwdriver
- 3 Connection hole for wire

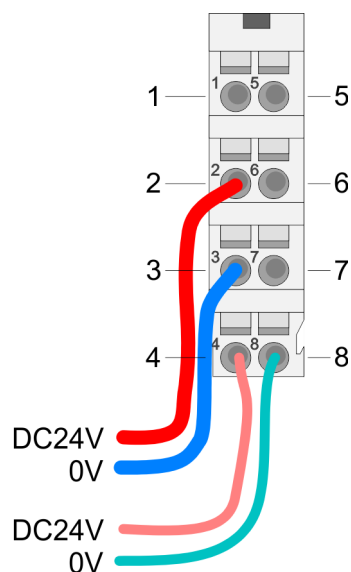


- 1. Insert a suited screwdriver at an angle into the square opening as shown. Press and hold the screwdriver in the opposite direction to open the contact spring.
- 2. Insert the stripped end of wire into the round opening. You can use wires with a cross section of 0.08mm<sup>2</sup> up to 1.5mm<sup>2</sup>
- 3. By removing the screwdriver, the wire is securely fixed via the spring contact to the terminal.

Standard wiring



- (1) DC 24V for power section supply I/O area (max. 10A)
- (2) DC 24V for electronic power supply bus coupler and I/O area

**PM - Power module**

For wires with a core cross-section of 0.08mm<sup>2</sup> up to 1.5mm<sup>2</sup>.

Pos.	Function	Type	Description
1	---	---	not connected
2	DC 24V	I	DC 24V for power section supply
3	0V	I	GND for power section supply
4	Sys DC 24V	I	DC 24V for electronic section supply
5	---	---	not connected
6	DC 24V	I	DC 24V for power section supply
7	0V	I	GND for power section supply
8	Sys 0V	I	GND for electronic section supply

I: Input

**CAUTION!**

Since the power section supply is not internally protected, it is to be externally protected with a fuse, which corresponds to the maximum current. This means max. 10A is to be protected by a 10A fuse (fast) respectively by a line circuit breaker 10A characteristics Z!



*The electronic power section supply is internally protected against higher voltage by fuse. The fuse is within the power module. If the fuse releases, its electronic module must be exchanged!*

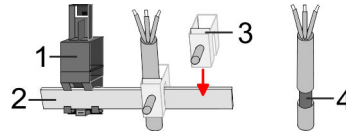
**Fusing**

- The power section supply is to be externally protected with a fuse, which corresponds to the maximum current. This means max. 10A is to be protected with a 10A fuse (fast) respectively by a line circuit breaker 10A characteristics Z!
- It is recommended to externally protect the electronic power supply for bus coupler and I/O area with a 2A fuse (fast) respectively by a line circuit breaker 2A characteristics Z.
- The electronic power supply for the I/O area of the power module 007-1AB10 should also be externally protected with a 1A fuse (fast) respectively by a line circuit breaker 1A characteristics Z.

**State of the electronic power supply via LEDs**

After PowerON of the System SLIO the LEDs RUN respectively MF get on so far as the sum current does not exceed 3A. With a sum current greater than 3A the LEDs may not be activated. Here the power module with the order number 007-1AB10 is to be placed between the peripheral modules.

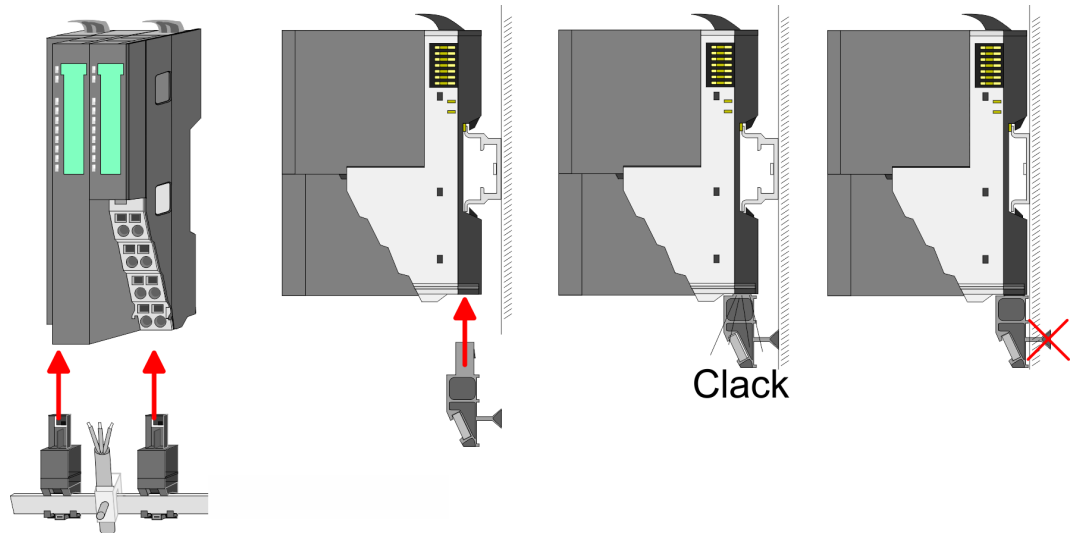
Shield attachment



- 1 Shield bus carrier
- 2 Shield bus (10mm x 3mm)
- 3 Shield clamp
- 4 Cable shield

To attach the shield the mounting of shield bus carriers are necessary. The shield bus carrier (available as accessory) serves to carry the shield bus to connect cable shields.

1. ➤ Each System SLIO module has a carrier hole for the shield bus carrier. Push the shield bus carrier, until they engage into the module. With a flat mounting rail for adaptation to a flat mounting rail you may remove the spacer of the shield bus carrier.
2. ➤ Put your shield bus into the shield bus carrier.



3. ➤ Attach the cables with the accordingly stripped cable screen and fix it by the shield clamp with the shield bus.

2.5.2 Wiring periphery modules

Terminal module terminals



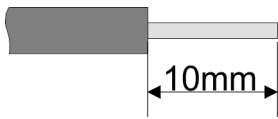
**CAUTION!**

**Do not connect hazardous voltages!**

If this is not explicitly stated in the corresponding module description, hazardous voltages are not allowed to be connected to the corresponding terminal module!

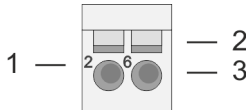
With wiring the terminal modules, terminals with spring clamp technology are used for wiring. The spring clamp technology allows quick and easy connection of your signal and supply lines. In contrast to screw terminal connections this type of connection is vibration proof.

**Data**

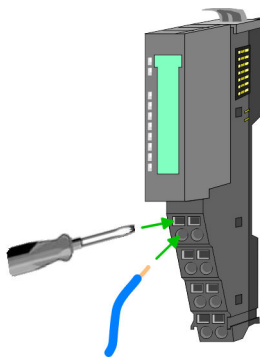
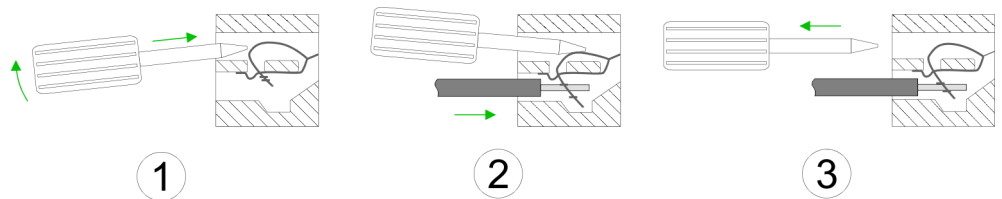


$U_{max}$  240V AC / 30V DC  
 $I_{max}$  10A  
 Cross section 0.08 ... 1.5mm<sup>2</sup> (AWG 28 ... 16)  
 Stripping length 10mm

**Wiring procedure**

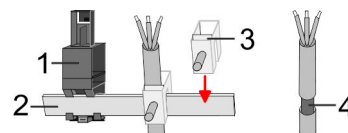


- 1 Pin number at the connector
- 2 Opening for screwdriver
- 3 Connection hole for wire



1. Insert a suited screwdriver at an angle into the square opening as shown. Press and hold the screwdriver in the opposite direction to open the contact spring.
2. Insert the stripped end of wire into the round opening. You can use wires with a cross section of 0.08mm<sup>2</sup> up to 1.5mm<sup>2</sup>
3. By removing the screwdriver, the wire is securely fixed via the spring contact to the terminal.

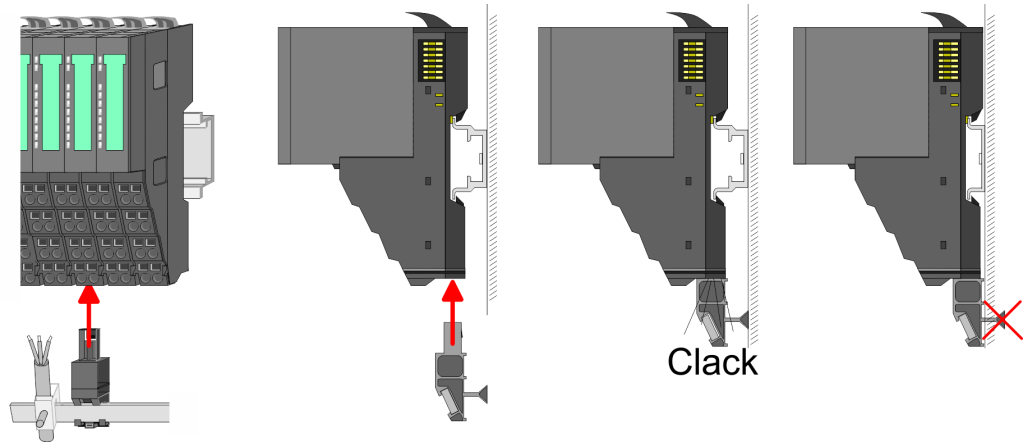
**Shield attachment**



- 1 Shield bus carrier
- 2 Shield bus (10mm x 3mm)
- 3 Shield clamp
- 4 Cable shield

To attach the shield the mounting of shield bus carriers are necessary. The shield bus carrier (available as accessory) serves to carry the shield bus to connect cable shields.

1. Each System SLIO module has a carrier hole for the shield bus carrier. Push the shield bus carrier, until they engage into the module. With a flat mounting rail for adaptation to a flat mounting rail you may remove the spacer of the shield bus carrier.
2. Put your shield bus into the shield bus carrier.



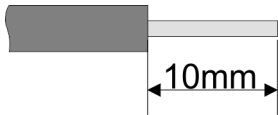
3. Attach the cables with the accordingly stripped cable screen and fix it by the shield clamp with the shield bus.

### 2.5.3 Wiring power modules

#### Terminal module terminals

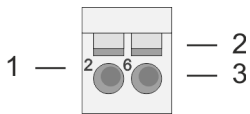
Power modules are either integrated to the head module or may be installed between the periphery modules. With power modules, terminals with spring clamp technology are used for wiring. The spring clamp technology allows quick and easy connection of your signal and supply lines. In contrast to screw terminal connections this type of connection is vibration proof.

#### Data

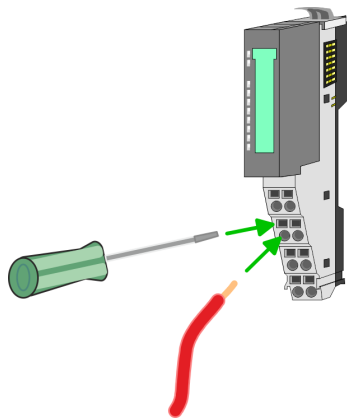
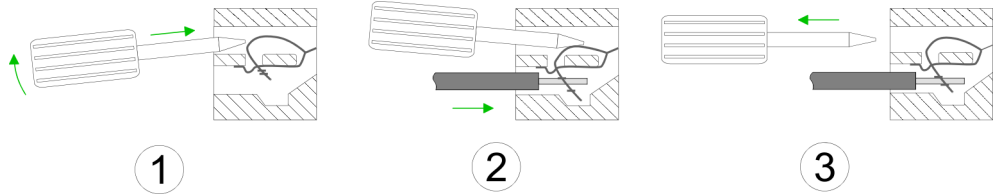


$U_{max}$	30V DC
$I_{max}$	10A
Cross section	0.08 ... 1.5mm <sup>2</sup> (AWG 28 ... 16)
Stripping length	10mm

**Wiring procedure**

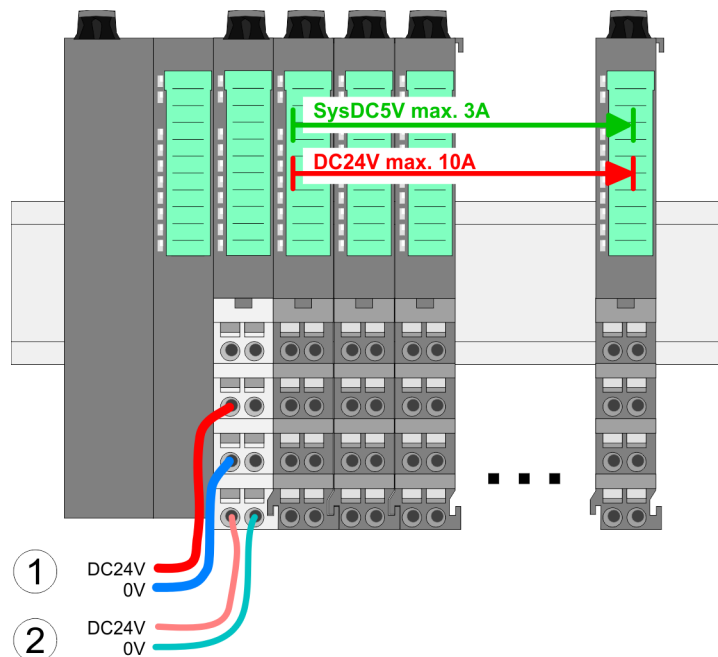


- 1 Pin number at the connector
- 2 Opening for screwdriver
- 3 Connection hole for wire



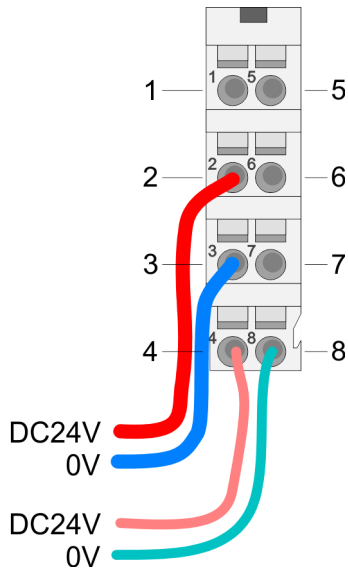
1. Insert a suited screwdriver at an angle into the square opening as shown. Press and hold the screwdriver in the opposite direction to open the contact spring.
2. Insert the stripped end of wire into the round opening. You can use wires with a cross section of 0.08mm<sup>2</sup> up to 1.5mm<sup>2</sup>
3. By removing the screwdriver, the wire is securely fixed via the spring contact to the terminal.

**Standard wiring**



- (1) DC 24V for power section supply I/O area (max. 10A)
- (2) DC 24V for electronic power supply bus coupler and I/O area

**PM - Power module**



For wires with a core cross-section of 0.08mm<sup>2</sup> up to 1.5mm<sup>2</sup>.

Pos.	Function	Type	Description
1	---	---	not connected
2	DC 24V	I	DC 24V for power section supply
3	0V	I	GND for power section supply
4	Sys DC 24V	I	DC 24V for electronic section supply
5	---	---	not connected
6	DC 24V	I	DC 24V for power section supply
7	0V	I	GND for power section supply
8	Sys 0V	I	GND for electronic section supply

I: Input



**CAUTION!**

Since the power section supply is not internally protected, it is to be externally protected with a fuse, which corresponds to the maximum current. This means max. 10A is to be protected by a 10A fuse (fast) respectively by a line circuit breaker 10A characteristics Z!



*The electronic power section supply is internally protected against higher voltage by fuse. The fuse is within the power module. If the fuse releases, its electronic module must be exchanged!*

**Fusing**

- The power section supply is to be externally protected with a fuse, which corresponds to the maximum current. This means max. 10A is to be protected with a 10A fuse (fast) respectively by a line circuit breaker 10A characteristics Z!
- It is recommended to externally protect the electronic power supply for head modules and I/O area with a 2A fuse (fast) respectively by a line circuit breaker 2A characteristics Z.
- The electronic power supply for the I/O area of the power module 007-1AB10 should also be externally protected with a 1A fuse (fast) respectively by a line circuit breaker 1A characteristics Z.

**State of the electronic power supply via LEDs**

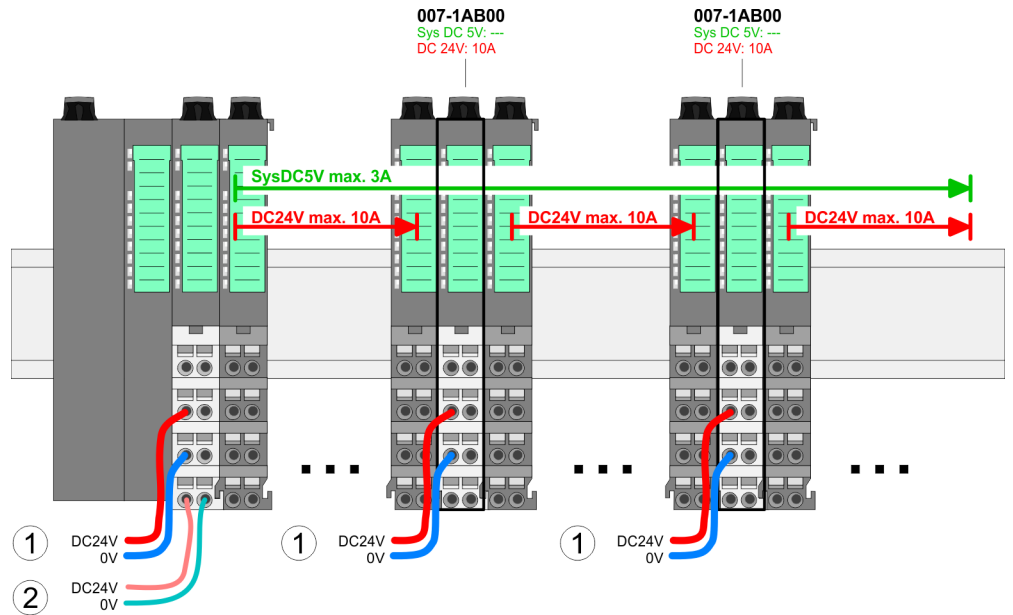
After PowerON of the System SLIO the LEDs RUN respectively MF get on so far as the sum current does not exceed 3A. With a sum current greater than 3A the LEDs may not be activated. Here the power module with the order number 007-1AB10 is to be placed between the peripheral modules.



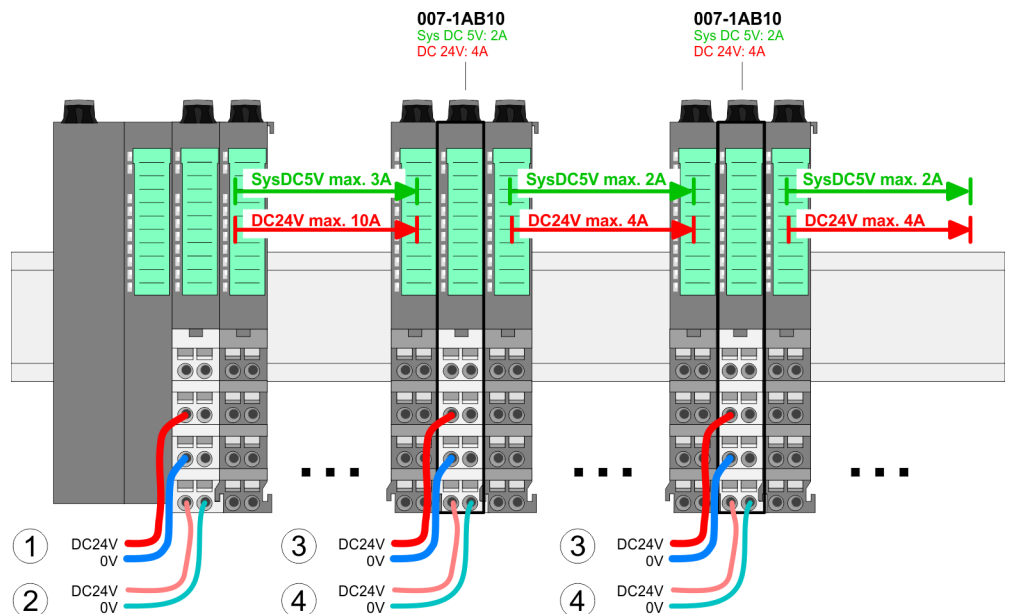
**Deployment of the power modules**

- If the 10A for the power section supply is no longer sufficient, you may use the power module from VIPA with the order number 007-1AB00. So you have also the possibility to define isolated groups.
- The power module with the order number 007-1AB10 is to be used if the 3A for the electronic power supply at the backplane bus is no longer sufficient. Additionally you get an isolated group for the DC 24V power section supply with max. 4A.
- By placing the power module 007-1AB10 at the following backplane bus modules may be placed with a sum current of max. 2A. Afterwards a power module is to be placed again. To secure the power supply, the power modules may be mixed used.

**Power module 007-1AB00**

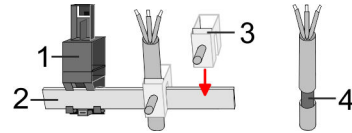


**Power module 007-1AB10**



- (1) DC 24V for power section supply I/O area (max. 10A)
- (2) DC 24V for electronic power supply bus coupler and I/O area
- (3) DC 24V for power section supply I/O area (max. 4A)
- (4) DC 24V for electronic power supply I/O area

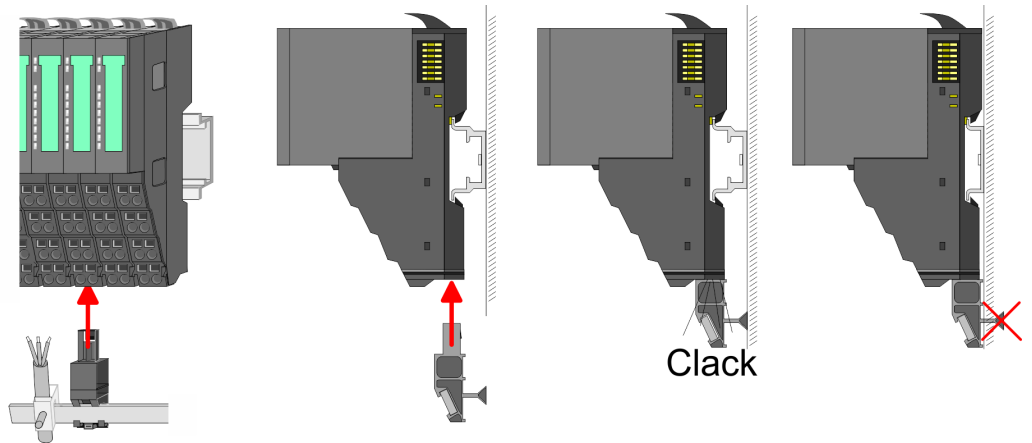
**Shield attachment**



- 1 Shield bus carrier
- 2 Shield bus (10mm x 3mm)
- 3 Shield clamp
- 4 Cable shield

To attach the shield the mounting of shield bus carriers are necessary. The shield bus carrier (available as accessory) serves to carry the shield bus to connect cable shields.

- 1. ➤ Each System SLIO module has a carrier hole for the shield bus carrier. Push the shield bus carrier, until they engage into the module. With a flat mounting rail for adaptation to a flat mounting rail you may remove the spacer of the shield bus carrier.
- 2. ➤ Put your shield bus into the shield bus carrier.



- 3. ➤ Attach the cables with the accordingly stripped cable screen and fix it by the shield clamp with the shield bus.

**2.6 Demounting**

**2.6.1 Demounting bus coupler**

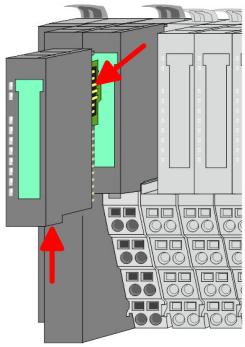
**Proceeding**



**CAUTION!**

Bus interface and power module may not be separated! Here you may only exchange the electronic module!

- 1. ➤ Power-off your system.
- 2. ➤ Remove if exists the wiring of the bus coupler.

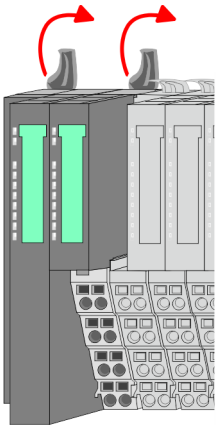


3. ➤



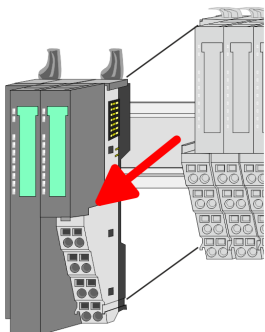
*For demounting and exchange of a (head) module or a group of modules, due to mounting reasons you always have to remove the electronic module right beside. After mounting it may be plugged again.*

Press the unlocking lever at the lower side of the just mounted right module near the bus coupler and pull it forward.



4. ➤

Turn all the locking lever of the bus coupler to be exchanged upwards.

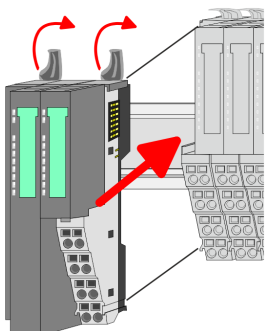


5. ➤

Pull the bus coupler forward.

6. ➤

For mounting turn all the locking lever of the bus coupler to be exchanged upwards.

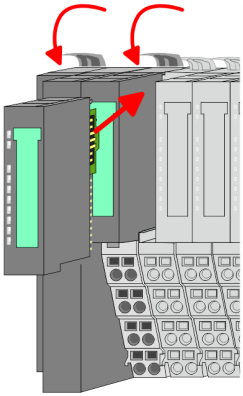


7. ➤

To mount the bus coupler put it to the left periphery module and push it, guided by the stripes, to the mounting rail.

8. ➤

Turn all the locking lever downward, again.



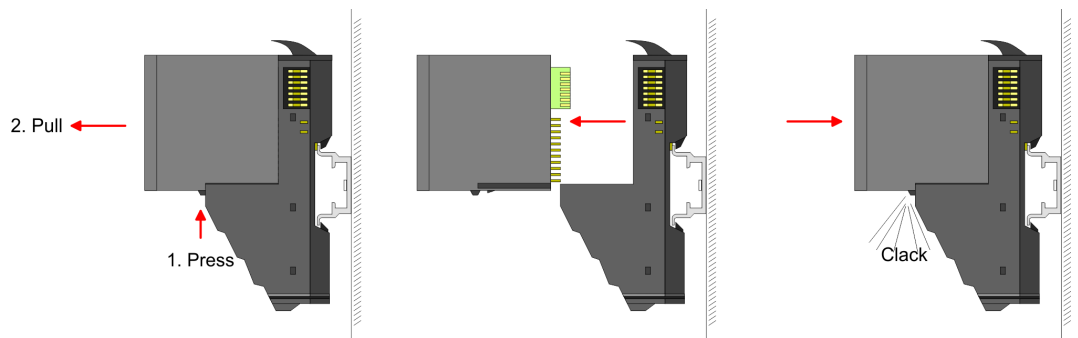
9. Plug again the electronic module, which you have removed before.
10. Wire your bus coupler.
  - ⇒ Now you can bring your system back into operation.

### 2.6.2 Demounting periphery modules

#### Proceeding

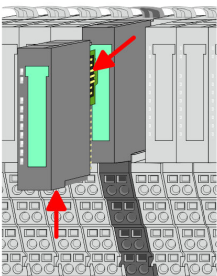
#### Exchange of an electronic module

1. Power-off your system.



2. For the exchange of a electronic module, the electronic module may be pulled forward after pressing the unlocking lever at the lower side of the module.
3. For installation plug the new electronic module guided by the strips at the lower side until this engages to the terminal module.
  - ⇒ Now you can bring your system back into operation.

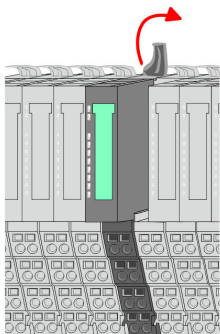
#### Exchange of a periphery module



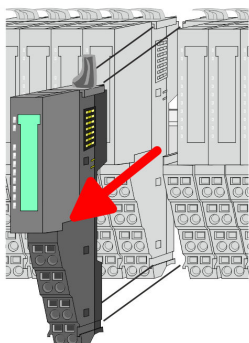
1. Power-off your system.
2. Remove if exists the wiring of the module.
- 3.

**i** For demounting and exchange of a (head) module or a group of modules, due to mounting reasons you always have to remove the electronic module right beside. After mounting it may be plugged again.

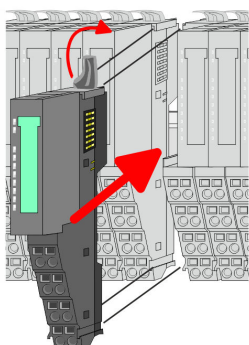
Press the unlocking lever at the lower side of the just mounted right module and pull it forward.



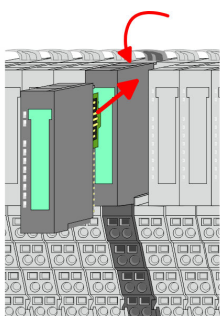
4. Turn the locking lever of the module to be exchanged upwards.



5. Pull the module.
6. For mounting turn the locking lever of the module to be mounted upwards.

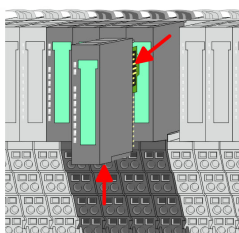


7. To mount the module put it to the gap between the both modules and push it, guided by the stripes at both sides, to the mounting rail.
8. Turn the locking lever downward, again.



9. Plug again the electronic module, which you have removed before.
10. Wire your module.
  - ⇒ Now you can bring your system back into operation.

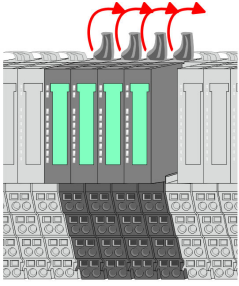
### Exchange of a module group



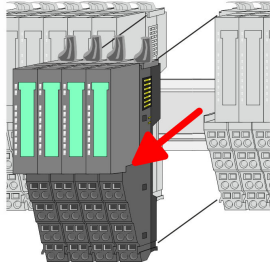
1. Power-off your system.
2. Remove if exists the wiring of the module group.
- 3.

**i** For demounting and exchange of a (head) module or a group of modules, due to mounting reasons you always have to remove the electronic module right beside. After mounting it may be plugged again.

Press the unlocking lever at the lower side of the just mounted right module near the module group and pull it forward.

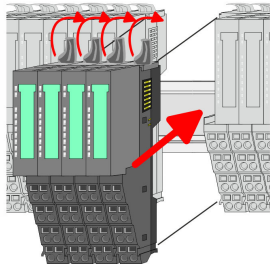


**4.** Turn all the locking lever of the module group to be exchanged upwards.



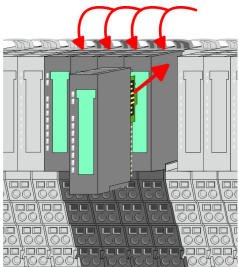
**5.** Pull the module group forward.

**6.** For mounting turn all the locking lever of the module group to be mounted upwards.



**7.** To mount the module group put it to the gap between the both modules and push it, guided by the stripes at both sides, to the mounting rail.

**8.** Turn all the locking lever downward, again.



**9.** Plug again the electronic module, which you have removed before.

**10.** Wire your module group.

⇒ Now you can bring your system back into operation.

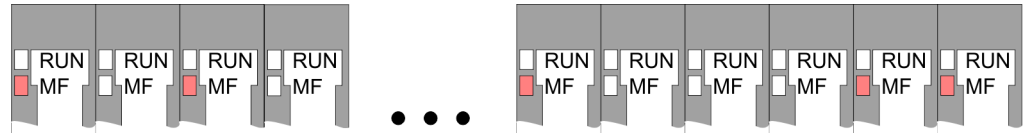
## 2.7 Trouble shooting - LEDs

### General

Each module has the LEDs RUN and MF on its front side. Errors or incorrect modules may be located by means of these LEDs.

In the following illustrations flashing LEDs are marked by ☼.

### Sum current of the electronic power supply exceeded

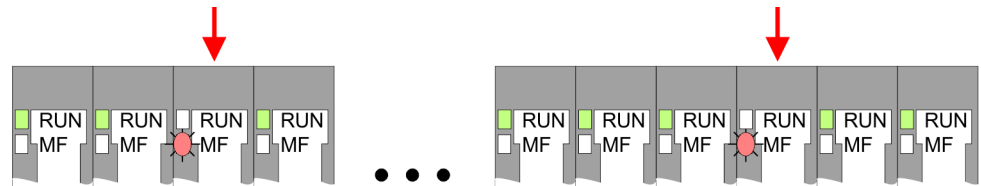


**Behaviour:** After PowerON the RUN LED of each module is off and the MF LED of each module is sporadically on.

**Reason:** The maximum current for the electronic power supply is exceeded.

**Remedy:** As soon as the sum current of the electronic power supply is exceeded, always place the power module 007-1AB10. ↪ Chap. 2.5.3 'Wiring power modules' page 22

### Error in configuration

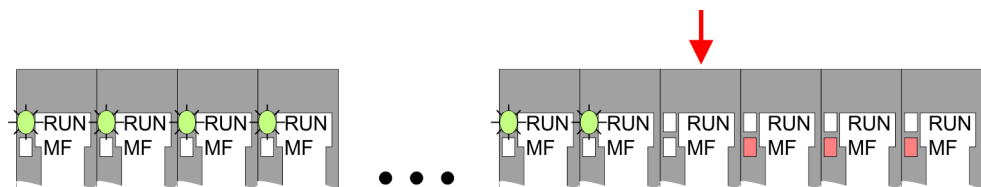


**Behaviour:** After PowerON the MF LED of one module respectively more modules flashes. The RUN LED remains off.

**Reason:** At this position a module is placed, which does not correspond to the configured module.

**Remedy:** Match configuration and hardware structure.

### Module failure



**Behaviour:** After PowerON all of the RUN LEDs up to the defective module are flashing. With all following modules the MF LED is on and the RUN LED is off.

**Reason:** The module on the right of the flashing modules is defective.

**Remedy:** Replace the defective module.

## 2.8 Installation guidelines

<b>General</b>	<p>The installation guidelines contain information about the interference free deployment of a PLC system. There is the description of the ways, interference may occur in your PLC, how you can make sure the electromagnetic compatibility (EMC), and how you manage the isolation.</p>
<b>What does EMC mean?</b>	<p>Electromagnetic compatibility (EMC) means the ability of an electrical device, to function error free in an electromagnetic environment without being interfered respectively without interfering the environment.</p> <p>The components of VIPA are developed for the deployment in industrial environments and meets high demands on the EMC. Nevertheless you should project an EMC planning before installing the components and take conceivable interference causes into account.</p>
<b>Possible interference causes</b>	<p>Electromagnetic interferences may interfere your control via different ways:</p> <ul style="list-style-type: none"><li>■ Electromagnetic fields (RF coupling)</li><li>■ Magnetic fields with power frequency</li><li>■ Bus system</li><li>■ Power supply</li><li>■ Protected earth conductor</li></ul> <p>Depending on the spreading medium (lead bound or lead free) and the distance to the interference cause, interferences to your control occur by means of different coupling mechanisms.</p> <p>There are:</p> <ul style="list-style-type: none"><li>■ galvanic coupling</li><li>■ capacitive coupling</li><li>■ inductive coupling</li><li>■ radiant coupling</li></ul>
<b>Basic rules for EMC</b>	<p>In the most times it is enough to take care of some elementary rules to guarantee the EMC. Please regard the following basic rules when installing your PLC.</p> <ul style="list-style-type: none"><li>■ Take care of a correct area-wide grounding of the inactive metal parts when installing your components.<ul style="list-style-type: none"><li>– Install a central connection between the ground and the protected earth conductor system.</li><li>– Connect all inactive metal extensive and impedance-low.</li><li>– Please try not to use aluminium parts. Aluminium is easily oxidizing and is therefore less suitable for grounding.</li></ul></li><li>■ When cabling, take care of the correct line routing.<ul style="list-style-type: none"><li>– Organize your cabling in line groups (high voltage, current supply, signal and data lines).</li><li>– Always lay your high voltage lines and signal respectively data lines in separate channels or bundles.</li><li>– Route the signal and data lines as near as possible beside ground areas (e.g. suspension bars, metal rails, tin cabinet).</li></ul></li></ul>



- Proof the correct fixing of the lead isolation.
  - Data lines must be laid isolated.
  - Analog lines must be laid isolated. When transmitting signals with small amplitudes the one sided laying of the isolation may be favourable.
  - Lay the line isolation extensively on an isolation/protected earth conductor rail directly after the cabinet entry and fix the isolation with cable clamps.
  - Make sure that the isolation/protected earth conductor rail is connected impedance-low with the cabinet.
  - Use metallic or metallised plug cases for isolated data lines.
- In special use cases you should appoint special EMC actions.
  - Consider to wire all inductivities with erase links.
  - Please consider luminescent lamps can influence signal lines.
- Create a homogeneous reference potential and ground all electrical operating supplies when possible.
  - Please take care for the targeted employment of the grounding actions. The grounding of the PLC serves for protection and functionality activity.
  - Connect installation parts and cabinets with your PLC in star topology with the isolation/protected earth conductor system. So you avoid ground loops.
  - If there are potential differences between installation parts and cabinets, lay sufficiently dimensioned potential compensation lines.

### Isolation of conductors

Electrical, magnetically and electromagnetic interference fields are weakened by means of an isolation, one talks of absorption. Via the isolation rail, that is connected conductive with the rack, interference currents are shunt via cable isolation to the ground. Here you have to make sure, that the connection to the protected earth conductor is impedance-low, because otherwise the interference currents may appear as interference cause.

When isolating cables you have to regard the following:

- If possible, use only cables with isolation tangle.
- The hiding power of the isolation should be higher than 80%.
- Normally you should always lay the isolation of cables on both sides. Only by means of the both-sided connection of the isolation you achieve high quality interference suppression in the higher frequency area. Only as exception you may also lay the isolation one-sided. Then you only achieve the absorption of the lower frequencies. A one-sided isolation connection may be convenient, if:
  - the conduction of a potential compensating line is not possible.
  - analog signals (some mV respectively  $\mu\text{A}$ ) are transferred.
  - foil isolations (static isolations) are used.
- With data lines always use metallic or metallised plugs for serial couplings. Fix the isolation of the data line at the plug rack. Do not lay the isolation on the PIN 1 of the plug bar!
- At stationary operation it is convenient to strip the insulated cable interruption free and lay it on the isolation/protected earth conductor line.
- To fix the isolation tangles use cable clamps out of metal. The clamps must clasp the isolation extensively and have well contact.
- Lay the isolation on an isolation rail directly after the entry of the cable in the cabinet. Lead the isolation further on to your PLC and don't lay it on there again!



#### CAUTION!

#### Please regard at installation!

At potential differences between the grounding points, there may be a compensation current via the isolation connected at both sides.

Remedy: Potential compensation line

## General data

**2.9 General data****Conformity and approval**

## Conformity

CE	2014/35/EU	Low-voltage directive
	2014/30/EU	EMC directive

## Approval

UL	-	Refer to Technical data
----	---	-------------------------

## others

RoHS	2011/65/EU	Restriction of the use of certain hazardous substances in electrical and electronic equipment
------	------------	---

**Protection of persons and device protection**

Type of protection	-	IP20
--------------------	---	------

## Electrical isolation

to the field bus	-	electrically isolated
------------------	---	-----------------------

to the process level	-	electrically isolated
----------------------	---	-----------------------

Insulation resistance	-	-
-----------------------	---	---

## Insulation voltage to reference earth

Inputs / outputs	-	AC / DC 50V, test voltage AC 500V
------------------	---	-----------------------------------

Protective measures	-	against short circuit
---------------------	---	-----------------------

**Environmental conditions to EN 61131-2**

## Climatic

Storage / transport	EN 60068-2-14	-25...+70°C
---------------------	---------------	-------------

## Operation

Horizontal installation hanging	EN 61131-2	0...+60°C
---------------------------------	------------	-----------

Horizontal installation lying	EN 61131-2	0...+55°C
-------------------------------	------------	-----------

Vertical installation	EN 61131-2	0...+50°C
-----------------------	------------	-----------

Air humidity	EN 60068-2-30	RH1 (without condensation, rel. humidity 10...95%)
--------------	---------------	--

Pollution	EN 61131-2	Degree of pollution 2
-----------	------------	-----------------------

Installation altitude max.	-	2000m
----------------------------	---	-------

## Mechanical

Oscillation	EN 60068-2-6	1g, 9Hz ... 150Hz
-------------	--------------	-------------------

Shock	EN 60068-2-27	15g, 11ms
-------	---------------	-----------

**Mounting conditions**

Mounting place	-	In the control cabinet
Mounting position	-	Horizontal and vertical

EMC	Standard	Comment
Emitted interference	EN 61000-6-4	Class A (Industrial area)
Noise immunity zone B	EN 61000-6-2	Industrial area
	EN 61000-4-2	ESD 8kV at air discharge (degree of severity 3), 4kV at contact discharge (degree of severity 2)
	EN 61000-4-3	HF field immunity (casing) 80MHz ... 1000MHz, 10V/m, 80% AM (1kHz) 1.4GHz ... 2.0GHz, 3V/m, 80% AM (1kHz) 2GHz ... 2.7GHz, 1V/m, 80% AM (1kHz)
	EN 61000-4-6	HF conducted 150kHz ... 80MHz, 10V, 80% AM (1kHz)
	EN 61000-4-4	Burst, degree of severity 3
	EN 61000-4-5	Surge, degree of severity 3 *

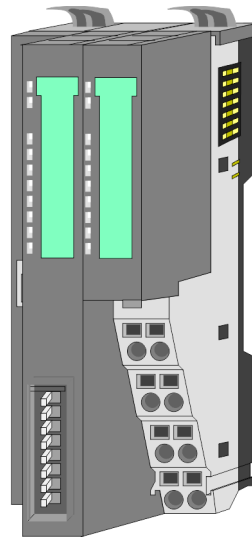
\*) Due to the high-energetic single pulses with Surge an appropriate external protective circuit with lightning protection elements like conductors for lightning and overvoltage is necessary.

## 3 Hardware description

### 3.1 Properties

#### Features

- Ethernet coupler with EtherNet/IP for max. 64 peripheral modules
- I/O access of up to 8 stations
- Online configuration via integrated Web server
- RJ45 jack 100BaseTX, 10BaseTX
- Automatic polarity and speed recognition (auto negotiation)
- Automatic recognition of parallel or crossed cable (auto crossover)
- Network LEDs for link/activity
- Status LEDs for Ready and Error

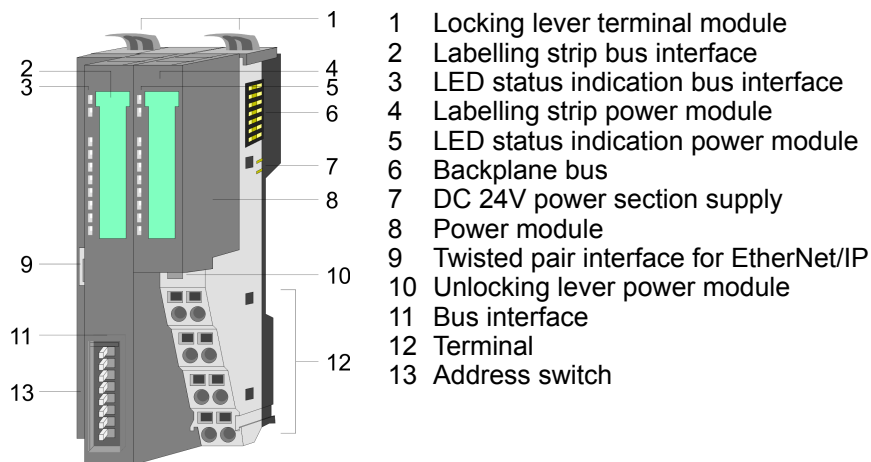


#### Order data

Type	Order number	Description
IM 053IP	053-1IP00	EtherNet/IP coupler for System SLIO

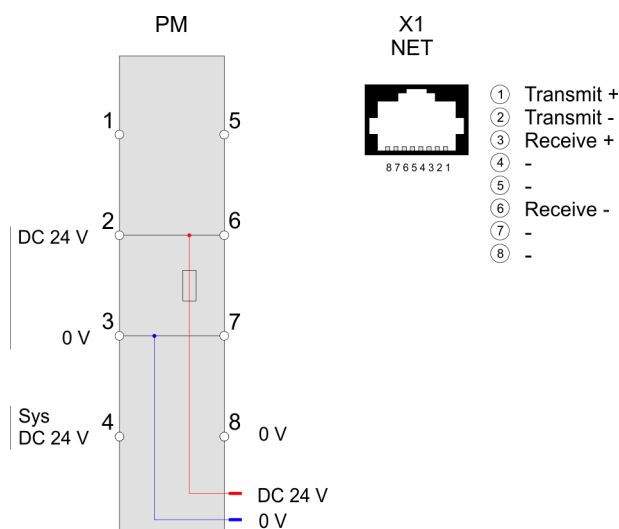
### 3.2 Structure

#### 053-1IP00



- 1 Locking lever terminal module
- 2 Labelling strip bus interface
- 3 LED status indication bus interface
- 4 Labelling strip power module
- 5 LED status indication power module
- 6 Backplane bus
- 7 DC 24V power section supply
- 8 Power module
- 9 Twisted pair interface for EtherNet/IP
- 10 Unlocking lever power module
- 11 Bus interface
- 12 Terminal
- 13 Address switch

#### 3.2.1 Interfaces

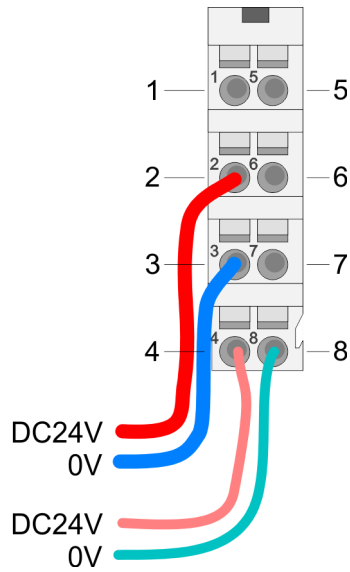


**CAUTION!**

Bus interface and power module of the bus coupler may not be separated!

Here you may only exchange the electronic module!

**PM - Power module**



For wires with a core cross-section of 0.08mm<sup>2</sup> up to 1.5mm<sup>2</sup>.

Pos.	Function	Type	Description
1	---	---	not connected
2	DC 24V	I	DC 24V for power section supply
3	0V	I	GND for power section supply
4	Sys DC 24V	I	DC 24V for electronic section supply
5	---	---	not connected
6	DC 24V	I	DC 24V for power section supply
7	0V	I	GND for power section supply
8	Sys 0V	I	GND for electronic section supply

I: Input

**EtherNet/IP interface X1**

EtherNet/IP interface to connect to a EtherNet/IP network. EtherNet/IP can be operated in star topology via an already existing company network. To operate an EtherNet/IP network at least 1 scanner (master) is required.

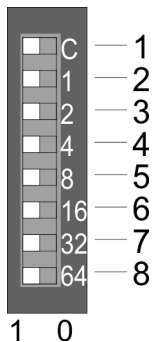
**3.2.2 Address switch**

**Setting the IP address via address switch**

The address switch serves for the configuration of the IP address. On delivery the switch 2 (Position 2) is switched to "1". Here the EtherNet/IP coupler has the following IP address data:

- Subnet mask: 255.255.255.0
- IP address: 192.168.1.1

The address switch has the following assignment:



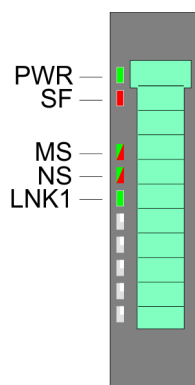
Position	Description
1	0 = DHCP off 1 = DHCP on 4. Octet (x) of the IP address 192.168.1.x (max. value for x = 127)
2	2 <sup>0</sup> = 1 (default switched to "1")
3	2 <sup>1</sup> = 2
4	2 <sup>2</sup> = 4
5	2 <sup>3</sup> = 8
6	2 <sup>4</sup> = 16
7	2 <sup>5</sup> = 32
8	2 <sup>6</sup> = 64



- Changes of the IP address only take effect on PowerON or an automatic reset. Changes during operation are not recognized!
- The IP configuration via the address switch is dominant. Configurations, which are set by EtherNet/IP respectively web server, are valid/active when all the switches of the address switch are in position "0"!

### 3.2.3 LEDs

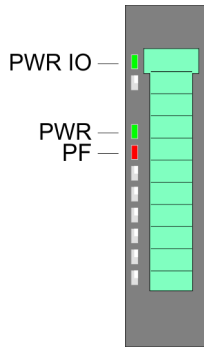
#### Bus-Interface



LED		Description
PWR	<input checked="" type="checkbox"/> green	Bus interface is power supplied.
SF	<input checked="" type="checkbox"/> red	Error at Ethernet or at the System SLIO bus. Please perform a power cycle.
	<input checked="" type="checkbox"/> red 2Hz	Unrecoverable error <sup>1</sup> .
MS	<input checked="" type="checkbox"/> green <input type="checkbox"/>	Module state: Operational.
	<input checked="" type="checkbox"/> green 2Hz <input type="checkbox"/>	Module state: Standby (Idle) - BASP activated.
	<input type="checkbox"/> <input checked="" type="checkbox"/> red	Unrecoverable error <sup>1</sup> . Please perform a power cycle.
	<input type="checkbox"/> <input checked="" type="checkbox"/> red 2Hz	Recoverable error (e.g. error in configuration).
	<input checked="" type="checkbox"/> green <input checked="" type="checkbox"/> red	Module state: self-test (1x blinking: green, red).
NS	<input checked="" type="checkbox"/> <input type="checkbox"/>	Network state: EtherNet/IP communication: RUN.
	<input checked="" type="checkbox"/> green 2Hz <input type="checkbox"/>	There is no connection to a Scanner.
	<input type="checkbox"/> <input checked="" type="checkbox"/> red 2Hz	Recoverable Ethernet/IP error.
	<input checked="" type="checkbox"/> green <input checked="" type="checkbox"/> red	Module state: self-test (1x blinking: green, red).
LNK1	<input checked="" type="checkbox"/> green	Network activity
	<input type="checkbox"/>	No network activity

<sup>1</sup>) Please contact VIPA.

LEDs power module



PWR IO	PWR	PF	Description
<input checked="" type="checkbox"/> green	<input checked="" type="checkbox"/> green	<input checked="" type="checkbox"/> red	
<input checked="" type="checkbox"/>	X	<input type="checkbox"/>	Power section supply OK
<input checked="" type="checkbox"/>	<input checked="" type="checkbox"/>	<input type="checkbox"/>	Electronic section supply OK
X	X	<input checked="" type="checkbox"/>	Fuse electronic section supply defective
not relevant: X			



### 3.3 Technical data

Order no.	053-1IP00
Type	IM 053IP - EtherNet/IP slave
Module ID	-
<b>Technical data power supply</b>	
Power supply (rated value)	DC 24 V
Power supply (permitted range)	DC 20.4...28.8 V
Reverse polarity protection	✓
Current consumption (no-load operation)	95 mA
Current consumption (rated value)	0.95 A
Inrush current	3.9 A
$I^2t$	0.14 A <sup>2</sup> s
Max. current drain at backplane bus	3 A
Max. current drain load supply	10 A
Power loss	3 W
<b>Status information, alarms, diagnostics</b>	
Status display	yes
Interrupts	yes, parameterizable
Process alarm	yes, parameterizable
Diagnostic interrupt	yes, parameterizable
Diagnostic functions	yes, parameterizable
Diagnostics information read-out	possible
Supply voltage display	green LED
Service Indicator	Bicolour green/red LED
Group error display	red SF LED
Channel error display	none
<b>Hardware configuration</b>	
Racks, max.	1
Modules per rack, max.	64
Number of digital modules, max.	64
Number of analog modules, max.	64
<b>Communication</b>	
Fieldbus	EtherNet/IP
Type of interface	Ethernet 10/100 MBit
Connector	RJ45
Topology	Star topology
Electrically isolated	✓

## Technical data

<b>Order no.</b>	<b>053-1IP00</b>
Number of participants, max.	-
Node addresses	IP V4 address
Transmission speed, min.	10 Mbit/s
Transmission speed, max.	100 Mbit/s
Address range inputs, max.	1 KB
Address range outputs, max.	1 KB
Number of TxPDOs, max.	-
Number of RxPDOs, max.	-
<b>Housing</b>	
Material	PPE / PPE GF10
Mounting	Profile rail 35 mm
<b>Mechanical data</b>	
Dimensions (WxHxD)	48.5 mm x 109 mm x 76.5 mm
Net weight	152.5 g
Weight including accessories	152.5 g
Gross weight	170 g
<b>Environmental conditions</b>	
Operating temperature	0 °C to 60 °C
Storage temperature	-25 °C to 70 °C
<b>Certifications</b>	
UL certification	yes
KC certification	yes

## 4 Deployment

### 4.1 Basics EtherNet/IP

#### General

EtherNet/IP (Ethernet Industrial Protocol) is an open standard for industrial networks, which is real-time capable. EtherNet/IP is developed by ODVA (Open DeviceNet Vendor Association) and is standardized in IEC 61158. Especially in the U.S. market EtherNet/IP is a standard in communication.

#### EtherNet/IP

EtherNet/IP bases on TCP/IP. As user protocol CIP (Common Industrial Protocol) is used. CIP bases on a object model, which consists of classes, attributes, methods, states and instances. In contrast to the classical source-destination model, EtherNet/IP uses a modern producer/consumer model that requires data packets with identifier fields for the identification of the data. This approach caters for multiple priority levels, more efficient transfers of I/O data and multiple consumers for the data. A device that has data to send produces the data on the network together with an identifier. All devices requiring data listen for messages. When devices recognize a suitable identifier, they act and consume the respective data.

Via EtherNet/IP 2 types of messages are transported:

- Implicit communication - Messages for time-critical and control-oriented data, which are exchanged in a single or multiple cyclic connections. This connection is especially used for I/O data. For this the UDP protocol is used.
- Explicit communication - Here multipurpose point-to-point communication paths between two devices can be established. These are used in the configuration of the physical coupler and for diagnostics. This data are transferred with the TCP/IP protocol.

#### EtherNet/IP in the ISO/OSI layer model

The so called ISO/OSI layer model is generally accepted for the standardization of computer communication. The layer model is based upon seven layers with guidelines for the deployment of hard- and software.


Layer	Function	Protocols	
Layer 7	Application Layer (application)	CIP	
Layer 6	Presentation Layer (presentation)		
Layer 5	Session Layer (session)		
Layer 4	Transport Layer (transport)	TCP	UDP
Layer 3	Network Layer (network)	IP	
Layer 2	Data Link Layer (security)	Ethernet MAC	
Layer 1	Physical Layer (bit transfer)	Ethernet	

#### Transfer medium

EtherNet/IP uses as transfer medium Ethernet cable.

EtherNet/IP can be operated in star topology via an already existing company network. To operate an EtherNet/IP network at least 1 scanner (master) is required.

The number of EtherNet/IP interface modules (slaves) is only limited by the number of available IP addresses and the performance of the scanner.

<b>Addressing</b>	All stations of the network must be uniquely identified by means of an IP address. Every EtherNet/IP device has addressing facilities.
<b>Terms</b>	<p>O - <b>Originator</b>: Origin station, which is responsible for the connection to the target station.</p> <p>T - <b>Target</b>: Target station to which a connection is established.</p> <p>O→T - Data direction origin station to target station.</p> <p>T→O - Data direction target station to origin station</p>
<b>Application types</b>	<p>Of the Application types <i>Listen Only</i>, <i>Input Only</i>, <i>Exclusive Owner</i> and <i>Redundant Owner</i> are supported from VIPA <i>Listen Only</i> and <i>Exclusive Owner</i>.</p> <ul style="list-style-type: none"> <li>■ Listen Only <ul style="list-style-type: none"> <li>– If a connection has an application type of <i>Listen Only</i>, it shall be dependent on just sending application connection for its existence. For a scheduled <i>Listen Only</i> connection, the FORWARD_OPEN path shall contain a schedule segment. The O→T connection shall use the heartbeat format. A target may accept multiple <i>listen only</i> connections which specify the same T→O path. Devices that wish to listen to multicast data without providing configuration may use this application type. If the last connection on which a <i>Listen Only</i> connection depends is closed or times out, the target device shall stop sending the T→O data, which will result in the <i>listen only</i> connection being timed out by the originator device.</li> </ul> </li> <li>■ Exclusive Owner <ul style="list-style-type: none"> <li>– If a connection has an application type of <i>Exclusive Owner</i>, it shall not be dependent on any other connection for its existence. For scheduled <i>Exclusive Owner</i> connections, the FORWARD_OPEN path shall contain a schedule segment. O→T application data that controls outputs may be present. A target may only accept one <i>exclusive owner</i> connection which specifies the same O→T path. In addition, the target may accept <i>listen only</i> and <i>input only</i> connections that use the same multicast T→O data. The term <i>connection owner</i> shall refer to the connection originator whose O→T packets are being consumed by the target object. The term <i>owning connection</i> shall refer to the connection associated with connection owner. When an <i>Exclusive Owner</i> connection timeout occurs in a target device, the target device shall stop sending the associated T→O data. The T→O data must not be sent even if one or more <i>input only</i> connections exist. This requirement exists to signal the originator of the <i>exclusive owner</i> connection that the O→T data is no longer being received by the target device.</li> </ul> </li> </ul> <div style="border: 1px solid #ccc; background-color: #f0f0f0; padding: 10px; margin-top: 10px;">  <p><i>One possible way to prevent an Exclusive Owner connection timeout in a target device from stopping the T→O production is for the target device to also support production of the T→O data as point to point for the Exclusive Owner connection.</i></p> </div>
<b>EDS file</b>	<p>From VIPA there is an EDS (Electronic Data Sheet) files for the EtherNet/IP coupler available. There the scanner can find all the information to establish a communication connection to the EtherNet/IP coupler. This file may be found in the ‘<i>Service area → Downloads → Config files → Ethernet/IP</i>’ of <a href="http://www.vipa.com">www.vipa.com</a>. Please install the EDS file in your configuration tool. Details on the installation of the EDS file are available from the manual supplied with your configuration tool.</p>

## 4.2 Basics - IP address and subnet

### IP address structure

Exclusively IPv4 is supported. At IPv4 the IP address is a 32bit address that must be unique within the network and consists of 4 numbers that are separated by a dot. Every IP address is a combination of a *Net-ID* and a *Host-ID* and has the following

Structure: **xxx.xxx.xxx.xxx**

Range: 000.000.000.000 to 255.255.255.255

### Net-ID, Host-ID

The **Network-ID** identifies a network res. a network controller that administrates the network. The Host-ID marks the network connections of a participant (host) to this network.

### Subnet mask

The Host-ID can be further divided into a *Subnet-ID* and a new *Host-ID* by using a bit for bit AND assignment with the Subnet mask.

The area of the original Host-ID that is overwritten by 1 of the Subnet mask becomes the Subnet-ID, the rest is the new Host-ID.

Subnet mask	binary all "1"		binary all "0"
IPv4 address	Net-ID	Host-ID	
Subnet mask and IPv4 address	Net-ID	Subnet-ID	new Host-ID

### Subnet

A TCP-based communication via point-to-point, hub or switch connection is only possible between stations with identical Network-ID and Subnet-ID! Different area must be connected with a router. The subnet mask allows you to sort the resources following your needs. This means e.g. that every department gets an own subnet and thus does not interfere another department.

### Address classes

For IPv4 addresses there are five address formats (class A to class E) that are all of a length of 4byte = 32bit.

Class A	0	Network-ID (1+7bit)	Host-ID (24bit)
Class B	10	Network-ID (2+14bit)	Host-ID (16bit)
Class C	110	Network-ID (3+21bit)	Host-ID (8bit)
Class D	1110	Multicast group	
Class E	11110	Reserved	

The classes A, B and C are used for individual addresses, class D for multicast addresses and class E is reserved for special purposes. The address formats of the 3 classes A, B, C are only differing in the length of Network-ID and Host-ID.

### Private IP networks

These addresses can be used as net-ID by several organizations without causing conflicts, for these IP addresses are neither assigned in the Internet nor are routed in the Internet. To build up private IP-Networks within the Internet, RFC1597/1918 reserves the following address areas:

Setting the IP address

Network class	from IP	to IP	Standard subnet mask
A	10. <u>0.0.0</u>	10. <u>255.255.255</u>	255. <u>0.0.0</u>
B	172.16. <u>0.0</u>	172.31. <u>255.255</u>	255.255. <u>0.0</u>
C	192.168. <u>0.0</u>	192.168.255. <u>255</u>	255.255.255. <u>0</u>

(The Host-ID is underlined.)

**Reserved Host-IDs**

Some Host-IDs are reserved for special purposes.

Host-ID = "0"	Identifier of this network, reserved!
Host-ID = maximum (binary complete "1")	Broadcast address of this network



*Never choose an IP address with Host-ID=0 or Host-ID=maximum! (e.g. for class B with subnet mask = 255.255.0.0, the "172.16.0.0" is reserved and the "172.16.255.255" is occupied as local broadcast address for this network.)*

**4.3 Setting the IP address**

**Setting possibilities**

- Setting the IP address via web server
- Setting the IP address via address switch
- Setting the IP address via standard object class



- *With the EtherNet/IP coupler you should always use a static IP address.*
- *If the EtherNet/IP coupler is configured via DHCP, it must supply a valid gateway address, otherwise the IP address is not accepted!*
- *Please consider when using a DHCP server that the IP address assignment (lease) is not changed in the DHCP server. Otherwise, after a restart of the EtherNet/IP coupler the coupler can not be found by the EtherNet/IP scanner.*

**Setting the IP address via web server**

On delivery the EtherNet/IP coupler has the following IP address data:

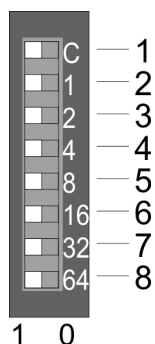
Subnet mask:	255.255.255.0
IP address:	192.168.1.1

With this IP address the integrated web server can be accessed. There the IP address can be changed.

**Setting the IP address via address switch**

The address switch serves for the configuration of the IP address. On delivery the switch 2 (Position 2) is switched to "1". Here the EtherNet/IP coupler has the following IP address data:

- Subnet mask: 255.255.255.0
- IP address: 192.168.1.1



The address switch has the following assignment:

Position	Description
1	0 = DHCP off 1 = DHCP on
4	4. Octet (x) of the IP address 192.168.1.x (max. value for x = 127)
2	$2^0 = 1$ (default switched to "1")
3	$2^1 = 2$
4	$2^2 = 4$
5	$2^3 = 8$
6	$2^4 = 16$
7	$2^5 = 32$
8	$2^6 = 64$



- Changes of the IP address only take effect on PowerON or an automatic reset. Changes during operation are not recognized!
- The IP configuration via the address switch is dominant. Configurations, which are set by EtherNet/IP respectively web server, are valid/active when all the switches of the address switch are in position "0"!

### Setting the IP address via standard object class

The EtherNet/IP coupler supports the setting of the IP address by means of the standard object class TCP/IP (0xF5). ↪ Chap. 4.8 'EtherNet/IP - Objects' page 68



*The setting of the IP address with the class 0xF5 is not possible if the IP address was configured via the address switches. First you have to disable DHCP, if you want to assign a static IP address via EtherNet/IP and DHCP was enabled by means of EtherNet/IP or web server, before!*

## 4.4 Operating modes

### Overview

The EtherNet / IP coupler can take the following operating states: which are described below:

- *Selftest* mode
- *Idle* mode
- *Operational* mode
- *Error* mode

Run/Idle header functionality is supported. Here you have the possibility to establish and release a communication connection by means of the scanner software.

### Selftest mode

After PowerON the EtherNet/IP coupler executes a selftest in the *Selftest* mode. With a successful test the EtherNet/IP coupler automatically switches to the *Idle* mode and shows this by the blinking green MS LED.

### Idle mode

In the *Idle* mode the EtherNet/IP coupler is in standby. The coupler waits for scanner connections. In Idle mode BASP (**B**efehls**a**usgab**e**s**p**er**r**e i.e. command output disable) is activated, this means all the module outputs are switched off and the inputs are not read.

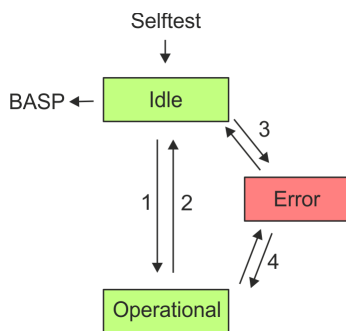
### Operational mode

As soon as at least one scanner establishes a communication connection to the EtherNet/IP coupler, the coupler switches to *Operational* mode. In *Operational* mode BASP is de-activated. The coupler copies the output data received from the scanner to its outputs and transmits the input values to the scanners.

### Error-Mode

As soon as an error occurs during startup or operation the EtherNet/IP coupler switches to *Error* mode and shows this via LEDs. Here BASP is activated.

### Transitions



- 1 Transition from *Idle* to *Operational*: As soon as a communication connection to at least one scanner exists respectively at least one scanner is in "Run mode".
- 2 Transition *Operational* to *Idle*: As soon there is no communication connection to a scanner respectively every scanner is in "Idle mode". With the release of the last communication connection by the scanner, the EtherNet/IP coupler automatically switches to *Idle* mode.
- 3 With a configuration error e.g. in the FORDWARD\_OPEN *Config Assembly*, the EtherNet/IP coupler switches directly from *Idle* mode to *Error* mode and shows this by the blinking red MS LED.
- 4 If e.g. the Ethernet cable is removed during operation the EtherNet/IP coupler switches directly from *Operational* mode to *Error* mode. BASP is activated. By plugging the Ethernet cable the EtherNet/IP coupler automatically return to *Operational* mode, if an communication connection to a scanner still exists. Otherwise it switches to *Idle* mode.



## 4.5 Web server

### Access via IP address

The integrated web server can be accessed by means of this IP address data and these may be changed there. On delivery the EtherNet/IP coupler has the following IP address data:

Subnet mask:	255.255.255.0
IP address:	192.168.1.1



*Please consider the System SLIO power and clamp modules do not have any module ID. These may not be recognized by the EtherNet/IP coupler and so are not listed and considered during slot allocation. Further within EtherNet/IP the slots are designated a 'EtherNet/IP-Slot'. The counting always begins with 0.*

### Structure of the web page

The web page is built dynamically and depends on the number of modules, which are connected to the EtherNet/IP coupler.

The screenshot shows a web interface with a module list on the left and a detailed information table for a selected device on the right. The module list includes:

- Device (... 053-1IP00)
- [A] Module 1 (... 021-1BD00)
- [A] Module 2 (... 022-1BD00)

The detailed information table for the selected device is:

Name	Value
Ordering Info	053-1IP00
Serial	00103265
Version	01V30.001
HW Revision	01
Software	01

- [1] Module list: EtherNet/IP coupler and System SLIO modules in installed order
- [2] Functions for the module selected in the *module list*
- [3] Information respectively input area of the corresponding function



*For fast diagnostics, missing or wrong configured modules are represented red coloured in the module list after refreshing the web page.*

Web server

**Web page of the selected EtherNet/IP coupler**

• Device (... 053-1IP00) ←  
 [A] Module 1 (... 021-1BD00)  
 [A] Module 2 (... 022-1BD00)

Info | Data | Parameter | Security | IP | Firmware | Configuration

**Device (... 053-1IP00) information**

Name	Value
Ordering Info	053-1IP00
Serial	00103265
Version	01V30.001
HW Revision	01
Software	01

**Info** Here order number, serial number and the version of firmware and hardware of the EtherNet/IP coupler are listed.

**Info - Expert View** [Expert View] takes you to the advanced "Expert View".  
 ↗ *Chap. 4.7 'Deployment of FORWARD\_OPEN' page 60*

**Example: 022-1BF00**

Configuration Bytes	
Total Bytes Needed:	13
Forward Open Commands:	0100 <i>CMD 1: Ignore Webconfig</i>
	030101 <i>CMD 2: Number of modules (1)</i>
	0506C8AF0601 01 00 <i>CMD 3: SetModuleType at Pos 3</i>
Forward Open Commands:	0100030101010506C8AF06010100000
	00000000000000000000000000000000
	00000000000000000000000000000000
	...
Download forward open command	
	<b>[Download File]</b>
<b>[Overview]</b>	

**Download File**


Via *Download file* you are able to save the module data.

**Data** Here the size of the process output and process input image is shown. The size information can be used when using dynamic assemblies. ↗ *Chap. 4.8 'EtherNet/IP - Objects' page 68*

**Parameter**

Please note that as of version 2.18, the functionality has changed compared to older firmware versions!

If there is an active connection between the EtherNet/IP coupler and the scanner, the current state of the parameter is displayed. If the EtherNet/IP coupler is not connected, you can see here the parameters stored internally as set points respectively web configuration.

- Display stored config
  - If this parameter is not activated, changes are made to the module with the [Apply] button when modifying the module parameters. An '[A]' is pre-set for "Actual" and the actual values are displayed.
  - If this parameter is enable, the configuration stored in the flash is displayed when the EtherNet/IP coupler is started. With [Apply], the values are transferred to the retentive memory. If this parameter is set, the web server displays the configuration as it is currently stored in the retentive memory. This is indicated in the module list on the left by a preceding '[R]' for "Retentive".
- Always send transmit address
  - If this parameter is enabled, in FORWARD\_OPEN the EtherNet/IP coupler always responds with T→O IP Address. You should enable this parameter with the deployment of a scanner, which was specified for an older standard.
- Enable default values  Chap. 4.7 'Deployment of FORWARD\_OPEN' page 60
  - If this parameter is enabled, the last active output image is retained in case of a scanner loss.
  - If this parameter is disabled, BASP is activated, this means all the module outputs are switched off and the inputs are not read.
- Number of expected connections
  - Minimum number of activated connections (scanner, adapter)
  - The adapter switches to BASP if the number of expected configured connections is not reached. If 2 is set, BASP is not reset until two scanners are connected. The smallest permissible value is 1.

**Security**

All functions for the writing access to the EtherNet/IP coupler can be secured by a password.

**IP**

Here you can enter IP address data for the EtherNet/IP coupler. Only if the bus is in BASP, an input is possible, this means no scanner is connected or every connected scanner is in Idle mode. Otherwise the input fields are de-activated but the settings are shown. For valid IP address data please contact your system administrator. Directly after entering the IP address will be accepted; the web server can now only be reached via the new IP address.

**Firmware****CAUTION!**

- When installing a new firmware you have to be extremely careful. Under certain circumstances you may destroy the IM 053-1IP00, for example if the voltage supply is interrupted during transfer or if the firmware file is defective. In this case, please call the VIPA Hotline!
- Please regard that the version of the update firmware has to be different from the existing firmware otherwise no update is executed.



*Please note that a firmware update is only possible if no active connection to the Ethernet coupler is established.*

1. ➤ You can find current firmware versions at [www.vipa.com](http://www.vipa.com) in the service area.
2. ➤ Select the Px000204.pkg file for download and load it into your working directory.
3. ➤ Click at 'Firmware' in the web server.
4. ➤ Navigate to your work directory and load the file Px000204.pkg to the IM 053-1IP00.



- After the package has been completely transferred to the IM 053-1IP00, the firmware update starts automatically. Here the SF and MT LEDs blink alternately.
- During this process, the IM 053-1IP00 must never be disconnected from the power supply!

5. ➤ When the update is finished all the red LEDs are switched on!
6. ➤ After this perform a power cycle or a soft reset (via Identity (0x01) and "0").
  - ⇒ This will apply your new firmware file.

## Configuration

In this dialog field you have the possibility to store the current module configuration or to import a module configuration. With [Delete] the parameterization of all the modules may be deleted in the EtherNet/IP coupler.

- Deactivate setting mode
  - The function is not supported by the IM 053-1IP00.
- Export station configuration
  - With [Apply] a window is opened and shows the configuration as XML. Select 'File ➔ Save as' and save the current configuration as XML file.
- Import station and modules configuration
  - Select with [Search...] the according XML file and load this with [Load]. While loading the parameters of the EtherNet/IP coupler and the modules are loaded.
- Import modules configuration
  - Select with [Search...] the according XML file and load this with [Load]. While loading only the parameters of the modules are loaded. The parameters of the EtherNet/IP coupler further exist.
- Save configuration of all modules
  - With [Apply] the current configuration is retentive stored in the EtherNet/IP coupler. If the current module ID deviates from the just configured module ID after a connection establishment, the EtherNet/IP coupler does not go into RUN and shows the error on its web page.
- Delete configuration of all modules
  - With [Delete] the configuration in the EtherNet/IP coupler may be deleted.



*Please consider that a retentive saved configuration is only loaded when a scanner has set up a connection. Otherwise, you see the default parameters after a reboot.*

*Only there is a configuration for a module, this may be used to check preset and current configuration. If the current configuration differs from the preset (e.g. module was removed) the system reports an error and does not go to RUN. If the current configuration is changed during operation by plugging respectively removing a module, the EtherNet/IP coupler switches to STOP. Then a power cycle is necessary.*

**Web page with selected module**

The screenshot shows a web interface with a left sidebar containing a list of modules: 'Device (... 053-1IP00)', '[R]Module 1 (... 021-1BD00)', and '[R]Module 2 (... 022-1BF00)'. A red arrow points from the selected 'Module 1' to the main content area. The main area has tabs for 'Info', 'Data', and 'Parameter'. The 'Info' tab is active, displaying 'Module 1 (... 021-1BD00) information' and a table:

Name	Value
Ordering Info	021-1BD00
Serial	00103265
Version	01V30.001
HW Revision	01

**Info**

Here product name, order number, serial number, firmware version and hardware state number of the according module are listed.

**Info - Expert View**

[Expert View] takes you to the advanced "Expert View".  
 ↗ *Chap. 4.7 'Deployment of FORWARD\_OPEN' page 60*

**Example: 022-1BF00**

Configuration Bytes	
Total Bytes Needed:	13
Forward Open Commands:	0100 <i>CMD 1: Ignore Webconfig</i>
	030101 <i>CMD 2: Number of modules (1)</i>
	0506C8AF0601 01 00 <i>CMD 3: SetModuleType at Pos 3</i>
Forward Open Commands:	0100030101010506C8AF06010100000
	00000000000000000000000000000000
	00000000000000000000000000000000
	...
Download forward open command	
	[Download File]
[Overview]	

**Download File**

Via *Download file* you are able to save the module data.

**Data**

At *Data* the states of the inputs respectively outputs are listed.

---

Web server

**Parameter**

If available the parameter data of the corresponding module may be shown and changed if necessary. Here BASP must be activated the EtherNet/IP coupler.

↳ *'Idle mode' page 48*

With [Apply], the parameters are not written retentively to the module and are active. When the coupler is restarted, the parameters are cleared again.

To store the parameters permanently you have to save the configuration with *'Configuration → Save current Device Parameters*

*→ Module Parameters into remanent memory'* afterwards.

↳ *'Configuration' page 52*

## 4.6 Accessing the System SLIO

### 4.6.1 Overview

- The EtherNet/IP coupler can control maximally 64 System SLIO modules.
- A System SLIO module can contain 1 ... 60byte I/O data.
- For the transport of this data stream, the data must be divided into EtherNet/IP packages and encapsulated.
  - Each package starts with the interrupt flags (1byte). With a pending hardware interrupt respectively diagnostics interrupt the according flag is set.
  - Behind the interrupt flags there is the length ModLen located in the data stream followed by the I/O data of the modules in plugged sequence. Information concerning the allocation of the I/O area of a module may be found in the description of the corresponding System SLIO module.

From VIPA you may receive an EDS file (Electronic Data Sheet) for your EtherNet/IP coupler. The file may be found in the service area at [www.vipa.com](http://www.vipa.com). Please install the EDS file in your configuration tool. Details on the installation of the EDS file are available in the manual supplied with your configuration tool.



*Should there be unstable connections due to timeouts, so you can make the following settings after installing the EDS file:*

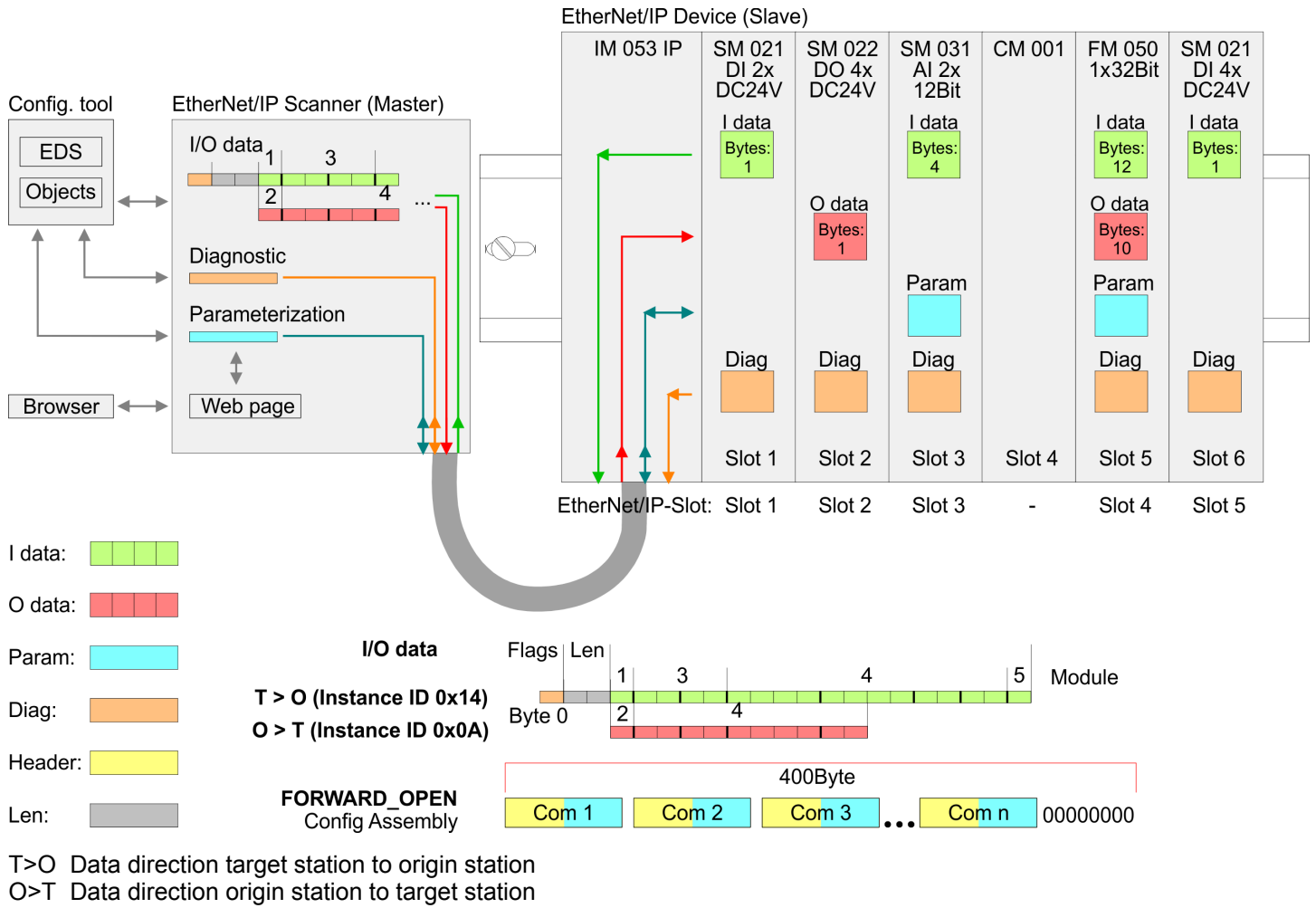
- *Input T→O change to 'point2point'*
- *Output O→T change to 'point2point'*

*Example Rockwell:*

- *Assembly Instance 'Input' T→O: 20decimal, Size: 496byte*
- *Assembly Instance 'Output' O→T: 10decimal, Size: 496byte*
- *Assembly Instance 'Configuration': 30decimal, Size: 400byte*

In the following you will find the description of accessing I/O area, parameter data and diagnostics data of the System SLIO via EtherNet/IP. Here '*I stream*' is according to assembly class with Instance-ID 0x0A and '*O stream*' is according to assembly class with instance-ID 0x14. ↪ *Chap. 4.8 'EtherNet/IP - Objects' page 68*

You can start the communication with a *Class1 connection*. This should be a point-to-point connection in both directions. Here the frame size depends on the configured *assembly class*.



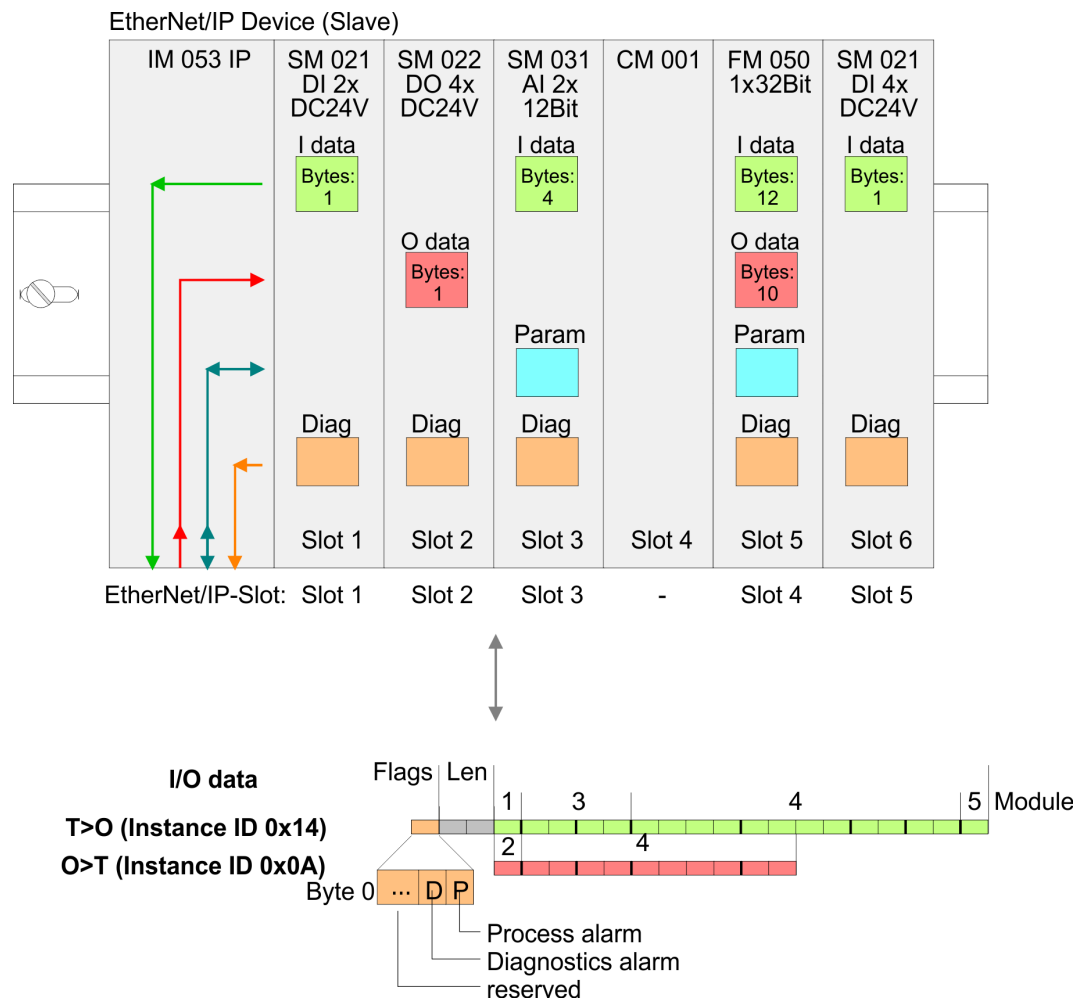
Please consider the System SLIO power and clamp modules do not have any module ID. These may not be recognized by the EtherNet/IP coupler and so are not listed and considered during slot allocation.

Further within EtherNet/IP the slots are designated as EtherNet/IP-Slot. The counting always begins with 1.



### 4.6.2 Accessing I/O area

The EtherNet/IP coupler determines automatically the modules on the System SLIO bus and generates from this the number of input and output bytes. Information concerning the I/O allocation of a module may be found in the corresponding manual. The position (offset) of the input respectively output bytes within the input respectively output data results from the order of the modules (EtherNet/IP slot 1 ... 64). By means of the base address, which is to be preset in the EtherNet/IP scanner for the bus coupler and the offset you may access the input or output data of a module. During operation the EtherNet/IP coupler cyclically reads the input data of the peripheral modules and serves for the last state of these data for the EtherNet/IP scanner. Output data, which the EtherNet/IP coupler has received from the EtherNet/IP scanner, were directly transferred to the modules, as soon as they were received.



#### Behavior of the outputs

- Interrupting a connection
  - If the connection is aborted or the Ethernet connection is disconnected with disabled parameter *Enable default values*, BASP is activated.
  - If the connection is aborted or the Ethernet connection is disconnected with enabled parameter *Enable default values*, the last written output value is retained.

#### ■ PowerOn

- With PowerOn BASP is active.
- When the IM 053-1IP00 is power supplied, PWR LED gets on.

BASP - BASP (**B**efehls-**A**usgabe-**S**perre) means command output disable.

If BASP is active, all module outputs are switched off and the inputs are not read.

**Structure of the Input data** Instance ID: 0x14...0x1D, 0x32...0x3B

Byte	Structure	Field name	Data type	Field value
0	Header	InterruptFlags	USINT	Interrupt and diagnostics flags An interrupt is pending when the corresponding bit is set. <ul style="list-style-type: none"> <li>■ Bit 0: Process alarm</li> <li>■ Bit 1: Diagnostic alarm</li> <li>■ Bit 7 ... 2: reserved</li> </ul>
1		ModLen	UINT	Length of the module data
3	Module packages	ModData	ARRAY of USINT	Module data (see manual System SLIO module)

### 4.6.3 Accessing the parameter data

For the parametrization of the System SLIO modules you have the following possibilities:

- Parametrization via web page
- Parametrization via FORDWARD\_OPEN

#### Parametrization via the web page

When power cycle the coupler, parameterizable modules can be operated with their default parameters. If you want to change parameters the EtherNet/IP coupler respectively the corresponding modules may be parameterized via the integrated Web page. Here by means of the corresponding *EtherNet/IP-Slot* parameter may be viewed and changed.

#### Parametrization via 'FORDWARD\_OPEN'

With this method the EtherNet/IP scanner passes in the FORDWARD\_OPEN call a *config assembly* to the EtherNet/IP coupler. The *config assembly* is a collection of commands and has a fixed size of 400byte.

Here the corresponding System SLIO module can be parameterized with the command *SetModParam* by specifying the *EtherNet/IP-Slot* at '*Pos*' and the module parameters at '*Param*'. ↪ *Chap. 4.7 'Deployment of FORWARD\_OPEN' page 60.*

The description of the parameters can be found in the manual of the according System SLIO module.

### 4.6.4 Accessing diagnostics data

As soon as a module reports an interrupt via the backplane bus, this is automatically recognized by the EtherNet/IP coupler.

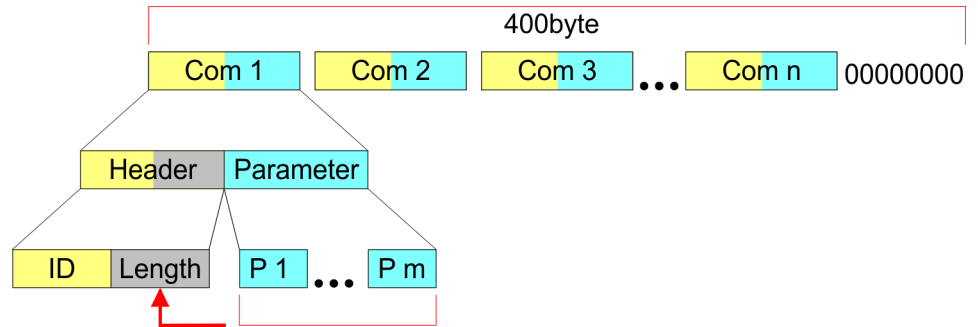
By setting the according interrupt bit in the I/O data stream the EtherNet/IP coupler reports this to the EtherNet/IP scanner. In the EtherNet/IP scanner you can adequately respond to the alarm.

Parts of the diagnostics data can be accessed by means of EtherNet/IP objects. ↪ *Chap. 4.8 'EtherNet/IP - Objects' page 68*

### 4.7 Deployment of FORWARD\_OPEN

**Structure**

The FORWARD\_OPEN *config assembly* can be combined by various commands and has the following structure:



- The length of the *config assembly* is always 400byte. Unused areas are to be zeroed.
- The *config assembly* is always to be finished with END\_OF\_CFG!
- The data within the *config assembly* always consist of a collection of *commands*.
- A command always consists of *command header* and *command parameter*.
- A command header always consists of a *command ID* and a *length* (number bytes of command parameters).
- In *command parameter* the command specific data are specified.
- Generated FORWARD\_OPEN command ↪ *Chap. 4.5 'Web server' page 49*

**Example**

Here an example of FWD\_OPEN:

CMD 1: Ignore Webconfig: 01 00

CMD 2: Number of modules (5): 03 01 05

CMD 3: SetModuleType yy to Pos 3: 04 05 y4 y3 y2 y1 03

The specification for the type has to take place here in the little-endian format (least-significant byte first)

CMD 4: End of Config: 00

CMD 1...4: 01 00 | 03 01 05 | 04 05 y4 y3 y2 y1 03 | 00

→ FWD\_OPEN command: 010003010405y4y3y2y10300

### 4.7.1 Command IDs

Below there is a list of all the commands, which can be used in a FORWARD\_OPEN *config assembly*. Please configure that the *config assembly* can be limited any time by means of the command *EndOfCfg*. After you insert the command *EndOfCfg* all subsequent commands are ignored.

#### Elementary data types

Name	Description	Area	
		Minimum	Maximum
BOOL	Boolean	0: False	1: True
SINT	Short integer	-128	127
INT	Integer	-32768	32767
DINT	Double integer	-2 <sup>31</sup>	2 <sup>31</sup> -1
LINT	Long integer	-2 <sup>63</sup>	2 <sup>63</sup> -1
USINT	Unsigned short integer	0	255
UINT	Unsigned integer	0	65535
UDINT	Unsigned double integer	0	2 <sup>32</sup> -1
ULINT	Unsigned long integer	0	2 <sup>64</sup> -1
STRING	Character String (1byte per character)	-	-
SHORT_STRING	Character String (1byte per character + 1byte length)	-	-
BYTE	Bit string 8bits	-	-
WORD	Bit string 16bits	-	-
DWORD	Bit string 32bits	-	-
LWORD	Bit string 64bits	-	-

#### EndOfCfg (0x00)

The command *EndOfCfg* (0x00) specifies that the configuration finishes at the inserted position. The subsequent commands after this command are ignored.

Structure	Field name	Data type	Value	Designation
Command header	ID	USINT	0x00	EndOfCfg
	Length	USINT	0x00	No parameters



*The config assembly is always to be finished with END\_OF\_CFG!*

**IgnoreWebCfg (0x01)**

The command *IgnoreWebCfg* (0x01) specifies that the EtherNet/IP coupler has to ignore an existing web configuration and may only be configured by a FORWARD\_OPEN *config assembly*.

Structure	Field name	Data type	Value	Designation
Command header	ID	USINT	0x01	IgnoreWebCfg
	Length	USINT	0x00	No parameters

**DeleteWebCfg (0x02)**

The command *DeleteWebCfg* (0x02) specifies that the EtherNet/IP coupler has to delete an existing web configuration and may only be configured by a FORWARD\_OPEN *config assembly*.

Structure	Field name	Data type	Value	Designation
Command header	ID	USINT	0x02	DeleteWebCfg
	Length	USINT	0x00	No parameters

**SetModCnt (0x03)**

The command *SetModCnt* (0x03) specifies the number of modules by the parameter *ModCnt*.

Structure	Field name	Data type	Value	Designation
Command header	ID	USINT	0x03	SetModCnt
	Length	USINT	0x01	Length of the command data
Command specific data	ModCnt	USINT	1 ... 64	Number of modules

**SetModType (0x04)**

The command *SetModType* (0x04) specifies the module ID *ModID* of the module at position *Pos*.

Structure	Field name	Data type	Value	Designation
Command header	ID	USINT	0x04	SetModType
	Length	USINT	0x05	Length of the command data
Command specific data	ModID	UDINT		Module ID (see technical data System SLIO)
	POS	USINT	1 ... 64	Module position

**SetModTypeRange (0x05)**

The command *SetModTypeRange* (0x05) specifies the module ID *ModID* of the modules starting with position *PosStart* to position *PosEnd*.

Structure	Field name	Data type	Value	Designation
Command header	ID	USINT	0x05	SetModTypeRange
	Length	USINT	0x06	Length of the command data
Command specific data	ModID	UDINT		Module ID (see technical data System SLIO)
	PosStart	USINT	1 ... 63	Start position
	PosEnd	USINT	2 ... 64	End position

**SetModParam (0x06)**

The command *SetModParam* (0x06) specifies the module parameter *Para* of the module at position *Pos*. A description of the parameters may be found in the manual of the according System SLIO module.



*To get the current parameters as basis record set for parameterization, you can use a 'class3 connection'!*

Structure	Field name	Data type	Value	Designation
Command header	ID	USINT	0x06	SetModParam
	Length	USINT	0x01 + n	Length of the command data
Command specific data	Pos	USINT	1 ... 64	Module position
	Param	ARRAY of USINT	n = number	Module parameter

**SetIOStartEnd (0x07)**

*Please note that as of version 2.18, the functionality has changed compared to older firmware versions!*

The command *SetIOStartEnd (0x07)* defines the I/O area of the System SLIO bus image, which is to be cyclically transferred in the selected assembly *AsmId*. Since an I/O connection may only transfer max. 496byte I/O data (excluding interrupt header and length), with *SetIOStartEnd* a second connection may be opened to transfer the specified area. This command can be used e.g. with *UseExistingCfg*.

Structure	Field name	Data type	Value	Designation
Command header	ID	USINT	0x07	SetIOStartEnd
	Length	USINT	0x05	Length of the command data
Command specific data	AsmId	USINT		Number of the assembly
	Start	UINT		Start of the I/O data area of the according assembly
	End	UINT		End of the I/O data area of the according assembly

**Command (0x08)**

reserved

**Command (0x0A)**

reserved



**SetModTypeAndParam  
(0x0B)**

*Please note that as of version 2.18, the functionality has changed compared to older firmware versions!*

The command *SetModTypeAndParam* (0x0B) defines both, the type of module and the module parameters for the module at position *Pos*. The length of the module parameter is derived from the length *Length* of the the command specific data, minus the size of the entry position *Pos*. For a *Length* of 24byte, the pure module parameters are 23byte (24byte length - 1byte position = 23byte parameters).

Structure	Field name	Data type	Value	Designation
Command header	ID	USINT	0x0B	SetModTypeAndParam
	Length	USINT	0x01 + X	Length of the command data
Command specific data	ModType	USINT		Number of active connections
	Pos	USINT	1 ... 64	Module position
	Param	ARRAY of USINT	Number = <i>Length</i> - 1	Module parameters (Number = <i>Length</i> - 1)

**UseDefaultValues (0x0C)**

The command *UseDefaultValues* (Value  $\neq$  0) freezes the last active output image.

Structure	Field name	Data type	Value	Designation
Command header	ID	USINT	0x0C	UseDefaultValues
	Command specific data	USINT	0x01	Length of the command data
Command specific data	Value	UDINT		The last active output image retains

Deployment of FORWARD\_OPEN > VIPA specific error message

## 4.7.2 VIPA specific error message

### Overview

- If an error message occurs when the IM 053-1IP00 is connected, this error message can consist of several error entries.
- For the error message 0x0320 (Vendor specific), a VIPA specific error is listed as further error entry.

Error		Description
1. error entry	0x0320	see CIP (Vol. 1: Common Industrial Protocol Specification - 3-5.5)
2. error entry	0xXXXX	VIPA specific error message

### VIPA specific error message

Error	Description
0x0000	Command has been executed without error.
0x0001	Configuration in FORWARD_OPEN could not be read.
0x0002	Unknown command in <i>config assembly</i> .
0x0003	Length in <i>config assembly</i> is not correct.
0x0004	Data missing for the command.
0x0005	<i>SetIOStartEnd</i> twice in <i>config assembly</i> .
0x0006	<i>SetModCnt</i> twice in <i>config assembly</i> .
0x0007	<i>SetModCnt</i> overflows max available number of modules.
0x0008	<i>SetModType</i> overflows max available number of modules.
0x0009	<i>SetModType</i> for same module twice in <i>config assembly</i> .
0x000A	<i>NoFwdOpenCfg</i> twice in <i>config assembly</i> .
0x000B	<i>IgnoreWebCfg</i> twice in <i>config assembly</i> .
0x000C	<i>UseExistingCfg</i> twice in <i>config assembly</i> .
0x000D	<i>SetModCnt</i> underflows min. available modules.
0x000E	<i>SetModCnt</i> doesn't match EtherNet/IP coupler module count.
0x000F	System SLIO Bus could not return the module ID.
0x0010	<i>SetModType</i> found wrong-plugged module.
0x0011	<i>DeleteWebCfg</i> twice in <i>config assembly</i> .
0x0012	This function is not supported.
0x0013	<i>SlioModGetParameterLength</i> is wrong in <i>SetModParam</i> .
0x0014	The length of <i>SetModParam</i> differs to the expected length of the module.
0x0015	<i>SlioModSetParameters</i> faulty in <i>SetModParam</i> .
0x0016	<i>SetModParam</i> is greater than the max. possible number of modules.
0x0017	<i>SetIOStartEnd</i> could not find assembly information.
0x0018	<i>SetIOStartEnd</i> : The assembly has the wrong type.
0x0019	<i>SetIOStartEnd</i> is behind the available data length of the module.

Error	Description
0x001A	Initialization: <i>ClientStart</i> was faulty.
0x001B	Initialization: Assembly with input data could not be added.
0x001C	Initialization: Assembly with output data could not be added.
0x001D	Initialization: <i>Config assembly</i> could not be added.
0x001E	Initialization: Identity object could not be initialized.
0x001F	Initialization: Identity object could not be set.
0x0022	<i>SetModTypeRange</i> : There were more modules configured as exist.
0x0023	<i>SetModTypeRange</i> : A wrong plugged module was found.
0x0024	Initialization: Initialization could not be executed.
0x0025	Initialization: could not add diagnosis assembly.
0x0026	Initialization: could not add extended diagnosis assembly.
0x0027	Initialization: could not add diagnosis and input assembly.
0x0028	Initialization: could not add extended diagnosis and input assembly.
0x0029	Initialization: bus scan failed.
0x002A	Initialization: clear module errors failed.
0x002B	Initialization: Process image preparation failed.
0x002C	Initialization: Delete <i>Webconfig</i> failed.
0x002D	<i>SetModParam</i> underflows min module address of 1.
0x002E	Initialization: could not add dynamic input assembly.
0x002F	Initialization: could not add dynamic output assembly.
0x0030	<i>SetIOStartEnd</i> : Input assembly overlapping range.
0x0031	<i>SetIOStartEnd</i> : Output assembly overlapping range.
0x0032	<i>SetIOStartEnd</i> : Input assembly out of range.
0x0033	<i>SetIOStartEnd</i> : Output assembly out of range.
0x0034	Current module configuration diverse from expected.
0x0035	Module configuration doesn't exist, was deleted.
0x0036	Module configuration could not be written.
0x0037	Number of connections is to small, must be minimum 1.
0xFFFF	Common Error

## 4.8 EtherNet/IP - Objects

### Classes, Objects, Instances and Attributes

'Objects' are specified by their properties. The properties are called attributes. Similar objects are summarized in 'object classes'. An 'object', which was built during run-time of a class is an 'instance'.

The EtherNet/IP coupler supports the following objects:

- Standardized EtherNet/IP objects
- VIPA specified EtherNet/IP objects

### 4.8.1 Standardized EtherNet/IP Objects

The following standardized object classes are supported by the EtherNet/IP coupler:

Object classes	Description
Message Router (0x02)	Distributed explicit requests to the associated handler
Connection Manager (0x06)	Responsible for different areas of the connection
Port (0x55)	Abstraction of a physical network connection
Identity (0x01)	Provides identification and general information about the device.  With Identity, you can use the <i>Reset Service Type</i> function and 0 to a software reset.
Ethernet Link (0xF6)	Shows information about the network interface (Error counter, ...)
TCP/IP (0xF5)	Configuration of the TCP/IP interface (e.g. IP address, Netmask, Gateway)
Custom Objects	Self-defined objects



*More information about the standardized EtherNet/IP object classes may be found in the according EtherNet/IP respectively CIP standard of the ODVA (Open DeviceNet Vendor Association).*

## 4.8.2 VIPA specific EtherNet/IP objects

The following VIPA specific object classes are supported by the EtherNet/IP coupler:

Object class	Description
I/O data (0x64)	Access to the I/O data of the System SLIO
Diagnostics and interrupt (0x65)	Access to the diagnostics and interrupt specific settings
Module (0x66)	Access to the configuration, diagnostics and status data of the modules
Coupler (0x67)	Access to the configuration and status data of the EtherNet/IP coupler

### I/O data class (code: 0x64)

With this class the I/O data, which were configured via FORWARD\_OPEN before, may be accessed.

- The instances represent the INPUT respectively OUTPUT assemblies. Enter here 0 for the *instance*.
- Is the ID assigned to the first INPUT assembly e.g. number 20, so the instance 20 is directly assigned with this assembly.
- The attribute IDs of the object class can be found in the following table:

Attribute ID	Access	Name	Data type	Description
0x64	Set	I/O Set	ARRAY of BYTE	Setpoint (outputs)
0x65	Get	I/O Get	ARRAY of BYTE	Actual value (inputs)

### Diagnostics and interrupt class (code: 0x65)

With this class the diagnostics and interrupt specific settings can be accessed. If this data have to be manually reset, this happens by the module class.

With *Instance* you can define which System SLIO slot is to be accessed:

- 0: EtherNet/IP coupler
- 1: 1. System SLIO module
- 2: 2. System SLIO module, etc. ...



*Please consider the System SLIO power and clamp modules do not have any module ID. These may not be recognized by the EtherNet/IP coupler and so are not considered during slot allocation.*

The attribute IDs of the object class can be found in the following table:

Attribute ID	Access	Name	Data type	Description
0x64	Get	Status	USINT	Access to the status byte of the I/O data. An interrupt is pending, if the according bit is set: <ul style="list-style-type: none"> <li>Bit 0: Process interrupt</li> <li>Bit 1: Diagnostics interrupt</li> <li>Bit 7 ... 2: reserved</li> </ul>
0x65	Set	Process Reset Config	BYTE	Here is specified when a hardware interrupt is to be reset: <ul style="list-style-type: none"> <li>0: Active reset by attribute 0x6D of the module class</li> <li>1: Automatically after request (standard)</li> </ul>
0x66	Set	Diagnostic Reset Config	BYTE	Here is specified when a diagnostics interrupt is to be reset: <ul style="list-style-type: none"> <li>0: Active reset by attribute 0x6E of the module class</li> <li>1: Automatically after request (standard)</li> </ul>
0x67	Set	Reset Process and Diagnostic Data	no data	Deletes each available process and diagnostic data (API SlioModClearAllErrors)
0x68	Get	Next Process Alarm	see table below	Reads the next available hardware interrupt. Contains the raw data of the interrupt type IO_EVENT_PROCESS_ALARM
0x69	Get	Next Diagnostic Data	see table below	Reads the next available diagnostics interrupt. Contains the raw data of the interrupt type IO_EVENT_DIAGNOSTIC_ALARM

**Structure of the interrupt and diagnostic data**

Field name	Data type	Field value
Pos	USINT	Module position (1 ... 64)
Length	UINT	Length of the interrupt and diagnostics data
Data	ARRAY of BYTE	Interrupt and diagnostics data in raw format

**Module class (code: 0x66)**

This class offers access to the configuration, diagnostics and status data of the System SLIO modules.

- Besides the module descriptive attributes there are the attributes 0x6B and 0x6C to read the module-specific hardware interrupt and diagnostics data.
- If the manual reset of hardware and diagnostics interrupts is set by the diagnostics and interrupt class, a interrupt can be acknowledged by means of the attributes Attribute 0x6D respectively 0x6E.
- With *Instance* the System SLIO slot is defined, which is to be accessed.



*Please consider the System SLIO power and clamp modules do not have any module ID. These may not be recognized by the EtherNet/IP coupler and so are not considered during slot allocation.*

The attribute IDs of the object class can be found in the following table:

Attribute ID	Access	Name	Data type	Description
0x64	Get/Set	Config	ARRAY of BYTE	Module configuration
0x65	Set	ClearCounter	no data	Clear module counter
0x66	Get	GetMDL	WORD	Module MDL read counter
0x67	Get	GetNDL	WORD	Module NDL read counter
0x68	Get	VerFPGA	WORD	FPGA version
0x69	Get	VerFW	ARRAY of BYTE	Firmware version
0x6A	Get	Serial	ARRAY of BYTE	Serial number
0x6B	Get	Process Alarm	see table below	Contains the raw data of the interrupt type IO_EVENT_PROCESS_ALARM
0x6C	Get	Diagnostic Data	see table below	Contains the raw data of the interrupt type IO_EVENT_DIAGNOSTIC_ALARM
0x6D	Set	Process Reset	no data	Reset the hardware interrupt
0x6E	Set	Diagnostic Reset	no data	Reset the diagnostics interrupt

#### Structure of the interrupt and diagnostics data

Field name	Data type	Field value
Pos	USINT	Module position (1 ... 64)
Length	UINT	Length of the interrupt and diagnostics data
Data	ARRAY of BYTE	Interrupt and diagnostics data in raw format

**Coupler class (code: 0x67)** This class offers access to the parameter and status data of the Ethernet/IP coupler.

- The *Instance* is always 0.
- The attribute IDs of the object class can be found in the following table:

Attribute ID	Access	Name	Data type	Description
0x64	Get/Set	Config	ARRAY of BYTE	Coupler configuration
0x65	Set	ClearCounter	no data	Clear master counter
0x66	Get	GetMC	BYTE	Read master counter
0x67	Get	GetELE	WORD	Expected length error
0x68	Get	GetTOE	WORD	Time-out error
0x69	Get	GetSBE	WORD	Stop-bit error

EtherNet/IP - Objects &gt; VIPA specific EtherNet/IP objects

Attribute ID	Access	Name	Data type	Description
0x6A	Get	GetFCSE	WORD	FCS error
0x6B	Get	GetTLE	WORD	Telegram length error
0x6C	Get	GetTTE	WORD	Telegram type error
0x6D	Get	GetARE	WORD	Alarm retry error
0x6E	Get	GetBITE	WORD	Bus idle time error
0x6F	Get	GetWNA	WORD	Wrong node address
0x70	Get	GetTV	WORD	Telegram valid
0x71	Get	GetML	WORD	Master load
0x72	Get	VerSLIO	BYTE	SLIO version
0x73	Get	VerFPGA	WORD	FPGA version
0x74	Get	VerBus	WORD	SLIO bus version
0x75	Get	VerFwPkt	DWORD	Firmware packet version
0x76	Get	VerMxFile	STRING	Name and version of the Mx file
0x77	Get	GetModulIDs	ARRAY of BYTE	List of plugged System SLIO modules
0x78	Get/Set	SaveCfg	WORD	Configuration: Get / Set <ul style="list-style-type: none"> <li>■ Bit 1: Web configuration</li> <li>■ Bit 2: Network configuration</li> <li>■ Bit 3: Module configuration</li> </ul>

### Coupler configuration

Byte	Content
Byte 0	<ul style="list-style-type: none"> <li>■ Bit 0: IgnoreWebConfig</li> <li>■ Bit 1: Auto Reset ProcessAlarmflag</li> <li>■ Bit 2: Auto Reset DiagnosticAlarmflag</li> <li>■ Bit 3: Always Send Transmit Address</li> <li>■ Bit 4: Use default Values</li> <li>■ Bit 7 ... 5: reserved</li> </ul>
Byte 1	Number of plugged modules
Byte 2 - n	4 byte per module, which corresponds to the module ID



Should there be unstable connections due to timeouts, so you can make the following settings after installing the EDS file:

- Input T→O change to 'point2point'
- Output O→T change to 'point2point'

Example Rockwell:

- Assembly Instance 'Input' T→O: 20decimal, Size: 496byte
- Assembly Instance 'Output' O→T: 10decimal, Size: 496byte
- Assembly Instance 'Configuration': 30decimal, Size: 400byte



### 4.8.3 Assembly instances

#### Instances

In the following the VIPA specific instances are listed for R/W access and for read access to the diagnostics data.

#### Instance ID 0x0A (10) ... 0x13 (19) - Setpoint values (496byte) - O→T

Byte	Type	Content
0	ARRAY of BYTE	Setpoint values (outputs) - output assembly (O→T)

Since an connection (output assembly) can only transfer a maximum of 496byte I/O data (less interrupt header and length), with *SetIOStartEnd* a second connection can be opened over which the defined start area is transferred. ↪ *Chap. 4.7 'Deployment of FORWARD\_OPEN' page 60*

#### Instance ID 0x14 (20) ... 0x1D (29) - Actual values (496byte) - T→O

Byte	Type	Content
0	USINT	Header
1	UINT	ModLen
3	ARRAY of BYTE	Actual values (inputs) - input assembly (T→O)

If you do not request setpoints, to use this instance ID, you must set the instance ID 0xFE (Input Only) on the *Originator* part.

Since an connection (input assembly) can only transfer a maximum of 496byte I/O data (less interrupt header and length), with *SetIOStartEnd* a second connection can be opened over which the defined start area is transferred. ↪ *Chap. 4.7 'Deployment of FORWARD\_OPEN' page 60*

#### Instance ID 0x1E (30) - Config (400byte)

Byte	Type	Content
0	ARRAY of BYTE	ForwardOpen ↪ <i>Deployment of FORWARD_OPEN</i>

#### Instance ID 0x32 (50) to 0x3B (59) - Setpoints (dynamic) - O→T

Byte	Type	Content
0	ARRAY of BYTE	Setpoints (Outputs) - Output Assembly

The value of the size is dynamic and corresponds to the size of the process image of the outputs in byte. ↪ *Chap. 4.5 'Web server' page 49*

**Instance ID 0x3C (60) to 0x45 (69) - Actual values (dynamic) - T→O**

Byte	Type	Content
0	USINT	Header
1	UINT	ModLen
3	ARRAY of BYTE	Actual values (inputs) - input assembly (T→O)

If you do not request setpoints, to use this instance ID, you must set the instance ID 0xFE (Input Only) on the *Originator* part.



*For small systems with short cycle times, you should use instances with dynamic values.*

**Instance ID 0x79 (121) - Diagnostics (4bytes) - T→O**

Byte	Type	Content
0	WORD	System diagnostics: <ul style="list-style-type: none"> <li>■ Bit 0: Scanner for time x lost</li> <li>■ Bit 1: Sporadic interruption</li> <li>■ Bit 2: Long response times</li> <li>■ Bit 3: Module permutation</li> <li>■ Bit 15 ... 4: reserved</li> </ul>
2	BYTE	Module diagnostics: <ul style="list-style-type: none"> <li>■ Bit 0: Hardware interrupt (collective interrupt)</li> <li>■ Bit 1: Diagnostics interrupt (collective interrupt)</li> <li>■ Bit 7 ... 2: reserved</li> </ul>
3	BYTE	Reserved

To use this instance ID, you must set the instance ID 0xFE (Input Only) on the *Originator* part.

**Instance ID 0x7A (122) - Extended diagnostics (20byte) - T→O**

Byte	Type	Content
0	WORD	System diagnostics: <ul style="list-style-type: none"> <li>■ Bit 0: Scanner for time x lost</li> <li>■ Bit 1: Sporadic interruption</li> <li>■ Bit 2: Long response times</li> <li>■ Bit 3: Module permutation</li> <li>■ Bit 15 ... 4: reserved</li> </ul>
2	WORD	Reserved
4	LWORD	Hardware interrupt <ul style="list-style-type: none"> <li>■ Bit 0: Module 1</li> <li>■ Bit 1: Module 2</li> <li>■ Bit 63 ... 2: reserved</li> </ul>
12	LWORD	Diagnostics interrupt <ul style="list-style-type: none"> <li>■ Bit 0: Module 1</li> <li>■ Bit 1: Module 2</li> <li>■ Bit 63 ... 2: reserved</li> </ul>

To use this instance ID, you must set the instance ID 0xFE (Input Only) on the *Originator* part.

**Instance ID 0x7B (123) - Diagnostics & actual values (500byte) -T→O**

Byte	Type	Content
0	DWORD	Instance ID 121 (diagnostics)
4	ARRAY of BYTE	Instance ID 120 (actual values) (input assembly 1)

To use this instance ID, you must set the instance ID 0xFE (Input Only) on the *Originator* part.

**Instance ID 0x7C (124) - Extended diagnostics & actual values (516byte) - T→O**

Byte	Type	Content
0	DWORD LWORD LWORD	Instance ID 122 (Extended diagnostics)
20	ARRAY of BYTE	Instance ID 120 (actual values) (input assembly 1)

To use this instance ID, you must set the instance ID 0xFE (Input Only) on the *Originator* part.

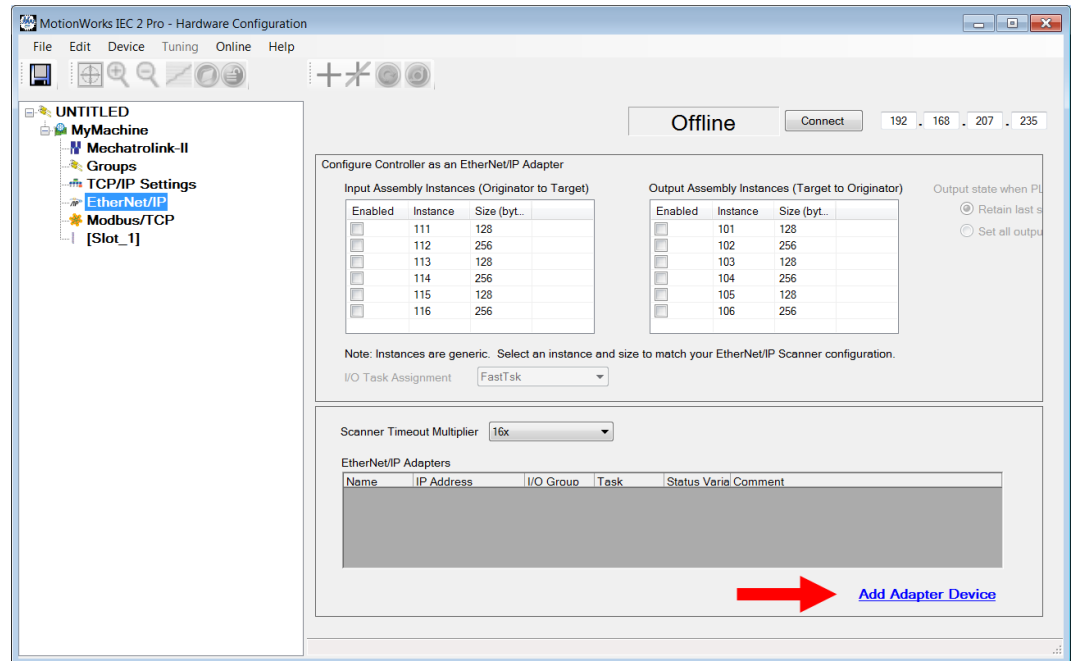
**Instance ID 0xFE (254) - Input Only - O→T**

## 4.9 Examples

### 4.9.1 Configuration at a Yaskawa MWIEC scanner

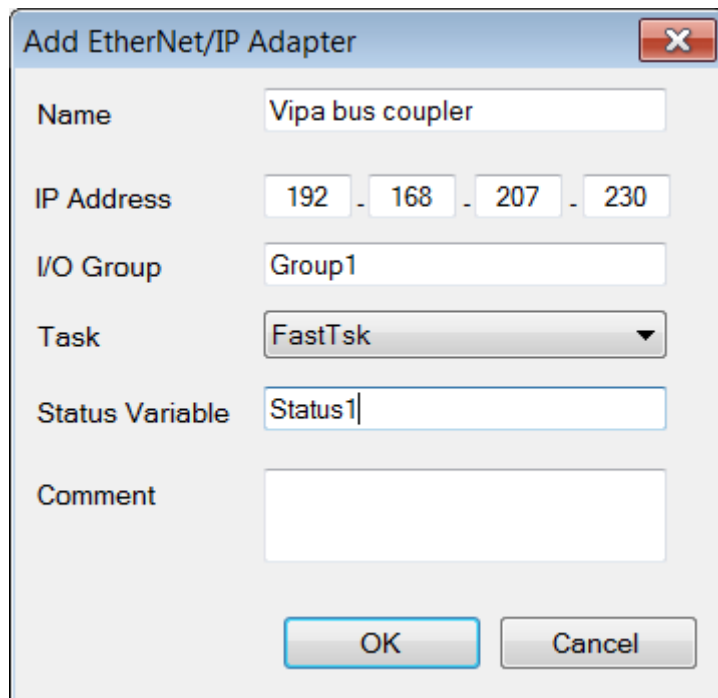
#### Proceeding

1. ➔ Open MotionWorks from Yaskawa with your project.



2. ➔ Select 'EtherNet/IP' and click at [Add Adapter Device].

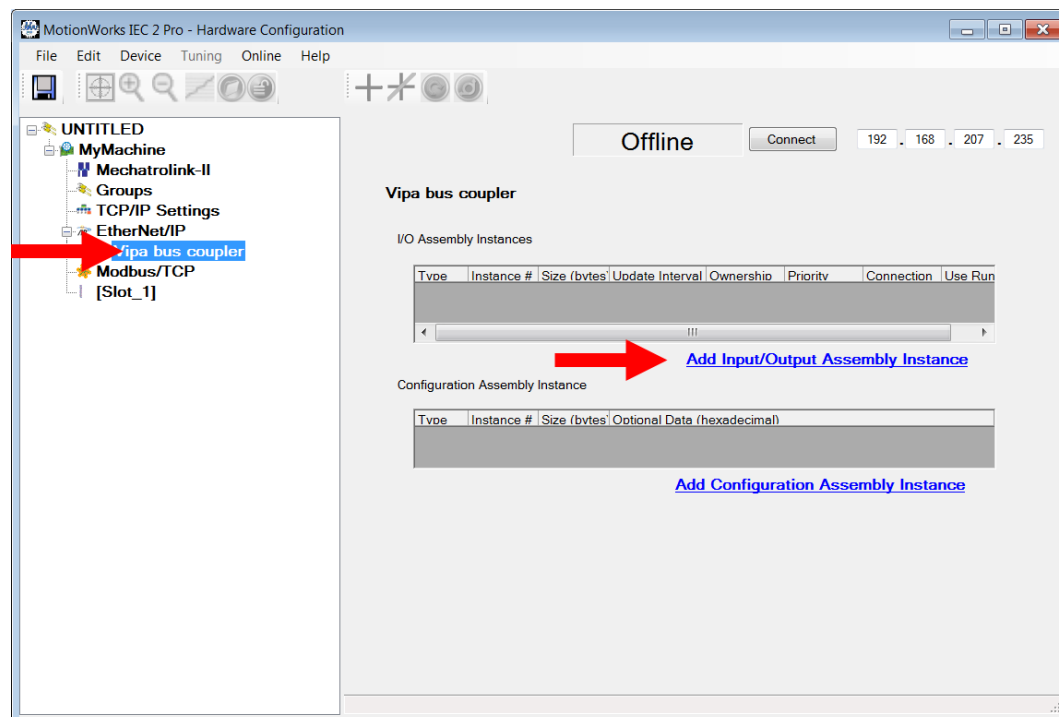
⇒ The following dialog window is opened:



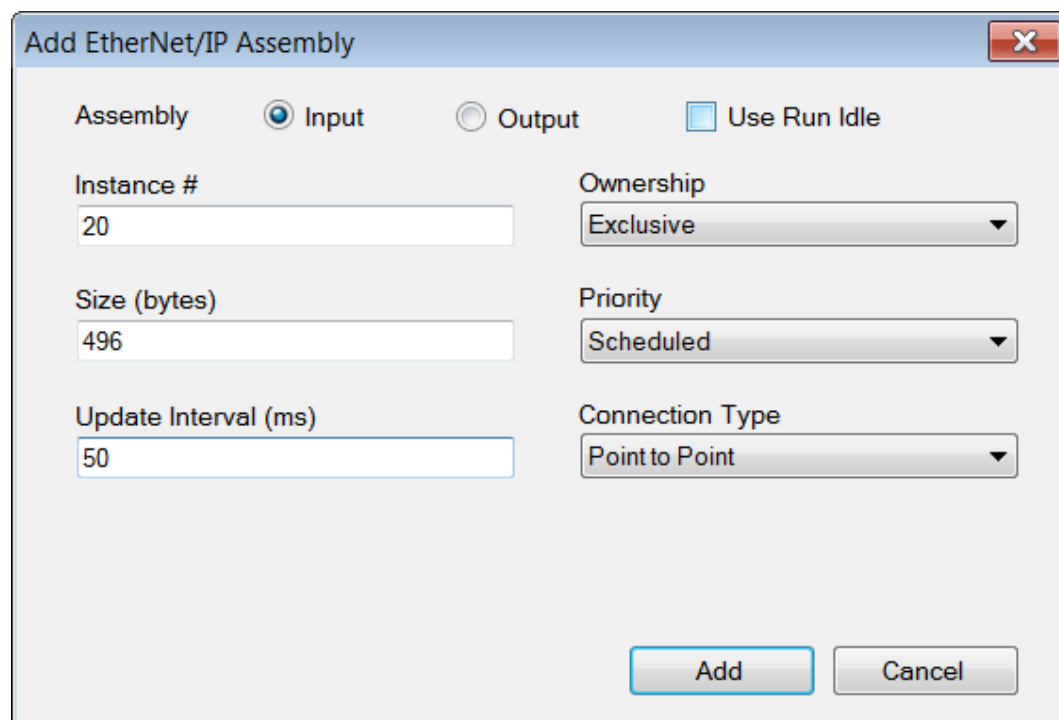
3. ➔ Please enter *Name*, *IP Address*, *I/O Group* and *Status Variable* and click at [OK]. When the configuration is saved, the status variable will be created in the global variable table under I/O group.

⇒ The dialog window is closed and the EtherNet/IP adapter is listed in the 'Hardware Configuration' below 'EtherNet/IP'.

4. Select 'VIPA bus coupler' and click at [Add Input/Output Assembly].



⇒ The following dialog window is opened:

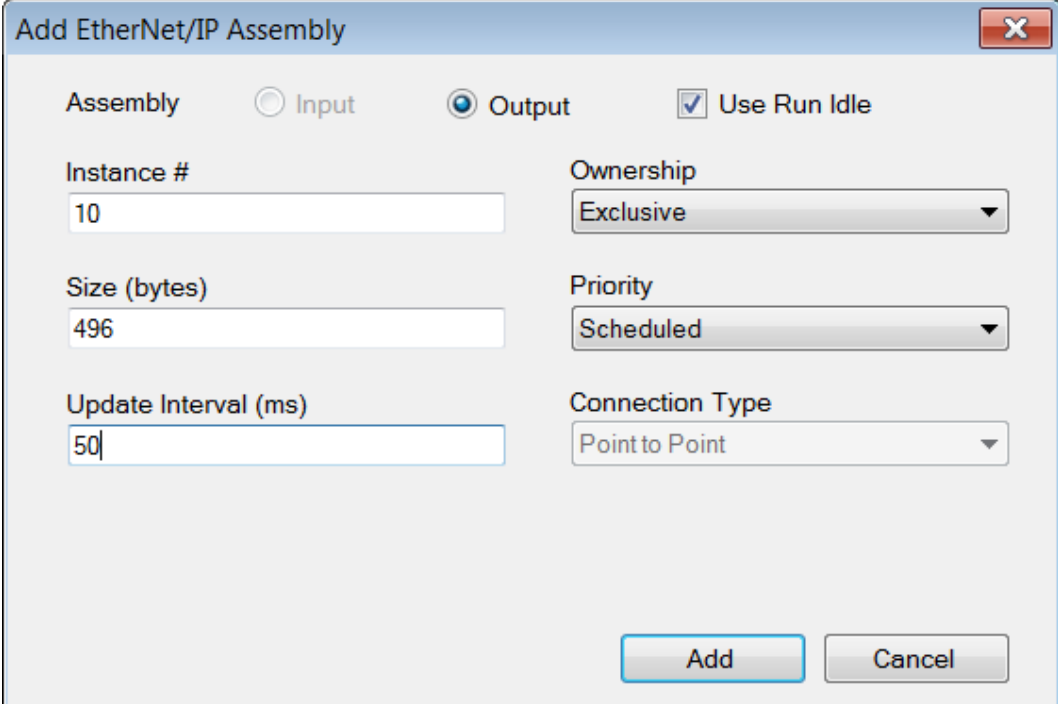


5. Set the following values and click at [Add]:

- Assembly: Input
- Instance: 20
- Size (byte): 496
- Update Interval (ms): 50
- Connection Type: Point to Point

⇒ The dialog is closed and the new instance is shown in the table.

6. ➤ Click at [Add Input/Output Assembly Instance] again.  
⇒ The following dialog window is opened:



**Add EtherNet/IP Assembly**

Assembly  Input  Output  Use Run Idle

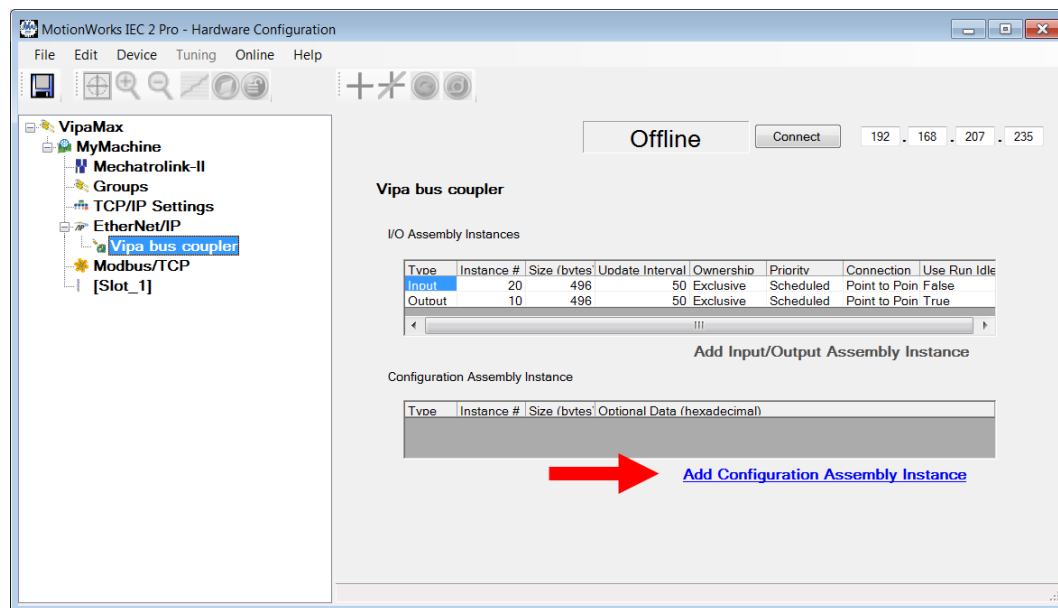
Instance #  Ownership

Size (bytes)  Priority

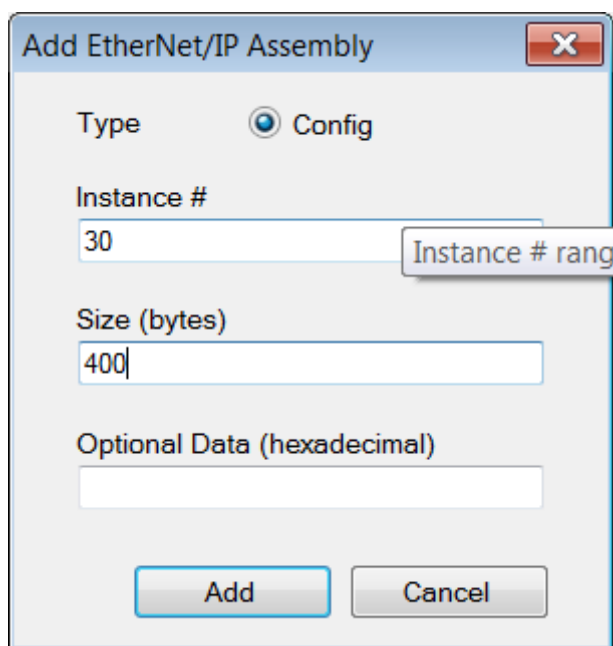
Update Interval (ms)  Connection Type

7. ➤ Set the following values and click at [Add]:
- Assembly: Output
  - Instance: 10
  - Size (byte): 496
  - Update Interval (ms): 50
- ⇒ The dialog is closed and the new instance is shown in the table.

8. Click at [Add Configuration Assembly Instance].



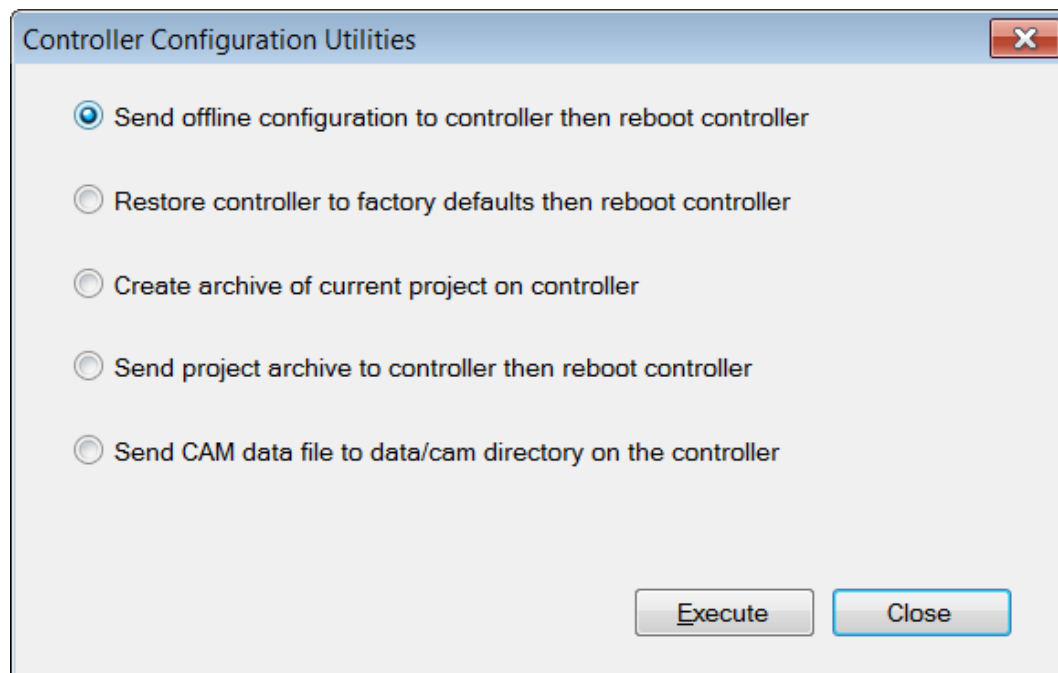
⇒ The following dialog window is opened:



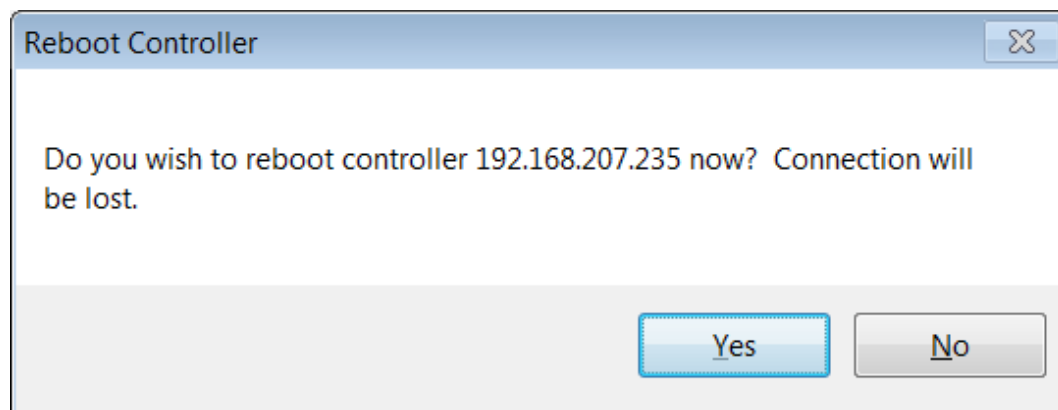




- 12.** Select 'Send offline configuration to controller then reboot controller' and click at [Execute].



- 13.** Confirm the prompt for reboot with [Yes].

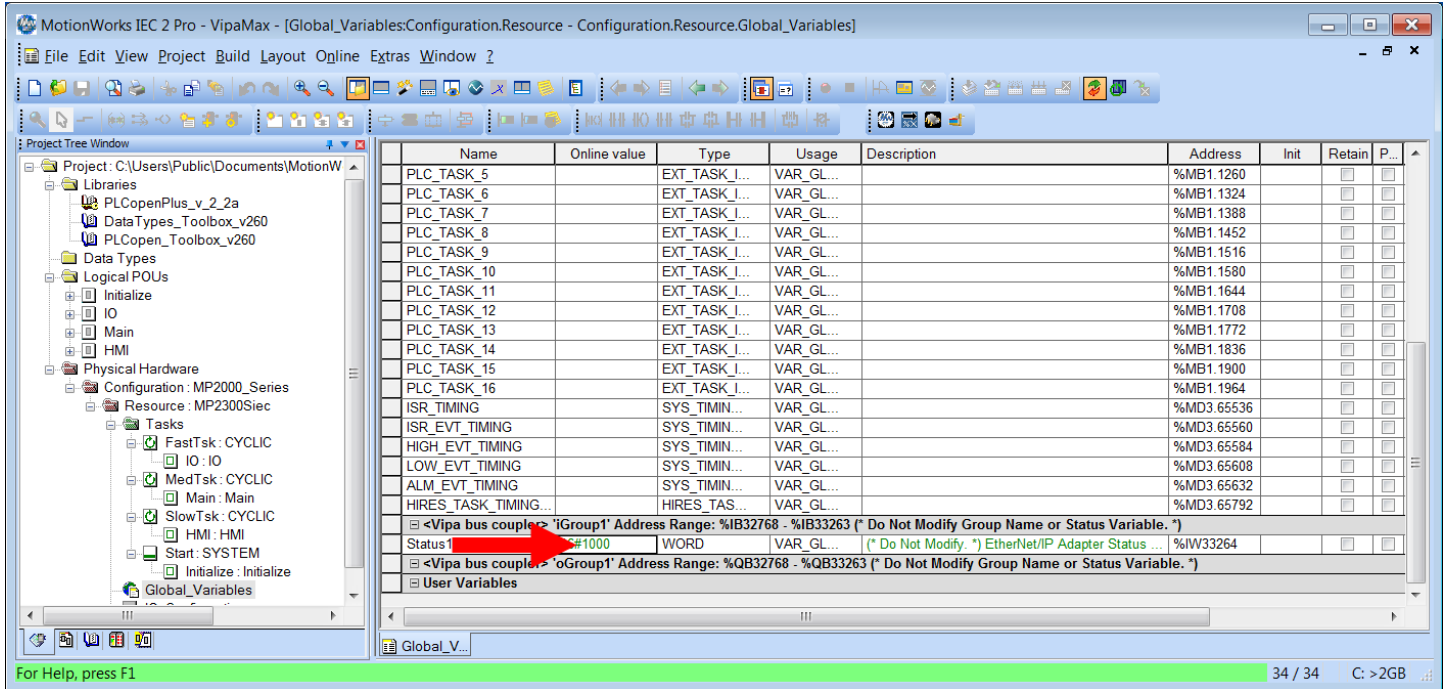


- 14.** Open the web page of the EtherNet/IP coupler.

- 15.** Navigate to the register 'Parameter'.

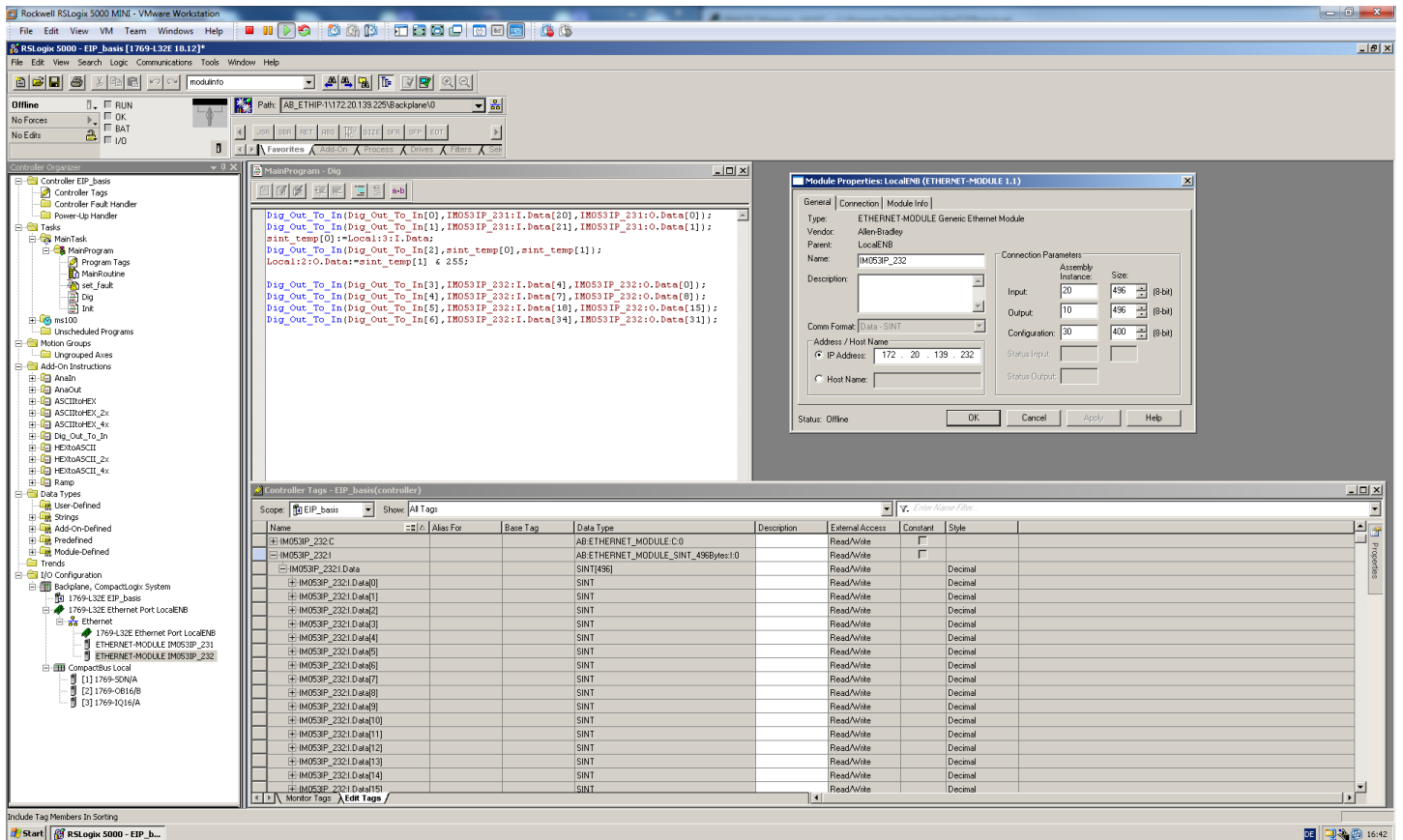
16. Activate the parameters 'Display stored config' and 'Number of expected connections' = "1" and click at [Apply].

⇒ When the controller powers up, you can find the variable 'Status1' in the global variable table. The value 0x1000 indicates that the controller is connected to the bus coupler.



## 4.9.2 Configuration at a Rockwell scanner

### Configuration



Here the following settings are necessary:

