

VIPA System 300S

SPEED7 - CPU | 314-6CF03 | Manual

HB140E_CPU | RE_314-6CF03 | Rev. 12/47

November 2012



Copyright © VIPA GmbH. All Rights Reserved.

This document contains proprietary information of VIPA and is not to be disclosed or used except in accordance with applicable agreements.

This material is protected by the copyright laws. It may not be reproduced, distributed, or altered in any fashion by any entity (either internal or external to VIPA), except in accordance with applicable agreements, contracts or licensing, without the express written consent of VIPA and the business management owner of the material.

For permission to reproduce or distribute, please contact:
VIPA, Gesellschaft für Visualisierung und Prozessautomatisierung mbH
Ohmstraße 4, D-91074 Herzogenaurach, Germany
Tel.: +49 (91 32) 744 -0
Fax.: +49 9132 744 1864
EMail: info@vipa.de
<http://www.vipa.com>

Note

Every effort has been made to ensure that the information contained in this document was complete and accurate at the time of publishing. Nevertheless, the authors retain the right to modify the information. This customer document describes all the hardware units and functions known at the present time. Descriptions may be included for units which are not present at the customer site. The exact scope of delivery is described in the respective purchase contract.

CE Conformity Declaration

Hereby, VIPA GmbH declares that the products and systems are in compliance with the essential requirements and other relevant provisions.

Conformity is indicated by the CE marking affixed to the product.

Conformity Information

For more information regarding CE marking and Declaration of Conformity (DoC), please contact your local VIPA customer service organization.

Trademarks

VIPA, SLIO, System 100V, System 200V, System 300V, System 300S, System 400V, System 500S and Commander Compact are registered trademarks of VIPA Gesellschaft für Visualisierung und Prozessautomatisierung mbH.

SPEED7 is a registered trademark of profichip GmbH.

SIMATIC, STEP, SINEC, TIA Portal, S7-300 and S7-400 are registered trademarks of Siemens AG.

Microsoft und Windows are registered trademarks of Microsoft Inc., USA.

Portable Document Format (PDF) and Postscript are registered trademarks of Adobe Systems, Inc.

All other trademarks, logos and service or product marks specified herein are owned by their respective companies.

Information product support

Contact your local VIPA Customer Service Organization representative if you wish to report errors or questions regarding the contents of this document. If you are unable to locate a customer service center, contact VIPA as follows:

VIPA GmbH, Ohmstraße 4, 91074 Herzogenaurach, Germany

Telefax: +49 9132 744 1204
EMail: documentation@vipa.de

Technical support

Contact your local VIPA Customer Service Organization representative if you encounter problems with the product or have questions regarding the product. If you are unable to locate a customer service center, contact VIPA as follows:

VIPA GmbH, Ohmstraße 4, 91074 Herzogenaurach, Germany

Telephone: +49 9132 744 1150 (Hotline)
EMail: support@vipa.de

Contents

About this manual	1
Safety information	2
Chapter 1 Basics	1-1
Safety Information for Users.....	1-2
Operating structure of a CPU	1-3
CPU 314-6CF03.....	1-6
Chapter 2 Assembly and installation guidelines.....	2-1
Overview	2-2
Installation dimensions	2-3
Assembly SPEED-Bus	2-4
Assembly standard bus	2-8
Cabling.....	2-10
Installation guidelines	2-12
Chapter 3 Hardware description	3-1
Properties.....	3-2
Structure	3-3
In-/Output range CPU 314-6CF03	3-9
Technical Data	3-11
Chapter 4 Deployment CPU 314-6CF03	4-1
Assembly.....	4-2
Start-up behavior.....	4-2
Addressing	4-3
Hardware configuration - CPU.....	4-7
Hardware configuration - I/O modules	4-8
Hardware configuration - Ethernet PG/OP channel	4-9
Hardware configuration - SPEED-Bus.....	4-11
Setting standard CPU parameters.....	4-16
Setting VIPA specific CPU parameters.....	4-23
Project transfer.....	4-28
Access to the internal Web page.....	4-32
Operating modes.....	4-34
Overall reset.....	4-37
Firmware update	4-39
Factory reset	4-42
Slot for storage media	4-43
Memory extension with MCC.....	4-44
Extended know-how protection.....	4-45
MMC-Cmd - Auto commands	4-47
VIPA specific diagnostic entries	4-49
Using test functions for control and monitoring of variables.....	4-54

Chapter 5	Deployment I/O periphery	5-1
	Overview	5-2
	In-/Output range CPU 314-6CF03.....	5-3
	Analog part.....	5-6
	Analog Part - Parameterization	5-10
	Analog part - Diagnostic functions.....	5-14
	Digital part.....	5-17
	Counter - Fast introduction.....	5-19
	Counter - Parameterization	5-22
	Counter - Functions.....	5-27
	Counter - Additional functions	5-33
	Counter - Diagnostic and interrupt.....	5-40
Chapter 6	Deployment PtP communication	6-1
	Fast introduction.....	6-2
	Principle of the data transfer	6-3
	Deployment of RS485 interface for PtP.....	6-4
	Parameterization	6-7
	Communication	6-10
	Protocols and procedures	6-16
	Modbus - Function codes	6-20
	Modbus - Example communication.....	6-24
Chapter 7	Deployment PROFIBUS communication	7-1
	Overview	7-2
	Fast introduction.....	7-3
	Hardware configuration - CPU.....	7-4
	Deployment as PROFIBUS DP master	7-5
	Deployment as PROFIBUS DP slave	7-6
	PROFIBUS installation guidelines	7-8
	Commissioning and Start-up behavior.....	7-11
Chapter 8	WinPLC7	8-1
	System presentation.....	8-2
	Installation	8-3
	Example project engineering	8-4
Chapter 9	Configuration with TIA Portal	9-1
	TIA Portal - Work environment.....	9-2
	TIA Portal - Hardware configuration - CPU.....	9-4
	TIA Portal - Hardware configuration - I/O modules	9-5
	TIA Portal - Hardware configuration - Ethernet PG/OP channel	9-6
	TIA Portal - Setting VIPA specific CPU parameters.....	9-9
	TIA Portal - Include VIPA library.....	9-12
	TIA Portal - Project transfer.....	9-13

About this manual

This manual describes the System 300S SPEED7 CPU 314-6CF03 from VIPA. Here you may find every information for commissioning and operation.

Overview

Chapter 1: Principles

This Basics contain hints for the usage and information about the project engineering of a SPEED7 system from VIPA.

General information about the System 300S like dimensions and environment conditions will also be found.

Chapter 2: Assembly and installation guidelines

In this chapter you will find all information, required for the installation and the cabling of a process control with the components of a CPU 314-6CF03 in the System 300S.

Chapter 3: Hardware description

Here the hardware components of the CPU 314-6CF03 are described. The technical data are at the end of the chapter.

Chapter 4: Deployment CPU 314-6CF03

This chapter describes the employment of a CPU 314-6CF03 with SPEED7 technology in the System 300S. The description refers directly to the CPU and to the employment in connection with peripheral modules that are mounted on a profile rail together with the CPU at the standard bus.

Chapter 5: Deployment PtP communication

This chapter contains all information necessary for the employment of the in-/output periphery of the CPU 314-6CF03. It describes functionality, project engineering and diagnostic of the analog and digital part.

Chapter 6: Deployment I/O periphery

Content of this chapter is the employment of the RS485 slot for serial PtP communication. Here you'll find all information about the protocols, the activation and project engineering of the interface which are necessary for the serial communication using the RS485 interface.

Chapter 7: Deployment PROFIBUS communication

Content of this chapter is the deployment of the CPU 314-6CF03 with PROFIBUS. After a short overview the project engineering and parameterization of a CPU 314-6CF03 with integrated PROFIBUS-Part from VIPA is shown. Further you get information about usage as DP master and DP slave of the PROFIBUS part.

The chapter is ended with notes to commissioning and start-up.

Chapter 8: WinPLC7

In this chapter the programming and simulation software WinPLC7 from VIPA is presented. WinPLC7 is suited for every with Siemens STEP[®]7 programmable PLC.

Besides the system presentation and installation here the basics for using the software is explained with a sample project.

More information concerning the usage of WinPLC7 may be found in the online help respectively in the online documentation of WinPLC7.

Chapter 9: Configuration with TIA Portal

In this chapter the project engineering of the VIPA CPU in the Siemens TIA Portal is shown. The chapter only describes the basic usage of the Siemens TIA Portal together with a VIPA CPU.

More detailed information about the Siemens TIA Portal is to be found in the according online manual respectively documentation.

Objective and contents

This manual describes the System 300S SPEED7 CPU 314-6CF03 from VIPA. It contains a description of the construction, project implementation and usage.

This manual is part of the documentation package with order number HB140E_CPU and relevant for:

Product	Order number	as of state:		
		CPU-HW	CPU-FW	DPM-FW
CPU 314ST/DPM	VIPA 314-6CF03	01	V360	V312

Target audience

The manual is targeted at users who have a background in automation technology.

Structure of the manual

The manual consists of chapters. Every chapter provides a self-contained description of a specific topic.

Guide to the document

The following guides are available in the manual:

- an overall table of contents at the beginning of the manual
- an overview of the topics for every chapter

Availability

The manual is available in:

- printed form, on paper
- in electronic form as PDF-file (Adobe Acrobat Reader)

Icons Headings

Important passages in the text are highlighted by following icons and headings:



Danger!

Immediate or likely danger.
Personal injury is possible.



Attention!

Damages to property is likely if these warnings are not heeded.



Note!

Supplementary information and useful tips.

Safety information

Applications conforming with specifications

The SPEED7 CPU is constructed and produced for:

- all VIPA System 300S components
- communication and process control
- general control and automation applications
- industrial applications
- operation within the environmental conditions specified in the technical data
- installation into a cubicle



Danger!

This device is not certified for applications in

- in explosive environments (EX-zone)

Documentation

The manual must be available to all personnel in the

- project design department
- installation department
- commissioning
- operation



The following conditions must be met before using or commissioning the components described in this manual:

- Hardware modifications to the process control system should only be carried out when the system has been disconnected from power!
- Installation and hardware modifications only by properly trained personnel.
- The national rules and regulations of the respective country must be satisfied (installation, safety, EMC ...)

Disposal

National rules and regulations apply to the disposal of the unit!

Chapter 1 Basics

Overview This Basics contain hints for the usage and information about the project engineering of a SPEED7 system from VIPA.
 General information about the System 300S like dimensions and environment conditions will also be found.

Content	Topic	Page
	Chapter 1 Basics	1-1
	Safety Information for Users	1-2
	Operating structure of a CPU	1-3
	CPU 314-6CF03.....	1-6

Safety Information for Users

Handling of electrostatic sensitive modules

VIPA modules make use of highly integrated components in MOS-Technology. These components are extremely sensitive to over-voltages that can occur during electrostatic discharges.

The following symbol is attached to modules that can be destroyed by electrostatic discharges.



The Symbol is located on the module, the module rack or on packing material and it indicates the presence of electrostatic sensitive equipment.

It is possible that electrostatic sensitive equipment is destroyed by energies and voltages that are far less than the human threshold of perception. These voltages can occur where persons do not discharge themselves before handling electrostatic sensitive modules and they can damage components thereby, causing the module to become inoperable or unusable.

Modules that have been damaged by electrostatic discharges can fail after a temperature change, mechanical shock or changes in the electrical load.

Only the consequent implementation of protection devices and meticulous attention to the applicable rules and regulations for handling the respective equipment can prevent failures of electrostatic sensitive modules.

Shipping of electrostatic sensitive modules

Modules must be shipped in the original packing material.

Measurements and alterations on electrostatic sensitive modules

When you are conducting measurements on electrostatic sensitive modules you should take the following precautions:

- Floating instruments must be discharged before use.
- Instruments must be grounded.

Modifying electrostatic sensitive modules you should only use soldering irons with grounded tips.



Attention!

Personnel and instruments should be grounded when working on electrostatic sensitive modules.

Operating structure of a CPU

General	<p>The CPU contains a standard processor with internal program memory. In combination with the integrated SPEED7 technology the unit provides a powerful solution for process automation applications within the System 300S family.</p> <p>A CPU supports the following modes of operation:</p> <ul style="list-style-type: none">• cyclic operation• timer processing• alarm controlled operation• priority based processing
Cyclic processing	<p>Cyclic processing represents the major portion of all the processes that are executed in the CPU. Identical sequences of operations are repeated in a never-ending cycle.</p>
Timer processing	<p>Where a process requires control signals at constant intervals you can initiate certain operations based upon a timer, e.g. not critical monitoring functions at one-second intervals.</p>
Alarm controlled processing	<p>If a process signal requires a quick response you would allocate this signal to an alarm controlled procedure. An alarm can activate a procedure in your program.</p>
Priority based processing	<p>The above processes are handled by the CPU in accordance with their priority. Since a timer or an alarm event requires a quick reaction, the CPU will interrupt the cyclic processing when these high-priority events occur to react to the event. Cyclic processing will resume, once the reaction has been processed. This means that cyclic processing has the lowest priority.</p>

Applications

The program that is present in every CPU is divided as follows:

- System routine
- User application

System routine

The system routine organizes all those functions and procedures of the CPU that are not related to a specific control application.

User application

This consists of all the functions that are required for the processing of a specific control application. The operating modules provide the interfaces to the system routines.

Operands

The following series of operands is available for programming the CPU:

- Process image and periphery
- Bit memory
- Timers and counters
- Data blocks

Process image and periphery

The user application can quickly access the process image of the inputs and outputs PAA/PAE. You may manipulate the following types of data:

- individual Bits
- Bytes
- Words
- Double words

You may also gain direct access to peripheral modules via the bus from user application. The following types of data are available:

- Bytes
- Words
- Blocks

Bit Memory The bit memory is an area of memory that is accessible by means of certain operations. Bit memory is intended to store frequently used working data.

You may access the following types of data:

- individual Bits
- Bytes
- Words
- Double words

Timers and counters In your program you may load cells of the timer with a value between 10ms and 9990s. As soon as the user application executes a start-operation, the value of this timer is decremented by the interval that you have specified until it reaches zero.

You may load counter cells with an initial value (max. 999) and increment or decrement these when required.

Data Blocks A data block contains constants or variables in the form of bytes, words or double words. You may always access the current data block by means of operands.

You may access the following types of data:

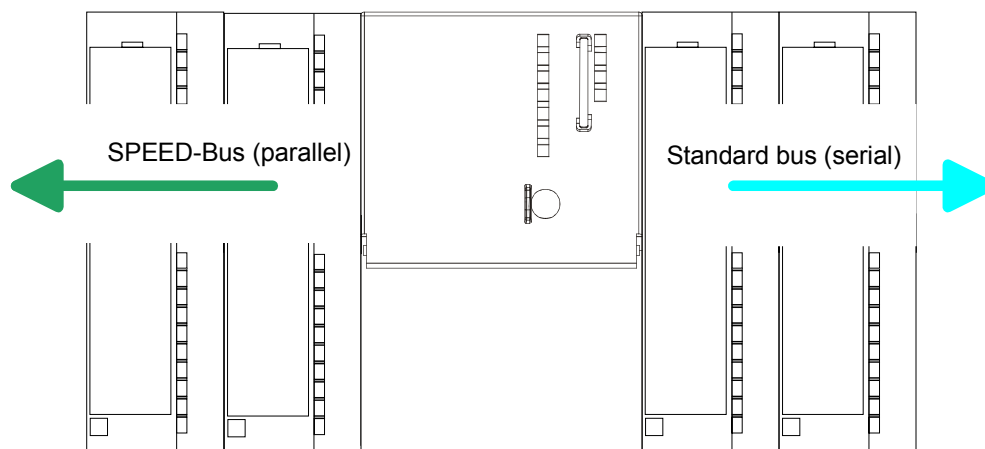
- individual Bits
- Bytes
- Words
- Double words

CPU 314-6CF03

Overview

The CPU 314-6CF03 bases upon the SPEED7 technology. This supports the CPU at programming and communication by means of co-processors that causes a power improvement for highest needs.

The SPEED7-CPU is provided with a parallel SPEED-Bus that enables the additional connection of up to 10 modules from the SPEED-Bus periphery. While the standard peripheral modules are plugged-in at the right side of the CPU, the SPEED bus peripheral modules are connected via a SPEED-Bus bus connector at the left side of the CPU.



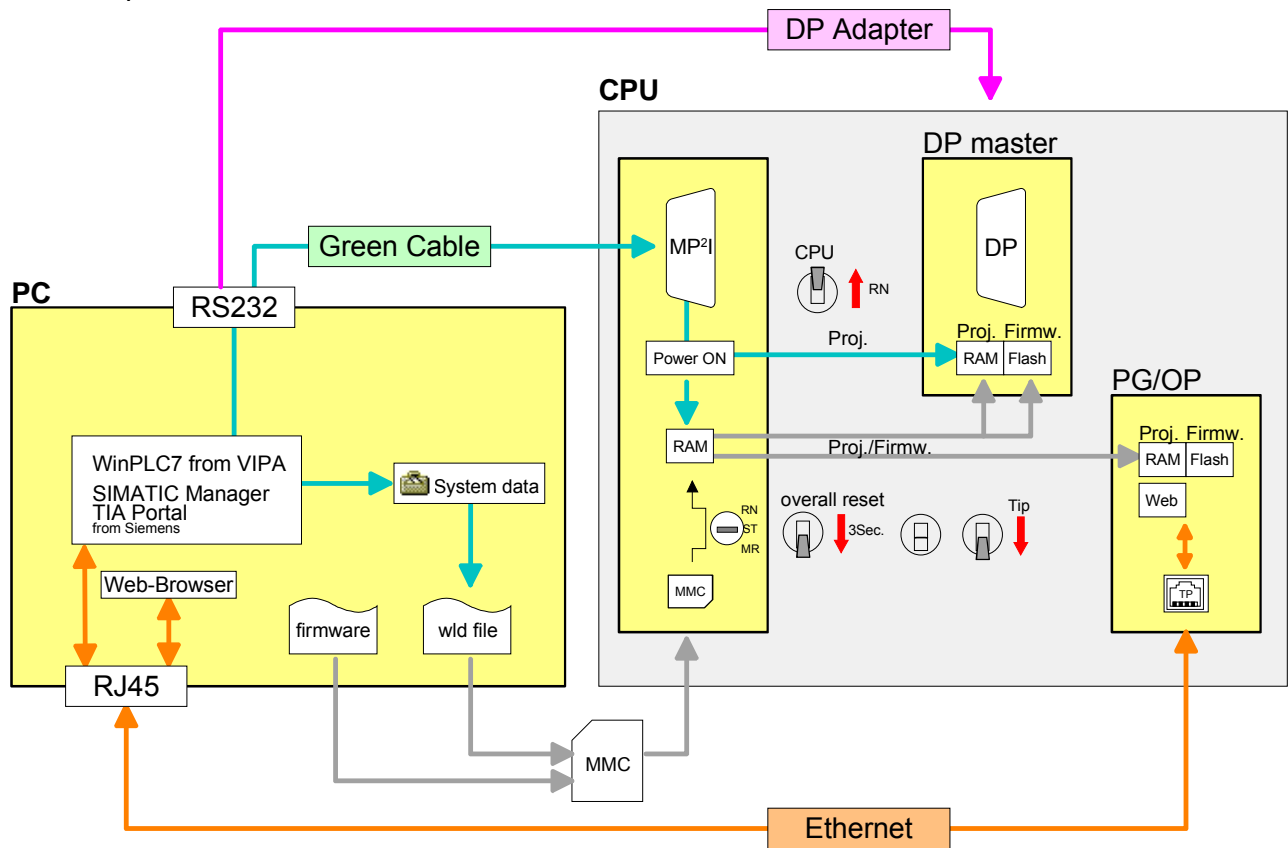
The SPEED7 CPUs from VIPA are instruction compatible to the programming language STEP[®]7 from Siemens and may be programmed via WinPLC7 from VIPA, SIMATIC Manager or TIA Portal from Siemens. Here the instruction set of the S7-400 from Siemens is used.

Modules and CPUs of the System 300S from VIPA and Siemens may be used at the "Standard" bus as a mixed configuration.

The user application is stored in the battery buffered RAM or on an additionally pluggable MMC storage module.

The CPU is configured as CPU 317-2 (6ES7 317-2AJ10-0AB0/V2.6) from Siemens.

Access options



Note!

Please do always use the **CPU 317-2 (6ES7 317-2AJ10-0AB0/V2.6)** from Siemens of the hardware catalog to project a SPEED7-CPU from VIPA. For the project engineering, a thorough knowledge of the according Siemens configuration tool is required!

Memory management

The CPU has an integrated memory. Information about the capacity (min. capacity ... max capacity) of the memory may be found at the front of the CPU.

The memory is divided into the following 3 parts:

- Load memory 2MB
- Code memory (50% of the work memory)
- Data memory (50% of the work memory)

The work memory has 512kbyte. There is the possibility to extend the work memory to its maximum printed capacity 2MB by means of a MCC memory extension card.

SPEED-Bus	<p>The SPEED-Bus is a 32bit parallel bus developed from VIPA with a maximum data rate of 40Mbyte/s. Via the SPEED-Bus you may connect up to 10 SPEED-Bus modules to your CPU 314-6CF03.</p> <p>In opposite to the "standard" backplane bus where the modules are plugged-in at the right side of the CPU by means of single bus connectors, the modules at the SPEED-Bus are plugged-in at the left side of the CPU via a special SPEED-Bus rail.</p> <p>VIPA delivers profile rails with integrated SPEED-Bus for 2, 6, or 10 SPEED-Bus peripheral modules with different lengths.</p>
Integrated PROFIBUS DP master	<p>The CPU has an integrated PROFIBUS DP master, which also may be used as PROFIBUS DP slave.</p> <p>The project engineering takes place or in the hardware configurator from Siemens in WinPLC7 from VIPA.</p>
Integrated Ethernet PG/OP channel	<p>The CPU has an Ethernet interface for PG/OP communication. Via the "PLC" functions you may directly access the Ethernet PG/OP channel and program res. remote control your CPU. A max. of 4 PG/OP connections is available. You may also access the CPU with a visualization software via these connections.</p>
Operation Security	<ul style="list-style-type: none"> • Wiring by means of spring pressure connections (CageClamps) at the front connector • Core cross-section 0.08...2.5mm² • Total isolation of the wiring at module change • Potential separation of all modules to the backplane bus • ESD/Burst acc. IEC 61000-4-2/IEC 61000-4-4 (up to level 3) • Shock resistance acc. IEC 60068-2-6 / IEC 60068-2-27 (1G/12G)
Environmental conditions	<ul style="list-style-type: none"> • Operating temperature: 0 ... +60°C • Storage temperature: -25 ... +70°C • Relative humidity: 5 ... 95% without condensation • Ventilation by means of a fan is not required
Dimensions/ Weight	<ul style="list-style-type: none"> • Dimensions of the basic enclosure: 2tier width: (WxHxD) in mm: 80x125x120
Integrated power supply	<p>The CPU has an integrated power supply. The power supply has to be provided with DC 24V. For this serves the double DC 24V slot, that is underneath the flap. Via the power supply not only the internal electronic is provided with voltage, but by means of the backplane bus (SPEED and standard bus) also the connected modules.</p> <p>The power supply is protected against polarity inversion and overcurrent. The internal electronic is galvanically connected with the supply voltage.</p> <p>Each SPEED-Bus rail has a slot for an external power supply. This allows you to raise the maximum current at the back plane bus. The deployment of this external power supply at the CPU 314-6CF03 is not permitted.</p>

Chapter 2 Assembly and installation guidelines

Overview

In this chapter you will find all information, required for the installation and the cabling of a process control with the components of a CPU 314-6CF03 in the System 300S.

Content

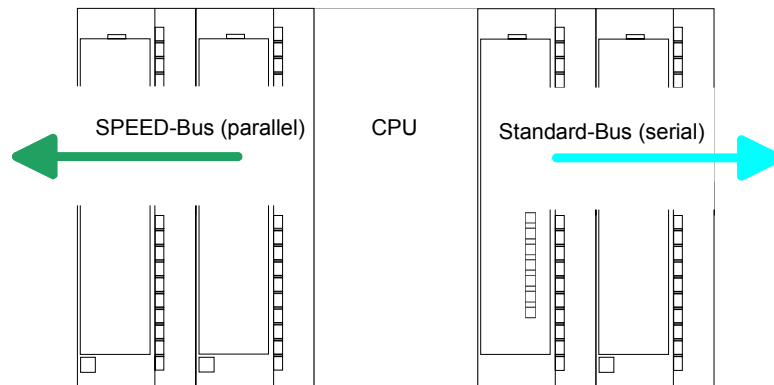
Topic	Page
Chapter 2 Assembly and installation guidelines.....	2-1
Overview	2-2
Installation dimensions	2-3
Assembly SPEED-Bus	2-4
Assembly standard bus	2-8
Cabling	2-10
Installation guidelines	2-12

Overview

General

This CPU is provided with a parallel SPEED-Bus that enables the additional connection of up to 10 modules from the SPEED-Bus periphery. While the standard peripheral modules are plugged-in at the right side of the CPU, the SPEED-Bus peripheral modules are connected via a SPEED-Bus bus connector at the left side of the CPU.

VIPA delivers profile rails with integrated SPEED-Bus for 2, 6 or 10 SPEED-Bus peripheral modules with different lengths.



Serial Standard bus

The single modules are directly installed on a profile rail and connected via the backplane bus coupler. Before installing the modules you have to clip the backplane bus coupler to the module from the backside. The backplane bus couplers are included in the delivery of the peripheral modules.

Parallel SPEED-Bus

With SPEED-Bus the bus connection happens via a SPEED-Bus rail integrated in the profile rail at the left side of the CPU. Due to the parallel SPEED-Bus not all slots must be occupied in sequence.

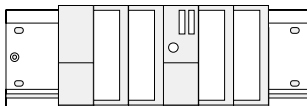
SLOT 1 for additional power supply

At slot (SLOT 1 DCDC) you may plug either a SPEED-Bus module or an additional power supply.

Assembly possibilities

You may assemble the System 300 horizontally, vertically or lying.

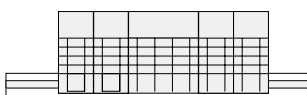
horizontal assembly



vertical assembly



lying assembly



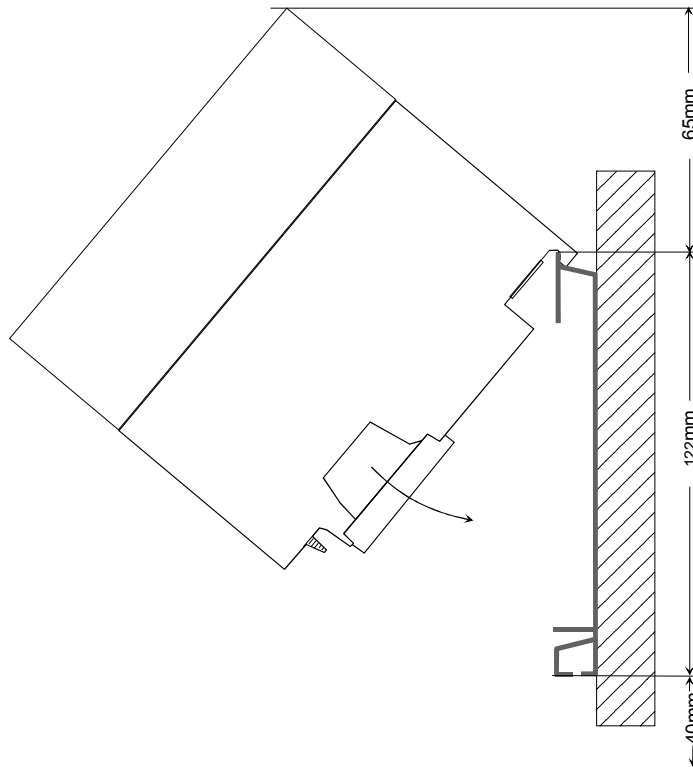
Please regard the allowed environment temperatures:

- horizontal assembly: from 0 to 60°C
- vertical assembly: from 0 to 40°C
- lying assembly: from 0 to 40°C

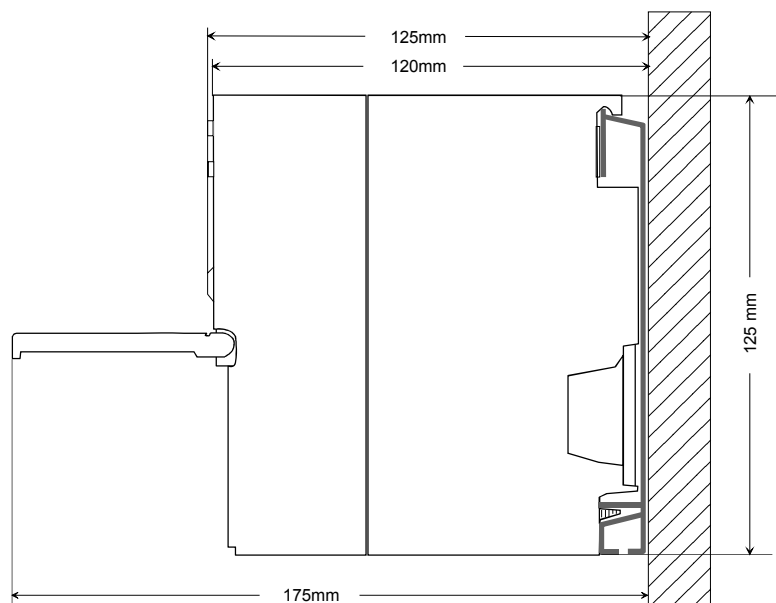
Installation dimensions

Dimensions 2tier width (WxHxD) in mm: 80 x 125 x 120
Basic enclosure

Dimensions



Installation dimensions



Assembly SPEED-Bus

Pre-manufactured SPEED-Bus profile rail

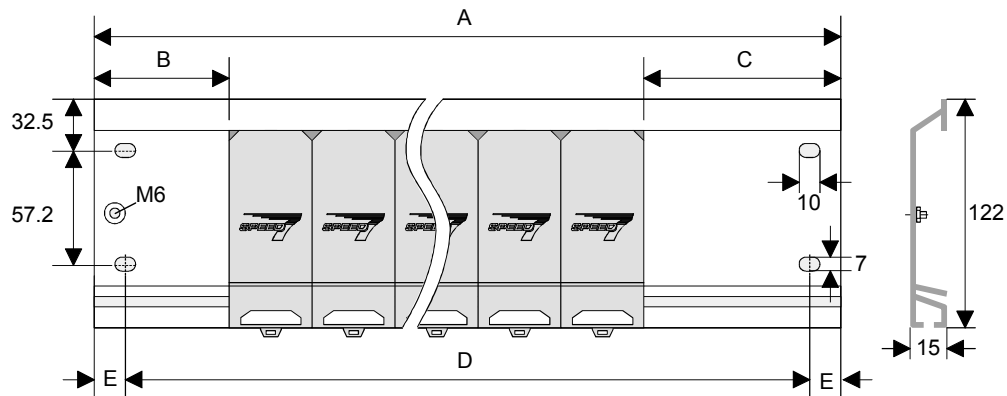
For the deployment of SPEED-Bus modules, a pre-manufactured SPEED-Bus rail is required. This is available mounted on a profile rail with 2, 6 or 10 extension plug-in locations.



Dimensions

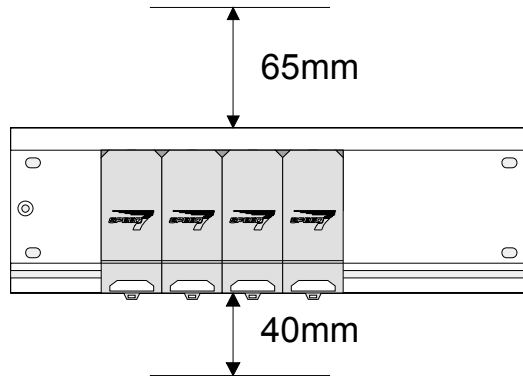
Order number	Number of modules SPEED-Bus/Standard bus	A	B	C	D	E
VIPA 391-1AF10	2/6	530	100	268	510	10
VIPA 391-1AF30	6/2	530	100	105	510	10
VIPA 391-1AF50	10/0	530	20	20	510	10
VIPA 391-1AJ10	2/15	830	22	645	800	15
VIPA 391-1AJ30	6/11	830	22	480	800	15
VIPA 391-1AJ50	10/7	830	22	320	800	15

Measures in mm

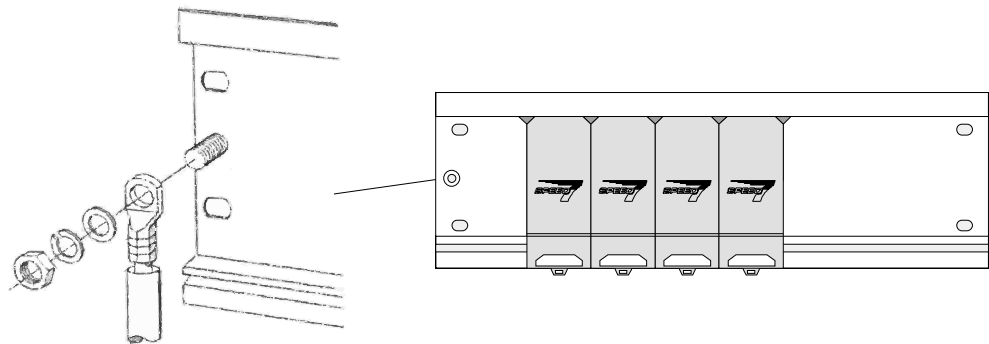


Installation of the profile rail

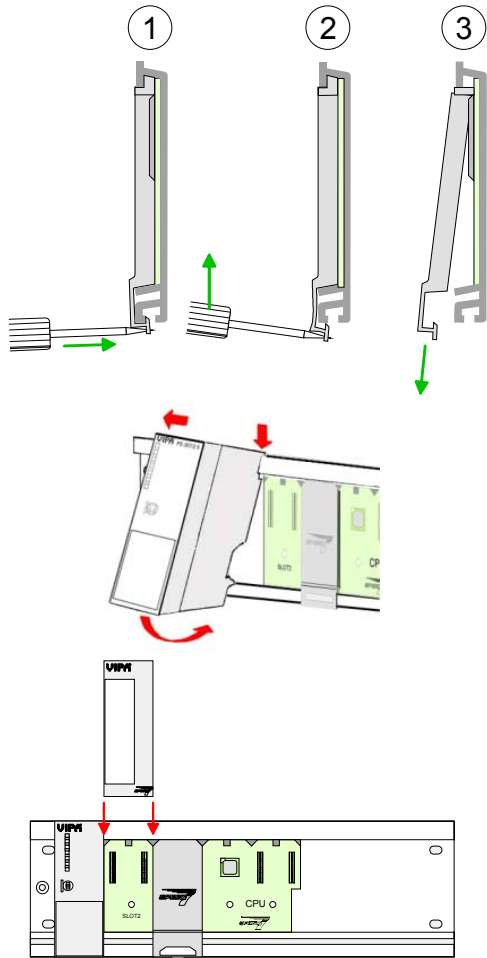
- Bolt the profile rail with the background (screw size: M6), so that you still have minimum 65mm space above and 40mm below the profile rail.
- Please look for a low-impedance connection between profile rail and background



- Connect the profile rail with the protected earth conductor. The minimum cross-section of the cable to the protected earth conductor has to be 10mm².



**Installation
SPEED-Bus
module**

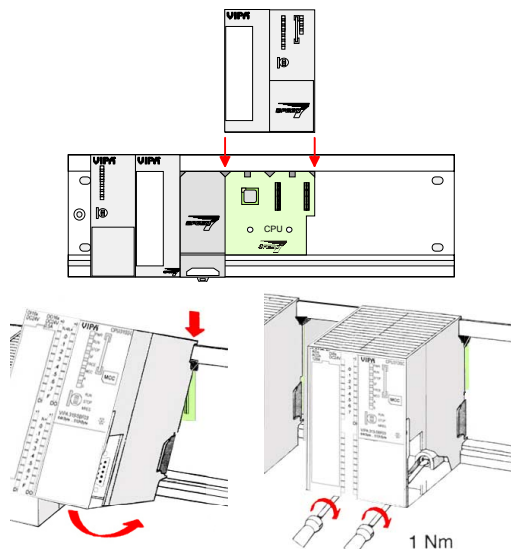


- Dismantle the according protection flaps of the SPEED-Bus plug-in locations with a screw driver (open and pull down).
For the SPEED-Bus is a parallel bus, not all SPEED-Bus plug-in locations must be used in series. Leave the protection flap installed at an unused SPEED-Bus plug-in location.

- At deployment of a DC 24V power supply, install it at the shown position at the profile rail at the left side of the SPEED-Bus and push it to the left to the isolation bolt of the profile rail.
- Fix the power supply by screwing.

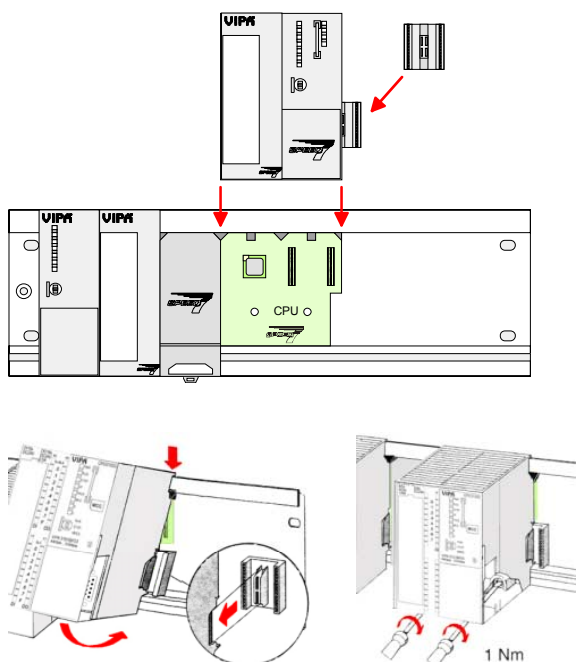
- To connect the SPEED-Bus modules, plug it between the triangular positioning helps to a plug-in location marked with "SLOT ..." and pull it down.
- On "SLOT DCDC" you can only plug-in SPEED-Bus modules. The deployment of the additional power supply (Co power supply) provided for it is not permitted!
- Fix the modules by screwing.

**Installation CPU
without Standard-
Bus-Modules**



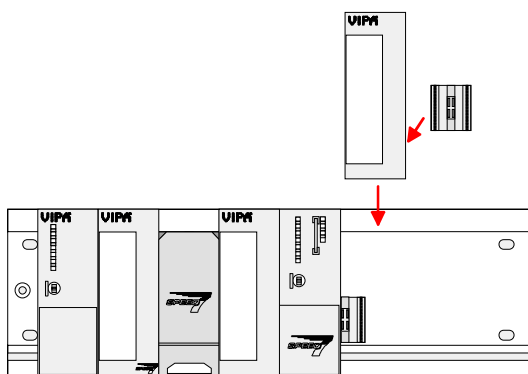
- To deploy the SPEED7-CPU exclusively at the SPEED-Bus, plug it between the triangular positioning helps to the plug-in location marked with "CPU SPEED7" and pull it down.
- Fix the CPU by screwing.

Installation CPU with Standard-Bus- Modules



- If also standard modules shall be plugged, take a bus coupler and click it at the CPU from behind like shown in the picture.
- Plug the CPU between the triangular positioning helps to the plug-in location marked with "CPU SPEED7" and pull it down.
- Fix the CPU by screwing.

Installation Standard-Bus- Modules



- Repeat this procedure with the peripheral modules, by clicking a backplane bus coupler, stick the module right from the modules you've already fixed, click it downwards and connect it with the backplane bus coupler of the last module and bolt it.



Danger!

- Before installing or overhauling the System 300V, the power supplies must be disconnected from voltage (pull the plug or remove the fuse)!
- Installation and modifications only by properly trained personnel!

Assembly standard bus

General

The single modules are directly installed on a profile rail and connected via the backplane bus connector. Before installing the modules you have to clip the backplane bus connector to the module from the backside.

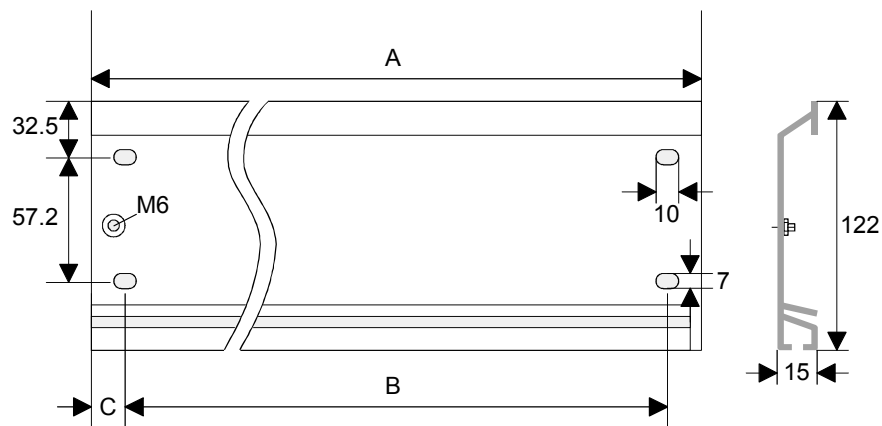
The backplane bus connector is delivered together with the peripheral modules.

Profile rail

Order number	A	B	C
VIPA 390-1AB60	160	140	10
VIPA 390-1AE80	482	466	8.3
VIPA 390-1AF30	530	500	15
VIPA 390-1AJ30	830	800	15
VIPA 390-9BC00*	2000	Drillings only left	15

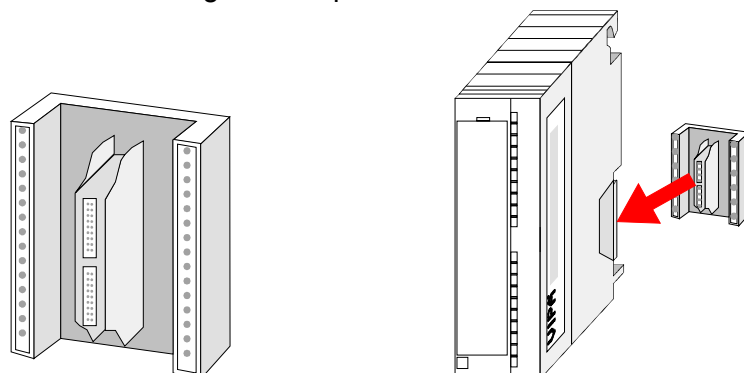
* Unit pack: 10 pieces

Measures in mm



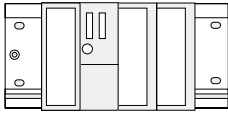
Bus connector

For the communication between the modules the System 300S uses a backplane bus connector. Backplane bus connectors are included in the delivering of the peripheral modules and are clipped at the module from the backside before installing it to the profile rail.



Assembly possibilities

horizontal assembly



lying assembly



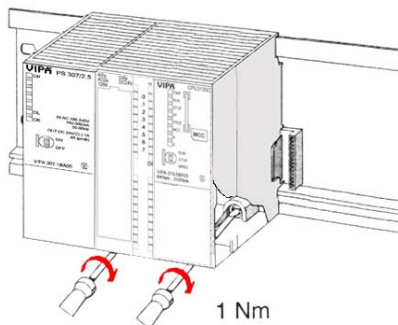
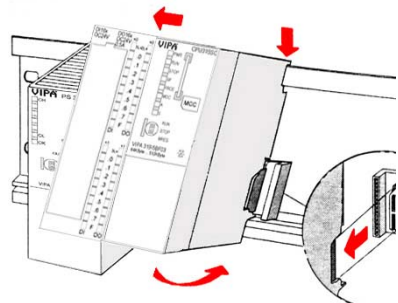
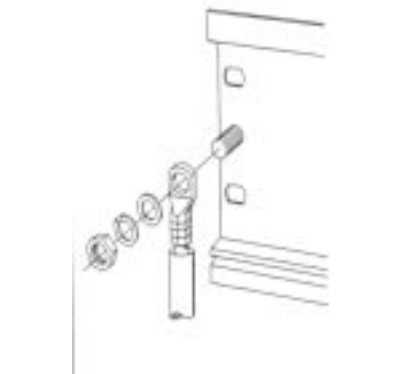
vertical assembly



Please regard the allowed environment temperatures:

- horizontal assembly: from 0 to 60°C
- vertical assembly: from 0 to 40°C
- lying assembly: from 0 to 40°C

approach



If you do not deploy SPEED-Bus modules, the assembly happens with the following approach:

- Bolt the profile rail with the background (screw size: M6), so that you still have minimum 65mm space above and 40mm below the profile rail.
- If the background is a grounded metal or device plate, please look for a low-impedance connection between profile rail and background.
- Connect the profile rail with the protected earth conductor. For this purpose there is a bolt with M6-thread.
- The minimum cross-section of the cable to the protected earth conductor has to be 10mm².
- Stick the power supply to the profile rail and pull it to the left side to the grounding bolt of the profile rail.
- Fix the power supply by screwing.
- Take a backplane bus connector and click it at the CPU from the backside like shown in the picture.
- Stick the CPU to the profile rail right from the power supply and pull it to the power supply.
- Click the CPU downwards and bolt it like shown.
- Repeat this procedure with the peripheral modules, by clicking a backplane bus connector, stick the module right from the modules you've already fixed, click it downwards and connect it with the backplane bus connector of the last module and bolt it.



Danger!

- The power supplies must be released before installation and repair tasks, i.e. before handling with the power supply or with the cabling you must disconnect current/voltage (pull plug, at fixed connection switch off the concerning fuse)!
- Installation and modifications only by properly trained personnel!

Cabling

Overview

The CPUs are exclusively delivered with CageClamp contacts. The connection of the I/O periphery happens by a 40pole front connector.



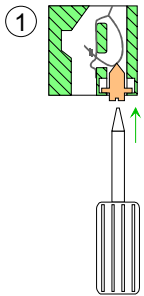
Danger!

- The power supplies must be released before installation and repair tasks, i.e. before handling with the power supply or with the cabling you must disconnect current/voltage (pull plug, at fixed connection switch off the concerning fuse)!
- Installation and modifications only by properly trained personnel!

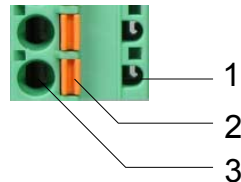
CageClamp technology (green)

For the cabling of power supply of a CPU, a green plug with CageClamp technology is deployed.

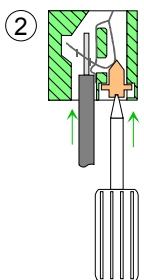
The connection clamp is realized as plug that may be clipped off carefully if it is still cabled.



Here wires with a cross-section of 0.08mm² to 2.5mm² may be connected. You can use flexible wires without end case as well as stiff wires.

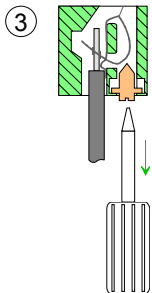


- [1] Test point for 2mm test tip
- [2] Locking (orange) for screwdriver
- [3] Round opening for wires



The picture on the left side shows the cabling step by step from top view.

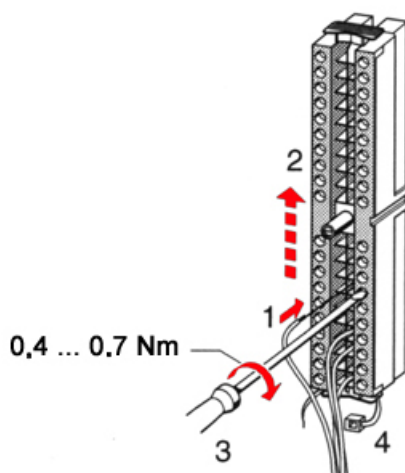
- For cabling you push the locking vertical to the inside with a suiting screwdriver and hold the screwdriver in this position.
- Insert the de-isolated wire into the round opening. You may use wires with a cross-section from 0.08mm² to 2.5mm².
- By removing the screwdriver the wire is connected safely with the plug connector via a spring.



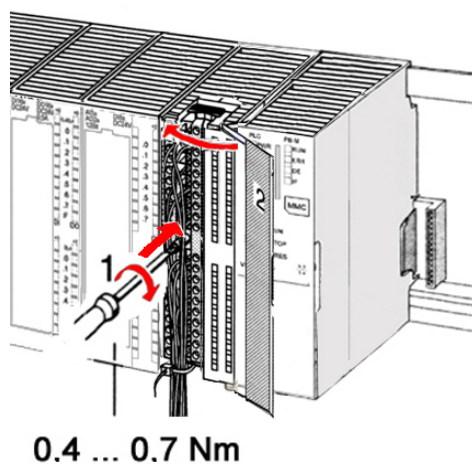
Front connectors of the in-/output periphery

In the following the cabling of the front connector is shown:

- Open the front flap of the in-/output periphery of the CPU.
- Bring the front connector in cabling position.
- For this you plug the front connector on the module until it locks. In this position the front connector juts out of the module and has no contact yet.
- De-isolate your wires. If needed, use core end cases.
- If you want to lead out your cables from the bottom of the module, start with the cabling from bottom to top, res. from top to bottom, if the cables should be led out at the top.
- Bolt also the connection screws of not cabled screw clamps.



- Fix the cable binder for the cable bundle.
- Bolt the fixing screw of the front connector. Now the front connector is electrically connected with your module.



- Close the front flap.
- Fill out the labeling strip to mark the single channels and push the strip into the front flap.

Installation guidelines

General The installation guidelines contain information about the interference free deployment of System 300S systems. There is the description of the ways, interference may occur in your control, how you can make sure the electromagnetic digestibility (EMC), and how you manage the isolation.

What means EMC? Electromagnetic digestibility (EMC) means the ability of an electrical device, to function error free in an electromagnetic environment without being interferenced res. without interfering the environment.
All System 300S components are developed for the deployment in hard industrial environments and fulfill high demands on the EMC. Nevertheless you should project an EMC planning before installing the components and take conceivable interference causes into account.

Possible interference causes Electromagnetic interferences may interfere your control via different ways:

- Fields
- I/O signal conductors
- Bus system
- Current supply
- Protected earth conductor

Depending on the spreading medium (lead bound or lead free) and the distance to the interference cause, interferences to your control occur by means of different coupling mechanisms.

One differs:

- galvanic coupling
- capacitive coupling
- inductive coupling
- radiant coupling

Basic rules for EMC

In the most times it is enough to take care of some elementary rules to guarantee the EMC. Please regard the following basic rules when installing your PLC.

- Take care of a correct area-wide grounding of the inactive metal parts when installing your components.
 - Install a central connection between the ground and the protected earth conductor system.
 - Connect all inactive metal extensive and impedance-low.
 - Please try not to use aluminum parts. Aluminum is easily oxidizing and is therefore less suitable for grounding.
- When cabling, take care of the correct line routing.
 - Organize your cabling in line groups (high voltage, current supply, signal and data lines).
 - Always lay your high voltage lines and signal res. data lines in separate channels or bundles.
 - Route the signal and data lines as near as possible beside ground areas (e.g. suspension bars, metal rails, tin cabinet).
- Proof the correct fixing of the lead isolation.
 - Data lines must be laid isolated.
 - Analog lines must be laid isolated. When transmitting signals with small amplitudes the one sided laying of the isolation may be favorable.
 - Lay the line isolation extensively on an isolation/protected earth conductor rail directly after the cabinet entry and fix the isolation with cable clamps.
 - Make sure that the isolation/protected earth conductor rail is connected impedance-low with the cabinet.
 - Use metallic or metalized plug cases for isolated data lines.
- In special use cases you should appoint special EMC actions.
 - Wire all inductivities with erase links.
 - Please consider luminescent lamps can influence signal lines.
- Create a homogeneous reference potential and ground all electrical operating supplies when possible.
 - Please take care for the targeted employment of the grounding actions. The grounding of the PLC is a protection and functionality activity.
 - Connect installation parts and cabinets with the System 300S in star topology with the isolation/protected earth conductor system. So you avoid ground loops.
 - If potential differences between installation parts and cabinets occur, lay sufficiently dimensioned potential compensation lines.

Isolation of conductors

Electrical, magnetically and electromagnetic interference fields are weakened by means of an isolation, one talks of absorption.

Via the isolation rail, that is connected conductive with the rack, interference currents are shunt via cable isolation to the ground. Hereby you have to make sure, that the connection to the protected earth conductor is impedance-low, because otherwise the interference currents may appear as interference cause.

When isolating cables you have to regard the following:

- If possible, use only cables with isolation tangle.
- The hiding power of the isolation should be higher than 80%.
- Normally you should always lay the isolation of cables on both sides. Only by means of the both-sided connection of the isolation you achieve high quality interference suppression in the higher frequency area.
Only as exception you may also lay the isolation one-sided. Then you only achieve the absorption of the lower frequencies. A one-sided isolation connection may be convenient, if:
 - the conduction of a potential compensating line is not possible
 - analog signals (some mV res. μA) are transferred
 - foil isolations (static isolations) are used.
- With data lines always use metallic or metalized plugs for serial couplings. Fix the isolation of the data line at the plug rack. Do not lay the isolation on the PIN 1 of the plug bar!
- At stationary operation it is convenient to strip the insulated cable interruption free and lay it on the isolation/protected earth conductor line.
- To fix the isolation tangles use cable clamps out of metal. The clamps must clasp the isolation extensively and have well contact.
- Lay the isolation on an isolation rail directly after the entry of the cable in the cabinet. Lead the isolation further on to the System 300S module and **don't** lay it on there again!

**Please regard at installation!**

At potential differences between the grounding points, there may be a compensation current via the isolation connected at both sides.

Remedy: Potential compensation line

Chapter 3 Hardware description

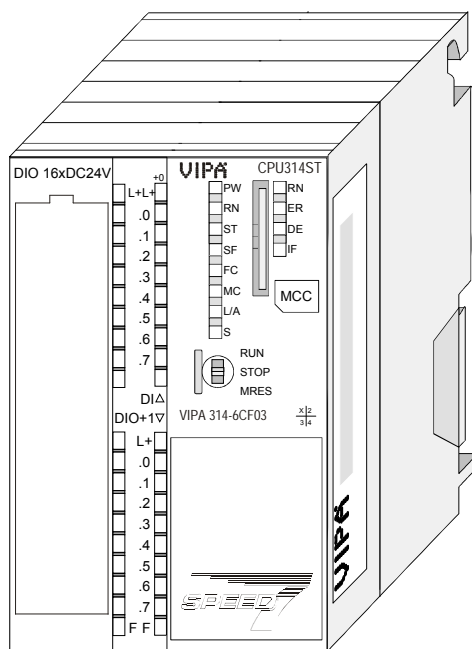
Overview Here the hardware components of the CPU 314-6CF03 are described.
The technical data are at the end of the chapter.

Content	Topic	Page
	Chapter 3 Hardware description	3-1
	Properties	3-2
	Structure	3-3
	In-/Output range CPU 314-6CF03	3-9
	Technical Data	3-11

Properties

CPU 314ST/DPM 314-6CF03

- SPEED7 technology and SPEED-Bus integrated
- 512kbyte work memory integrated (256kbyte code, 256kbyte data)
- Memory expandable to max. 2Mbyte (1Mbyte code, 1Mbyte data)
- Load memory 2Mbyte
- PROFIBUS DP master integrated (DP-V0, DP-V1)
- RS485 interface configurable for PROFIBUS DP master respectively PtP communication
- Ethernet PG/OP interface integrated
- MPI interface
- MCC slot for external memory cards and memory extension (lockable)
- Status-LEDs for operating state and diagnosis
- Real-time clock battery buffered
- Fast digital I/Os: DI 8...16xDC24V / DO 8...0xDC 24V, 0.5A
- Analog I/Os: AI 4x12Bit / AO 2x12Bit / AI 1xPt100
- 4 counter (100kHz)
- I/O address range digital/analog 8191byte
- 512 timer
- 512 counter
- 8192 flag byte

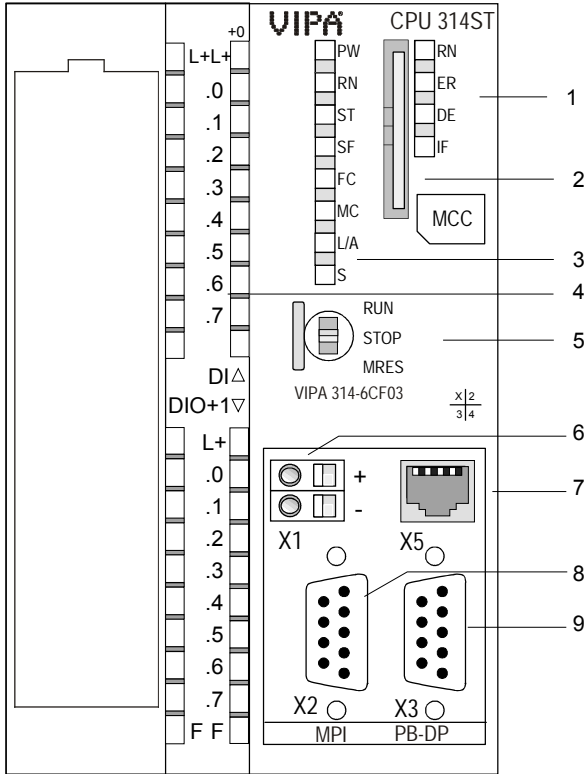


Ordering data

Type	Order number	Description
314ST/DPM	VIPA 314-6CF03	SPEED-Bus, MPI interface, card slot, real time clock, Ethernet interface for PG/OP, PROFIBUS DP master, DI 8...16xDC24V / DO 8...0xDC24V, 0.5A, AI 4x12Bit / AO 2x12Bit / AI 1xPt100, 4 Counter

Structure

CPU 314ST/DPM 314-6CF03

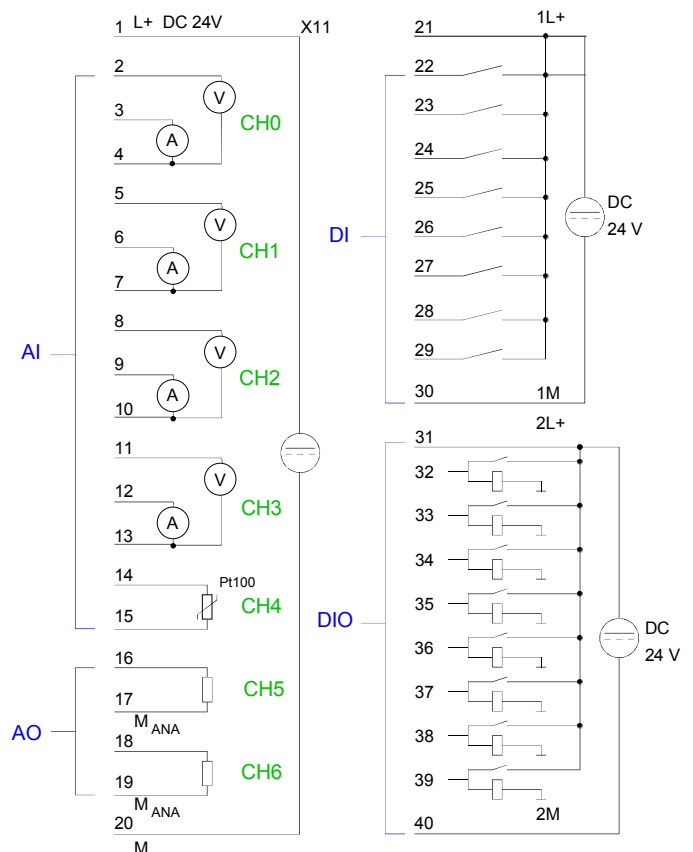
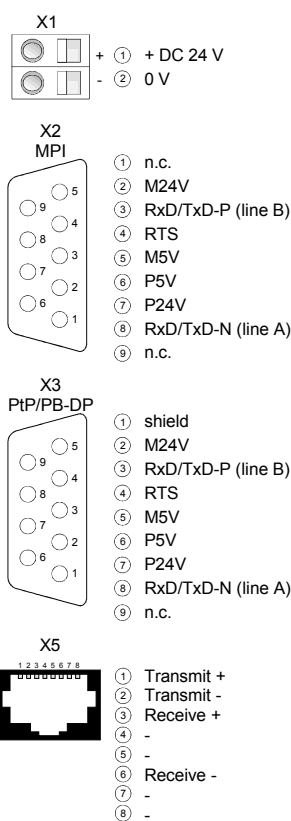


- [1] LEDs of the integrated PROFIBUS DP master
- [2] Storage media slot (lockable)
- [3] LEDs of the CPU part
- [4] LEDs of the I/O part
- [5] Operating mode switch CPU

The following components are under the front flap

- [6] Slot for DC 24V power supply
- [7] Twisted pair interface for Ethernet PG/OP channel
- [8] MPI interface
- [9] PROFIBUS DP/PtP interface

Interfaces



Power supply X1	<p>The CPU has an integrated power supply. The power supply has to be provided with DC 24V. For this serves the double DC 24V slot, that is underneath the flap.</p> <p>Via the power supply not only the internal electronic is provided with voltage, but by means of the backplane bus (SPEED and standard bus) also the connected modules.</p> <p>The power supply is protected against polarity inversion and overcurrent. The internal electronic is galvanically connected with the supply voltage.</p> <p>Each SPEED-Bus rail has a slot for an external power supply. This allows you to raise the maximum current at the back plane bus. The deployment of this external power supply at the CPU 314-6CF03 is not permitted.</p>
MPI interface X2	<p><i>9pin SubD jack:</i></p> <p>The MPI interface serves for the connection between programming unit and CPU. By means of this the project engineering and programming happens. In addition MPI serves for communication between several CPUs or between HMIs and CPU.</p> <p>Standard setting is MPI Address 2.</p>
Ethernet PG/OP channel X5	<p><i>8pin RJ45 jack:</i></p> <p>The RJ45 jack serves the interface to the Ethernet PG/OP channel. This interface allows you to program res. remote control your CPU, to access the internal website or to connect a visualization. Configurable connections are not possible.</p> <p>For online access to the CPU via Ethernet PG/OP channel valid IP address parameters have to be assigned to this. More may be found at chapter "Deployment CPU ..." at "Initialization Ethernet PG/OP channel".</p>
PROFIBUS/PtP interface with configurable functionality X3	<p>The CPU has a PROFIBUS/PtP interface with a fix pinout. After an overall reset the interface is deactivated.</p> <p>By appropriate configuration, the following functionalities for this interface may be enabled:</p> <ul style="list-style-type: none"> • PROFIBUS DP master operation • PROFIBUS DP slave operation • PtP functionality
PROFIBUS functionality	<p>The PROFIBUS master/slave functionality of this interface is activated by configuring the sub module X1 (MPI/DP) of the CPU in the hardware configuration.</p>
PtP functionality	<p>Using the <i>PtP</i> functionality the RS485 interface is allowed to connect via serial point-to-point connection to different source res. target systems. Here the following protocols are supported: ASCII, STX/ETX, 3964R, USS and Modbus-Master (ASCII, RTU) .</p> <p>The activation of the PtP functionality happens by embedding the SPEEDBUS.GSD from VIPA in the hardware catalog. After the installation the CPU may be configured in a PROFIBUS master system and here the interface may be switched to PtP communication.</p>

Memory management

The CPU has an integrated memory. Information about the capacity (min. capacity ... max capacity) of the memory may be found at the front of the CPU.

The memory is divided into the following 3 parts:

- Load memory 2MB
- Code memory (50% of the work memory)
- Data memory (50% of the work memory)

The work memory has 512kbyte. There is the possibility to extend the work memory to its maximum printed capacity 2MB by means of a MCC memory extension card.

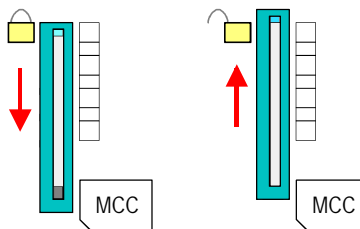
Storage media slot

As external storage medium for applications and firmware you may use a MMC storage module (**M**ultimedia **c**ard) or a MCC memory extension card. The MCC can additionally be used as an external storage medium.

Both VIPA storage media are pre-formatted with the PC format FAT16 and can be accessed via a card reader. An access to the storage media always happens after an overall reset and PowerON.

After PowerON respectively an overall reset the CPU checks, if there is a storage medium with data valid for the CPU.

Push the memory card into the slot until it snaps in leaded by a spring mechanism. This ensures contacting. By sliding down the sliding mechanism, a just installed memory card can be protected against drop out.



To remove, slide the sliding mechanism up again and push the storage media against the spring pressure until it is unlocked with a click.



Note!

Caution, if the media was already unlocked by the spring mechanism, with shifting the sliding mechanism, a just installed memory card can jump out of the slot!

Battery backup for clock and RAM

A rechargeable battery is installed on every CPU 31xS to safeguard the contents of the RAM when power is removed. This battery is also used to buffer the internal clock.

The rechargeable battery is maintained by a charging circuit that receives its power from the internal power supply and that maintain the clock and RAM for a max. period of 30 days.

**Attention!**

Please connect the CPU at least for 24 hours to the power supply, so that the internal accumulator/battery is loaded accordingly.

After a power reset and with an empty battery the CPU starts with a BAT error and executes an overall reset.

The loading procedure is not influenced by the BAT error.

The BAT error can be deleted again, if once during power cycle the time between switching on and off the power supply is at least 30sec. and the battery is fully loaded.

Otherwise with a short power cycle the BAT error still exists and an overall reset is executed.

LEDs

The CPU has got LEDs on its front side. In the following the usage and the according colors of the LEDs is described.

LEDs CPU

As soon as the CPU is supplied with 5V, the green PW-LED (Power) is on.

RN (RUN) green	ST (STOP) yellow	SF (SYSFAIL) red	FC (FRCE) yellow	MC (MCC) yellow	Meaning
Boot-up after PowerON					
●	☀*	●	●	●	* Blinking with 10Hz: Firmware is loaded.
●	●	●	●	●	Initialization: Phase 1
●	●	●	●	○	Initialization: Phase 2
●	●	●	○	○	Initialization: Phase 3
○	●	●	○	○	Initialization: Phase 4
Operation					
○	●	X	X	X	CPU is in STOP state.
☀	○	X	X	X	CPU is in start-up state, the RUN LED blinks during operating OB100 at least for 3s.
●	○	○	X	X	CPU is in state RUN without error.
X	X	●	X	X	There is a system fault. More information may be found in the diagnostics buffer of the CPU.
X	X	X	●	X	Variables are forced.
X	X	X	X	●	Access to the memory card.
Overall reset					
○	☀	X	X	X	Overall reset is requested.
○	☀*	X	X	X	* Blinking with 5Hz: Overall reset is executed.
Factory reset					
●	●	○	○	○	Factory reset is executed.
○	●	●	●	●	Factory reset finished without error.
Firmware update					
○	●	☀	☀	●	The alternate blinking indicates that there is new firmware on the memory card.
○	○	☀	☀	●	The alternate blinking indicates that a firmware update is executed.
○	●	●	●	●	Firmware update finished without error.
○	☀*	☀*	☀*	☀*	* Blinking with 10Hz: Error during Firmware update.

on: ● off: ○ blinking (2Hz): ☀ not relevant: X

**LEDs Ethernet
PG/OP channel
L/A, S**

The green L/A-LED (Link/Activity) indicates the physical connection of the Ethernet PG/OP channel to Ethernet. Irregular flashing of the L/A-LED indicates communication of the Ethernet PG/OP channel via Ethernet.

If the green S-LED (Speed) is on, the Ethernet PG/OP has a communication speed of 100MBit/s otherwise 10MBit/s.

**LEDs
PROFIBUS/PtP
interface X3**

Dependent on the mode of operation the LEDs show information about the state of operation of the PROFIBUS part according to the following pattern:

Master operation

RN (RUN) green	ER (ERR) red	DE green	IF red	Meaning
○	○	○	○	Master has no project, this means the interface is deactivated respectively PtP is active.
●	○	○	○	Master has bus parameters and is in RUN without slaves.
●	○	☀	○	Master is in "clear" state (safety state). The inputs of the slaves may be read. The outputs are disabled.
●	○	●	○	Master is in "operate" state, this means data exchange between master and slaves. The outputs may be accessed.
●	●	●	○	CPU is in RUN, at least 1 slave is missing.
●	●	☀	○	CPU is in STOP, at least 1 slave is missing.
○	○	○	●	Initialization error at faulty parameterization.
○	●	○	●	Waiting state for start command from CPU.

Slave operation

RN (RUN) green	ER (ERR) red	DE green	IF red	Meaning
○	○	○	○	Slave has no project respectively PtP is active.
☀	○	○	○	Slave is without master.
☀*	○	☀*	○	* Alternate flashing at configuration faults.
●	○	●	○	Slave exchanges data between master.

on: ● off: ○ blinking (2Hz): ☀ not relevant: X

**Operating mode
switch**



With the operating mode switch you may switch the CPU between STOP and RUN.

During the transition from STOP to RUN the operating mode START-UP is driven by the CPU.

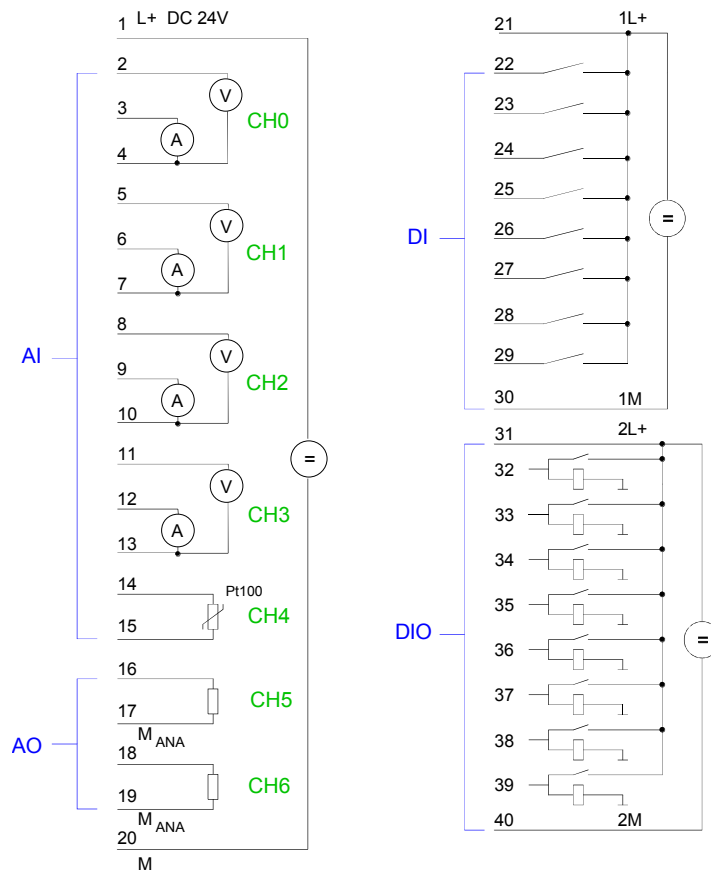
Placing the switch to MRES (Memory Reset), you request an overall reset with following load from MMC, if a project there exists.

In-/Output range CPU 314-6CF03

Overview CPU 314-6CF03

The CPU 314-6CF03 has the following analog and digital in- and output ranges integrated in one casing:

- Analog Input: 4x12Bit, 1xPt100
- Analog Output: 2x12Bit
- Digital Input: 8xDC 24V, interrupt capable, 4 counter
- Digital Output: 8xDC 24V, 0.5A



Attention!

Temporarily not used analog inputs with activated channel must be connected to the concerning ground.

Please take care that the voltage at an output channel always is \leq the supply voltage via L+.

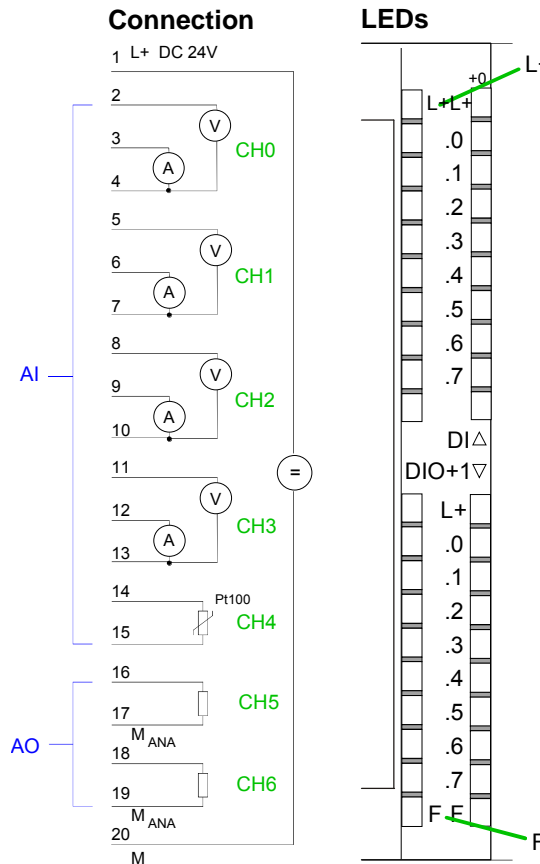
Further you have to regard that due to the parallel connection of in- and output channel per group a set output can be provided via a connected input signal.

A thus set output remains active at connected input signal also the power supply is turned off.

Nonobservance may destroy the module.

CPU 314-6CF03: Analog part pin assignment and status indicator

Pin	Assignment
1	Power supply DC 24V for analog range
2	Voltage meas. channel 0
3	Current meas. channel 0
4	Ground channel 0
5	Voltage meas. channel 1
6	Current meas. channel 1
7	Ground channel 1
8	Voltage meas. channel 2
9	Current meas. channel 2
10	Ground channel 2
11	Voltage meas. channel 3
12	Current meas. channel 3
13	Ground channel 3
14	Pt 100 channel 4
15	Pt 100 channel 4
16	Output + channel 5
17	Ground output channel 5
18	Output + channel 6
19	Ground output channel 6
20	Ground power supply for analog range

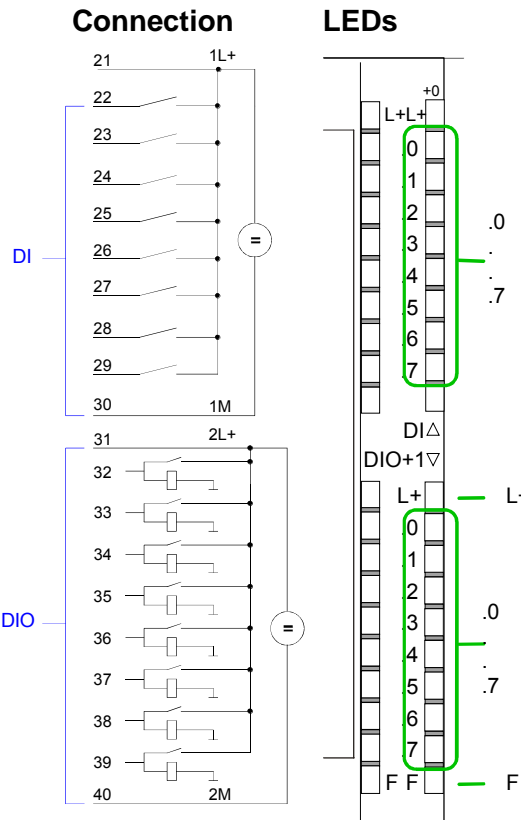


1L+
LED (green)
Supply voltage available

F
LED (red)
Sum error

CPU 314-6CF03: Digital part X12 pin assignment and status indicator

Pin	Assignment
21	Power supply +DC 24V
22	I+0.0 / Counter 0(A)
23	I+0.1 / Counter 0(B)
24	I+0.2 / Gate0/Latch0/Reset0
25	I+0.3 / Counter 1(A)
26	I+0.4 / Counter 1(B)
27	I+0.5 / Gate1/Latch1/Reset1
28	I+0.6 / Counter 2(A)
29	I+0.7 / Counter 2(B)
30	Ground DI
31	Power supply +DC 24V
32	I/Q+1.0 / Gate2/Latch2/Reset2
33	I/Q+1.1 / Counter 3(A)
34	I/Q+1.2 / Counter 3(B)
35	I/Q+1.3 / Gate3/Latch3/Reset3
36	I/Q+1.4 / OUT0/Latch0/Reset0
37	I/Q+1.5 / OUT1/Latch1/Reset1
38	I/Q+1.6 / OUT2/Latch2/Reset2
39	I/Q+1.7 / OUT3/Latch3/Reset3
40	Ground DIO



DI:
.07
LEDs (green)
I+0.0 to I+0.7
(each Byte)
Starting with app. 15V
the signal "1" at the input
is recognized and the
according LED

DIO:
2L+
LED (green)
Supply voltage available for DIO

.07
LEDs (green)
I/Q+1.0 to I/Q+1.7 on at
active output/input

F
LED (red)
Overload or short circuit
error

Technical Data

Order number	314-6CF03
Type	CPU 314ST/DPM
SPEED-Bus	✓
Technical data power supply	
Power supply (rated value)	DC 24 V
Power supply (permitted range)	DC 20.4...28.8 V
Reverse polarity protection	✓
Current consumption (no-load operation)	300 mA
Current consumption (rated value)	1 A
Inrush current	5 A
I ² t	0.5 A ² s
Max. current drain at backplane bus	2.5 A
Power loss	14 W
Technical data digital inputs	
Number of inputs	8
Cable length, shielded	1000 m
Cable length, unshielded	600 m
Rated load voltage	DC 24 V
Reverse polarity protection of rated load voltage	✓
Current consumption from load voltage L+ (without load)	70 mA
Rated value	DC 24 V
Input voltage for signal "0"	DC 0...5 V
Input voltage for signal "1"	DC 15...28.8 V
Input voltage hysteresis	-
Frequency range	-
Input resistance	-
Input current for signal "1"	6 mA
Connection of Two-Wire-BEROs possible	✓
Max. permissible BERO quiescent current	1.5 mA
Input delay of "0" to "1"	parameterizable 2.56μs - 40ms
Input delay of "1" to "0"	parameterizable 2.56μs - 40ms
Number of simultaneously utilizable inputs horizontal configuration	8
Number of simultaneously utilizable inputs vertical configuration	8
Input characteristic curve	IEC 61131-2, type 1
Initial data size	34 Byte
Technical data digital outputs	
Number of outputs	8
Cable length, shielded	1000 m
Cable length, unshielded	600 m
Rated load voltage	DC 24 V
Reverse polarity protection of rated load voltage	-
Current consumption from load voltage L+ (without load)	30 mA
Total current per group, horizontal configuration, 40°C	4 A
Total current per group, horizontal configuration, 60°C	3 A
Total current per group, vertical configuration	3 A
Output voltage signal "1" at min. current	L+ (-0.8 V)

Order number	314-6CF03
Output voltage signal "1" at max. current	L+ (-0.8 V)
Output current at signal "1", rated value	0.5 A
Output current, permitted range to 40°C	5 mA to 0.6 A
Output current, permitted range to 60°C	5 mA to 0.6 A
Output current at signal "0" max. (residual current)	100 µA
Output delay of "0" to "1"	100 µs
Output delay of "1" to "0"	100 µs
Minimum load current	-
Lamp load	5 W
Parallel switching of outputs for redundant control of a load	possible
Parallel switching of outputs for increased power	not possible
Actuation of digital input	✓
Switching frequency with resistive load	max. 2.5 kHz
Switching frequency with inductive load	max. 0.5 Hz
Switching frequency on lamp load	max. 2.5 kHz
Internal limitation of inductive shut-off voltage	L+ (-52 V)
Short-circuit protection of output	yes, electronic
Trigger level	1 A
Number of operating cycle of relay outputs	-
Switching capacity of contacts	-
Output data size	18 Byte
Technical data analog inputs	
Number of inputs	5
Cable length, shielded	200 m
Rated load voltage	DC 24 V
Reverse polarity protection of rated load voltage	✓
Current consumption from load voltage L+ (without load)	85 mA
Voltage inputs	✓
Min. input resistance (voltage range)	120 kΩ
Input voltage ranges	-10 V ... +10 V 0 V ... +10 V
Operational limit of voltage ranges	+/-0.3%
Basic error limit voltage ranges with SFU	+/-0.3%
Current inputs	✓
Max. input resistance (current range)	85 Ω
Input current ranges	-20 mA ... +20 mA 0 mA ... +20 mA +4 mA ... +20 mA
Operational limit of current ranges	+/-0.3%
Basic error limit current ranges with SFU	+/-0.2%
Resistance inputs	✓
Resistance ranges	0 ... 600 Ohm
Operational limit of resistor ranges	+/-0.4%
Basic error limit	+/-0.2%
Resistance thermometer inputs	✓
Resistance thermometer ranges	Pt100 Pt1000 Ni100 Ni1000
Operational limit of resistance thermometer ranges	+/-0.6%
Basic error limit thermoresistor ranges	+/-0.4%
Thermocouple inputs	-
Thermocouple ranges	-
Operational limit of thermocouple ranges	-
Basic error limit thermoelement ranges	-
Programmable temperature compensation	-

Order number	314-6CF03
External temperature compensation	-
Internal temperature compensation	-
Resolution in bit	12
Measurement principle	Sigma-Delta
Basic conversion time	6 ms
Noise suppression for frequency	80 dB
Initial data size	10 Byte
Technical data analog outputs	
Number of outputs	2
Cable length, shielded	200 m
Rated load voltage	DC 24 V
Reverse polarity protection of rated load voltage	✓
Current consumption from load voltage L+ (without load)	-
Voltage output short-circuit protection	-
Voltage outputs	✓
Min. load resistance (voltage range)	1 kΩ
Max. capacitive load (current range)	1 μF
Output voltage ranges	-10 V ... +10 V 0 V ... +10 V
Operational limit of voltage ranges	+/-0.4%
Basic error limit voltage ranges with SFU	+/-0.3%
Current outputs	✓
Max. in load resistance (current range)	500 Ω
Max. inductive load (current range)	10 mH
Output current ranges	-20 mA ... +20 mA 0 mA ... +20 mA +4 mA ... +20 mA
Operational limit of current ranges	+/-0.4%
Basic error limit current ranges with SFU	+/-0.3%
Settling time for ohmic load	0.2 ms
Settling time for capacitive load	0.5 ms
Settling time for inductive load	0.2 ms
Resolution in bit	12
Conversion time	1 ms
Substitute value can be applied	yes
Output data size	4 Byte
Technical data counters	
Number of counters	4
Counter width	32 Bit
Maximum input frequency	100 kHz
Maximum count frequency	100 kHz
Mode incremental encoder	✓
Mode pulse / direction	✓
Mode pulse	✓
Mode frequency counter	-
Mode period measurement	-
Gate input available	✓
Latch input available	✓
Reset input available	✓
Counter output available	✓
Load and working memory	
Load memory, integrated	2 MB
Load memory, maximum	2 MB
Work memory, integrated	512 KB
Work memory, maximal	2 MB
Memory divided in 50% program / 50% data	✓

Order number	314-6CF03
Memory card slot	MMC-Card with max. 1 GB
Hardware configuration	
Racks, max.	4
Modules per rack, max.	8 in multiple-, 32 in a single-rack configuration
Number of integrated DP master	1
Number of DP master via CP	4
Operable function modules	8
Operable communication modules PtP	8
Operable communication modules LAN	8
Status information, alarms, diagnostics	
Status display	yes
Interrupts	yes
Process alarm	no
Diagnostic interrupt	yes, parameterizable
Diagnostic functions	yes
Diagnostics information read-out	possible
Supply voltage display	green LED
Group error display	red SF LED
Channel error display	red LED per group
Command processing times	
Bit instructions, min.	0.01 μ s
Word instruction, min.	0.01 μ s
Double integer arithmetic, min.	0.01 μ s
Floating-point arithmetic, min.	0.06 μ s
Timers/Counters and their retentive characteristics	
Number of S7 counters	512
Number of S7 times	512
Data range and retentive characteristic	
Number of flags	8192 Byte
Number of data blocks	4095
Max. data blocks size	64 KB
Max. local data size per execution level	1024 Byte
Blocks	
Number of OBs	23
Number of FBs	2048
Number of FCs	2048
Maximum nesting depth per priority class	8
Maximum nesting depth additional within an error OB	4
Time	
Real-time clock buffered	✓
Clock buffered period (min.)	6 W
Accuracy (max. deviation per day)	10 s
Number of operating hours counter	8
Clock synchronization	✓
Synchronization via MPI	Master/Slave
Synchronization via Ethernet (NTP)	no
Address areas (I/O)	
Input I/O address area	8192 Byte
Output I/O address area	8192 Byte
Input process image maximal	2048 Byte
Output process image maximal	2048 Byte
Digital inputs	65536
Digital outputs	65536
Digital inputs central	1032

Order number	314-6CF03
Digital outputs central	1032
Integrated digital inputs	8
Integrated digital outputs	8
Analog inputs	1024
Analog outputs	1024
Analog inputs, central	261
Analog outputs, central	258
Integrated analog inputs	5
Integrated analog outputs	2
Communication functions	
PG/OP channel	✓
Global data communication	✓
Number of GD circuits, max.	4
Size of GD packets, max.	22 Byte
S7 basic communication	✓
S7 basic communication, user data per job	76 Byte
S7 communication	✓
S7 communication as server	✓
S7 communication as client	-
S7 communication, user data per job	160 Byte
Number of connections, max.	32
Functionality Sub-D interfaces	
Type	X2
Type of interface	RS485
Connector	Sub-D, 9-pin, female
Electrically isolated	✓
MPI	✓
MP ² I (MPI/RS232)	-
DP master	-
DP slave	-
Point-to-point interface	-
Type	X3
Type of interface	RS485
Connector	Sub-D, 9-pin, female
Electrically isolated	✓
MPI	-
MP ² I (MPI/RS232)	-
DP master	✓
DP slave	✓
Point-to-point interface	✓
CAN	-
Functionality MPI	
Number of connections, max.	32
PG/OP channel	✓
Routing	✓
Global data communication	✓
S7 basic communication	✓
S7 communication	✓
S7 communication as server	✓
S7 communication as client	-
Transmission speed, min.	19.2 kbit/s
Transmission speed, max.	12 Mbit/s
Functionality PROFIBUS master	
PG/OP channel	✓
Routing	✓

Order number	314-6CF03
S7 basic communication	✓
S7 communication	✓
S7 communication as server	✓
S7 communication as client	-
Equidistance support	-
Isochronous mode	-
SYNC/FREEZE	✓
Activation/deactivation of DP slaves	✓
Direct data exchange (slave-to-slave communication)	-
DPV1	✓
Transmission speed, min.	9.6 kbit/s
Transmission speed, max.	12 Mbit/s
Number of DP slaves, max.	124
Address range inputs, max.	1 KB
Address range outputs, max.	1 KB
User data inputs per slave, max.	244 Byte
User data outputs per slave, max.	244 Byte
Functionality PROFIBUS slave	
PG/OP channel	✓
Routing	✓
S7 communication	✓
S7 communication as server	✓
S7 communication as client	-
Direct data exchange (slave-to-slave communication)	-
DPV1	✓
Transmission speed, min.	9.6 kbit/s
Transmission speed, max.	12 Mbit/s
Automatic detection of transmission speed	-
Transfer memory inputs, max.	244 Byte
Transfer memory outputs, max.	244 Byte
Address areas, max.	32
User data per address area, max.	32 Byte
Point-to-point communication	
PtP communication	✓
Interface isolated	✓
RS232 interface	-
RS422 interface	-
RS485 interface	✓
Connector	Sub-D, 9-pin, female
Transmission speed, min.	150 bit/s
Transmission speed, max.	115.5 kbit/s
Cable length, max.	500 m
Point-to-point protocol	
ASCII protocol	✓
STX/ETX protocol	✓
3964(R) protocol	✓
RK512 protocol	-
USS master protocol	✓
Modbus master protocol	✓
Modbus slave protocol	-
Special protocols	-
Functionality RJ45 interfaces	
Type	X5
Type of interface	Ethernet 10/100 MBit
Connector	RJ45

Order number	314-6CF03
Electrically isolated	✓
PG/OP channel	✓
Productive connections	-
Housing	
Material	PPE
Mounting	Rail System 300
Mechanical data	
Dimensions (WxHxD)	80 x 125 x 120 mm
Weight	480 g
Environmental conditions	
Operating temperature	0 °C to 60 °C
Storage temperature	-25 °C to 70 °C
Certifications	
UL508 certification	in preparation

Chapter 4 Deployment CPU 314-6CF03

Overview

This chapter describes the employment of a CPU 314-6CF03 with SPEED7 technology in the System 300. The description refers directly to the CPU and to the employment in connection with peripheral modules that are mounted on a profile rail together with the CPU at the standard bus or the SPEED-Bus.

Content

Topic	Page
Chapter 4 Deployment CPU 314-6CF03	4-1
Assembly.....	4-2
Start-up behavior.....	4-2
Addressing	4-3
Hardware configuration - CPU.....	4-7
Hardware configuration - I/O modules	4-8
Hardware configuration - Ethernet PG/OP channel	4-9
Hardware configuration - SPEED-Bus	4-11
Setting standard CPU parameters.....	4-16
Setting VIPA specific CPU parameters.....	4-23
Project transfer.....	4-28
Access to the internal Web page	4-32
Operating modes.....	4-34
Overall reset.....	4-37
Firmware update	4-39
Factory reset	4-42
Slot for storage media	4-43
Memory extension with MCC.....	4-44
Extended know-how protection.....	4-45
MMC-Cmd - Auto commands	4-47
VIPA specific diagnostic entries.....	4-49
Using test functions for control and monitoring of variables	4-54

Assembly



Note!

Information about assembly and cabling may be found at chapter "Assembly and installation guidelines".

Start-up behavior

Turn on power supply	After the power supply has been switched on, the CPU changes to the operating mode the operating mode lever shows.
Default boot procedure, as delivered	When the CPU is delivered it has been reset. After a STOP→RUN transition the CPU switches to RUN without program.
Boot procedure with valid configuration in the CPU	The CPU switches to RUN with the program stored in the battery buffered RAM.
Boot procedure with empty battery	<p>The accumulator/battery is automatically loaded via the integrated power supply and guarantees a buffer for max. 30 days. If this time is exceeded, the battery may be totally discharged. This means that the battery buffered RAM is deleted.</p> <p>In this state, the CPU executes an overall reset. If a MMC is plugged, program code and data blocks are transferred from the MMC into the work memory of the CPU.</p> <p>If no MMC is plugged, the CPU transfers permanent stored "protected" blocks into the work memory if available.</p> <p>Information about storing protected blocks in the CPU is to find in this chapter at "Extended Know-how protection".</p> <p>Depending on the position of the operating mode switch, the CPU switches to RUN res. remains in STOP.</p> <p>This event is stored in the diagnostic buffer as: "Start overall reset automatically (unbuffered PowerON)".</p>



Attention!

After a power reset and with an empty battery the CPU starts with a BAT error and executes an overall reset.

The BAT error can be deleted again, if once during power cycle the time between switching on and off the power supply is at least 30sec. and the battery is fully loaded.

Otherwise with a short power cycle the BAT error still exists and an overall reset is executed.

Addressing

Overview

To provide specific addressing of the installed peripheral modules, certain addresses must be allocated in the CPU.

At the start-up of the CPU, this assigns automatically peripheral addresses for digital in-/output modules starting with 0 and ascending depending on the slot location.

If no hardware project engineering is available, the CPU stores at the addressing analog modules to even addresses starting with 256.

Modules at the SPEED-Bus are also taken into account at the automatic address allocation. Here the digital I/Os are stored beginning with address 128 and analog I/Os, FMs and CPs beginning with address 2048.

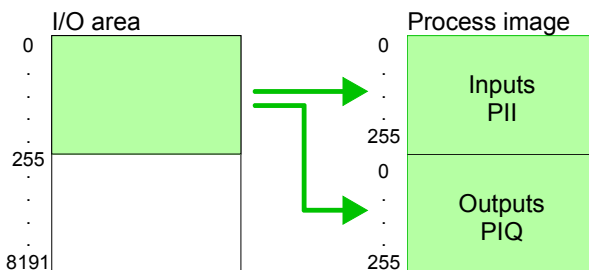
Addressing Backplane bus I/O devices

The SPEED7-CPU provides an I/O area (address 0 ... 8191) and a process image of the in- and outputs (each address 0 ... 255).

The process image stores the signal states of the lower address (0 ... 255) additionally in a separate memory area.

The process image this divided into two parts:

- process image to the inputs (PII)
- process image to the outputs (PIQ)



The process image is updated automatically when a cycle has been completed.

Max. number of pluggable modules

Maximally 8 modules per row may be configured by the VIPA CPU.

For the project engineering of more than 8 modules you may use line interface connections. For this you set in the hardware configurator the module IM 360 from the hardware catalog to slot 3 of your 1. profile rail. Now you may extend your system with up to 3 profile rails by starting each with an IM 361 from Siemens at slot 3. Considering the max total current with the CPU from VIPA up to 32 modules may be arranged in a row. Here the installation of the line connections IM 360/361 from Siemens is not required.

Further 10 modules at the SPEED-Bus may be connected. CPs and DP masters that are additionally virtual configured at the standard bus are taken into the count of 32 modules at the standard bus.

Define addresses by hardware configuration

You may access the modules with read res. write accesses to the peripheral bytes or the process image.

To define addresses a hardware configuration may be used. For this, click on the properties of the according module and set the wanted address.



Attention!

Please take care not to configure a double address assignment at connection via external PROFIBUS DP masters - required for project engineering of a SPEED-Bus system! At external DP master systems, the Siemens hardware configurator does not execute an address check!

Automatic addressing

If you do not like to use a hardware configuration, an automatic addressing comes into force.

At the automatic address allocation DIOs occupy depending on the slot location always 4byte and AIOs, FMs, CPs always 16byte at the standard bus and 256byte at the SPEED-Bus.

Depending on the slot location the start address from where on the according module is stored in the address range is calculated with the following formulas:

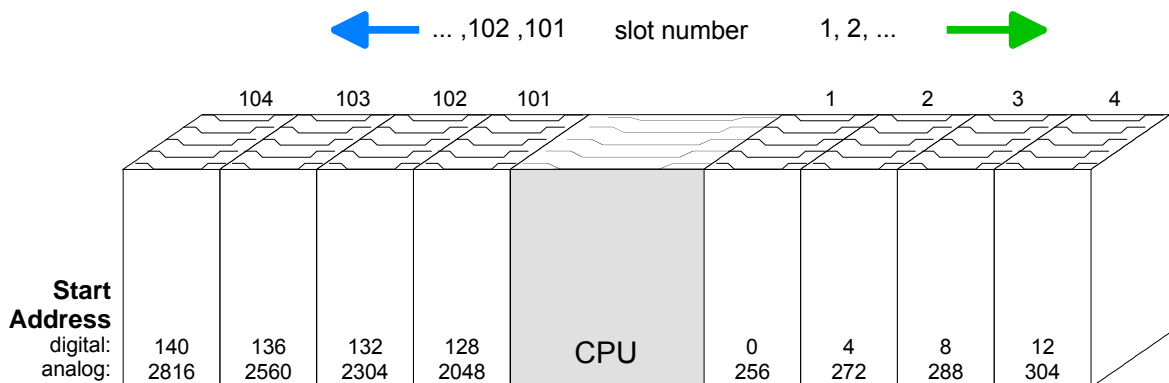
Standard bus

DIOs: Start address = $4 \cdot (\text{slot} - 1)$
 AIOs, FMs, CPs: Start address = $16 \cdot (\text{slot} - 1) + 256$

SPEED-Bus

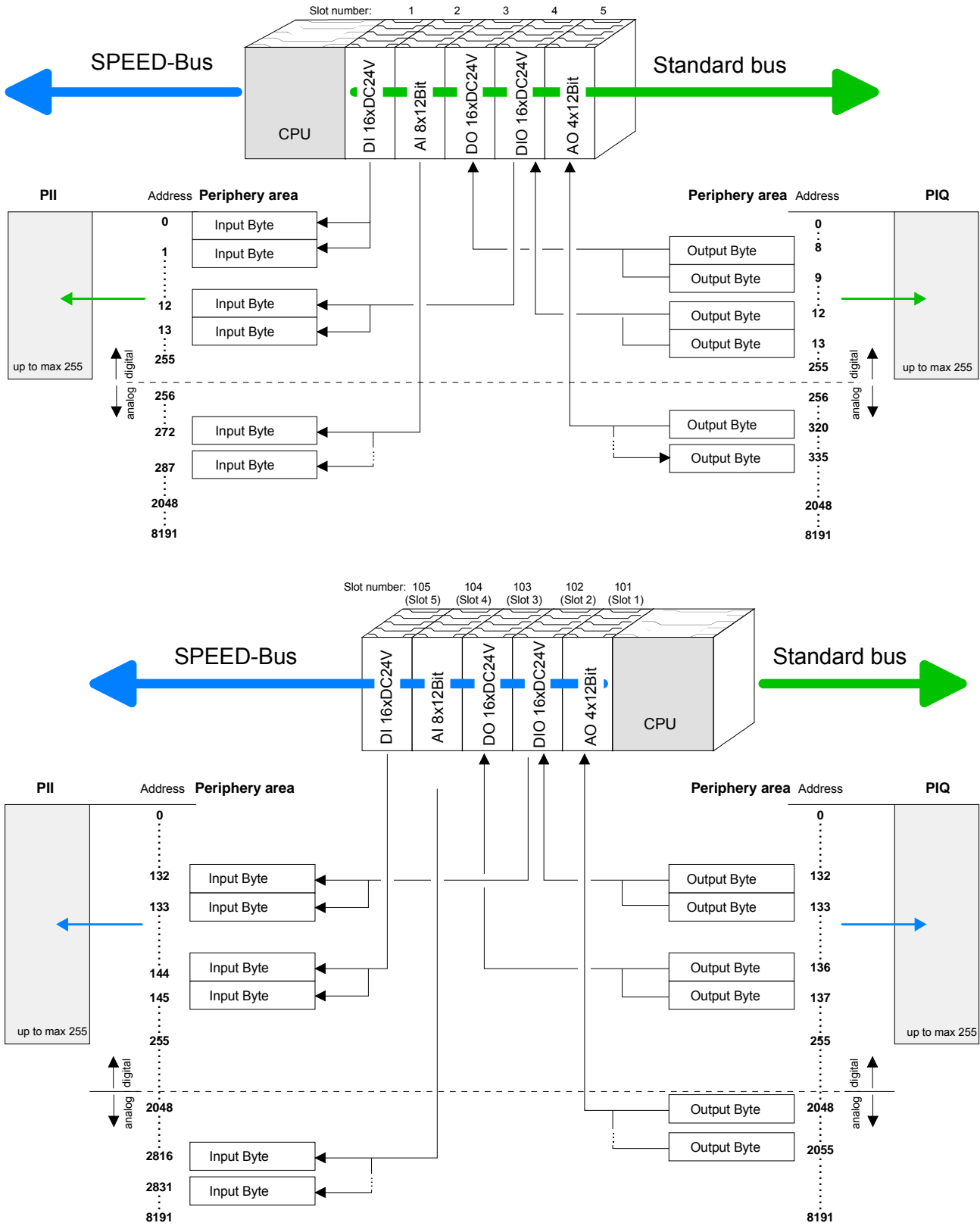
DIOs: Start address = $4 \cdot (\text{slot} - 101) + 128$
 AIOs, FMs, CPs: Start address = $256 \cdot (\text{slot} - 101) + 2048$

All information to this you may find in the following illustration:



Example for automatic address allocation

The following sample shows the functionality of the automatic address allocation separated for standard bus and SPEED-Bus:



Address assignment

By including the SPEEDBUS.GSD in your hardware configurator the module is at your disposal in the hardware catalog.

After the installation of the GSD you'll find the CPU 314-6CF03 under *Additional field devices \ I/O \ VIPA_SpeedBus*.

In case there is no hardware configuration available, the in- and output areas starting at address 1024 are shown in the address range of the CPU. For the data input a range of 48byte and for the data output a range of 24byte is available:

Input range

Address	Access	Assignment
+0	Byte	Digital Input I+0.0 ... I+0.7
+1	Byte	Digital Input I+1.0 ... I+1.7
+2	Word	reserved
+4	Word	Analog Input CH0
+6	Word	Analog Input CH1
+8	Word	Analog Input CH2
+10	Word	Analog Input CH3
+12	Word	Analog Input CH4
+14	Word	reserved
+16	Double word	Counter 0 / Latch 0
+20	Word	reserved
+22	Word	Status Counter 0
+24	Double word	Counter 1 / Latch 1
+28	Word	reserved
+30	Word	Status Counter 1
+32	Double word	Counter 2 / Latch 2
+36	Word	reserved
+38	Word	Status Counter 2
+40	Double word	Counter 3 / Latch 3
+44	Word	reserved
+46	Word	Status Counter 3

Output range

Address	Access	Assignment
+0	Byte	reserved
+1	Byte	Digital Output Q+1.0 ... Q+1.7
+2	Word	reserved
+4	Word	Analog Output CH0
+6	Word	Analog Output CH1
+8	Word	reserved
+10	Word	Status Counter 0
+12	Word	reserved
+14	Word	Status Counter 1
+16	Word	reserved
+18	Word	Status Counter 2
+20	Word	reserved
+22	Word	Status Counter 3

Hardware configuration - CPU

Requirements

The hardware configuration of the VIPA CPU takes place at the Siemens hardware configurator.

The hardware configurator is a part of the Siemens SIMATIC Manager. It serves the project engineering. The modules, which may be configured here are listed in the hardware catalog. If necessary you have to update the hardware catalog with **Options** > *Update Catalog*.

For project engineering a thorough knowledge of the Siemens SIMATIC manager and the Siemens hardware configurator are required!



Note!

Please consider that this SPEED7-CPU has 4 ACCUs. After an arithmetic operation (+I, -I, *I, /I, +D, -D, *D, /D, MOD, +R, -R, *R, /R) the content of ACCU 3 and ACCU 4 is loaded into ACCU 3 and 2.

This may cause conflicts in applications that presume an unmodified ACCU2.

For more information may be found in the manual "VIPA Operation list SPEED7" at "Differences between SPEED7 and 300V programming".

Proceeding

To be compatible with the Siemens SIMATIC manager the following steps should be executed:

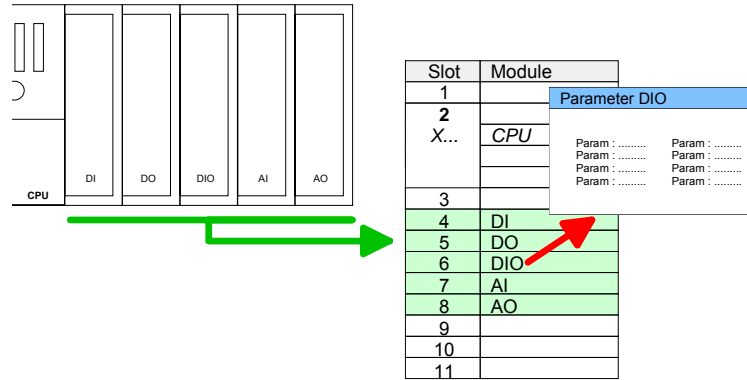
Slot	Module
1	
2	CPU 317-2DP
X1	<i>MPI/DP</i>
X2	<i>DP</i>
3	

- Start the Siemens hardware configurator with a new project.
- Insert a profile rail from the hardware catalog.
- Place at slot 2 the following CPU from Siemens:
CPU 317-2DP (6ES7 317-2AJ10-0AB0/V2.6).
- The integrated PROFIBUS DP master (X3) is to be configured and connected via the sub module X2 (DP).

Hardware configuration - I/O modules

Hardware configuration of the modules

After the hardware configuration place the System 300 modules in the plugged sequence starting with slot 4.



Parameterization

For parameterization double-click during the project engineering at the slot overview on the module you want to parameterize. In the appearing dialog window you may set the wanted parameters.

Parameterization during runtime

By using the SFCs 55, 56 and 57 you may alter and transfer parameters for wanted modules during runtime.

For this you have to store the module specific parameters in so called "record sets".

More detailed information about the structure of the record sets is to find in the according module description.

Bus extension with IM 360 and IM 361

For the project engineering of more than 8 modules you may use line interface connections. For this you set in the hardware configurator the module IM 360 from the hardware catalog to slot 3 of your 1. profile rail.

Now you may extend your system with up to 3 profile rails by starting each with an IM 361 from Siemens at slot 3. Considering the max total current with the VIPA SPEED7 CPUs up to 32 modules may be arranged in a row.

Here the installation of the line connections IM 360/361 from Siemens is not required.

Hardware configuration - Ethernet PG/OP channel

Overview

The CPU has an integrated Ethernet PG/OP channel. This channel allows you to program and remote control your CPU.

The PG/OP channel also gives you access to the internal web page that contains information about firmware version, connected I/O devices, current cycle times etc.

With the first start-up respectively after an overall reset the Ethernet PG/OP channel does not have any IP address.

For online access to the CPU via Ethernet PG/OP channel valid IP address parameters have to be assigned to this by means of the Siemens SIMATIC manager. This is called "initialization".

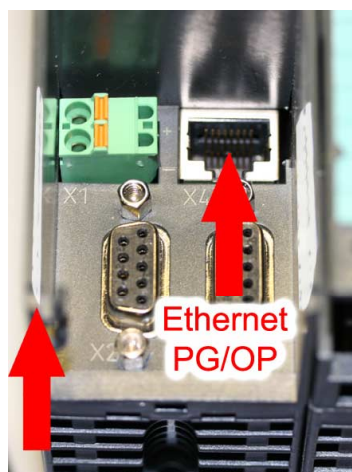
Assembly and commissioning

- Install your System 300S with your CPU.
- Wire the system by connecting cables for voltage supply and signals.
- Connect the Ethernet jack of the Ethernet PG/OP channel to Ethernet
- Switch on the power supply.
→ After a short boot time the CP is ready for communication.
He possibly has no IP address data and requires an initialization.

"Initialization" via PLC functions

The initialization via PLC functions takes place with the following proceeding:

- Determine the current Ethernet (MAC) address of your Ethernet PG/OP channel. This always may be found as 1. address under the front flap of the CPU on a sticker on the left side.



Ethernet address
Ethernet PG/OP

Assign IP address parameters

You get valid IP address parameters from your system administrator. The assignment of the IP address data happens online in the Siemens SIMATIC manager starting with version V 5.3 & SP3 with the following proceeding:

- Start the Siemens SIMATIC manager and set via **Options** > *Set PG/PC interface* the access path to "TCP/IP -> Network card".
- Open with **PLC** > *Edit Ethernet Node* the dialog window with the same name.
- To get the stations and their MAC address, use the [Browse] button or type in the MAC Address. The Mac address may be found at the 1. label beneath the front flap of the CPU.
- Choose if necessary the known MAC address of the list of found stations.
- Either type in the IP configuration like IP address, subnet mask and gateway.
- Confirm with [Assign IP configuration].



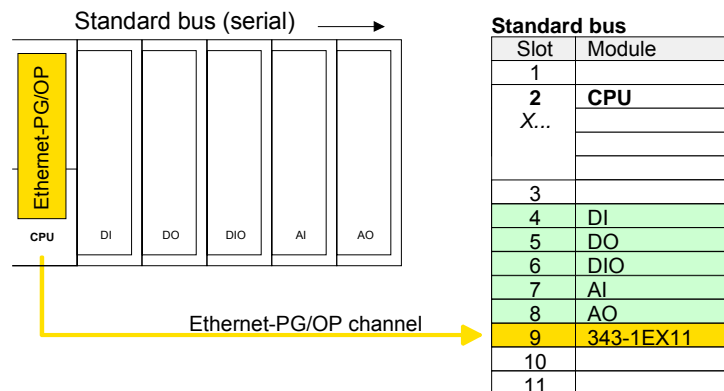
Note!

Direct after the assignment the Ethernet PG/OP channel may be reached online by these address data.

The value remains as long as it is reassigned, it is overwritten by a hardware configuration or an factory reset is executed.

Take IP address parameters in project

- Open the Siemens hardware configurator und configure the Siemens CPU 317-2DP (317-2AJ10-0AB00 V2.6).
- Configure the modules at the standard bus.
- For the Ethernet PG/OP channel you have to configure a Siemens CP 343-1 (SIMATIC 300 \ CP 300 \ Industrial Ethernet \ CP 343-1 \ 6GK7 343-1EX11 0XE0) always below the really plugged modules.
- Open the property window via double-click on the CP 343-1EX11 and enter for the CP at "Properties" the IP address data, which you have assigned before.
- Transfer your project.



Hardware configuration - SPEED-Bus

Requirements

Since the VIPA specific CPU parameters may be set and the modules on the SPEED-Bus may be configured, the installation of the SPEEDBUS.GSD from VIPA in the hardware catalog is necessary.

The CPU may be configured in a PROFIBUS master system and the appropriate parameters may be set after installation.

Installation of the SPEEDBUS.GSD

The GSD (**Geräte-Stamm-Datei**) is online available in the following language versions. Further language versions are available on inquire.

Name	Language
SPEEDBUS.GSD	german (default)
SPEEDBUS.GSG	german
SPEEDBUS.GSE	english

The GSD files may be found at www.vipa.com at the "Service" part.

The integration of the SPEEDBUS.GSD takes place with the following proceeding:

- Browse to www.vipa.com.
- Click to *Service > Download > GSD- and EDS-Files > Profibus*.
- Download the file *Cx000023_Vxxx*.
- Extract the file to your work directory. The SPEEDBUS.GSD is stored in the directory *VIPA_System_300S*.
- Start the hardware configurator from Siemens.
- Close every project.
- Select **Options > Install new GSD-file**.
- Navigate to the directory *VIPA_System_300S* and select **SPEEDBUS.GSD**.

The SPEED7 CPUs and modules of the System 300S from VIPA may now be found in the hardware catalog at *Profibus-DP / Additional field devices / I/O / VIPA_SPEEDBUS*.

Fast introduction

For the deployment of the I/O part of the CPU 314-6CF03 and the SPEED-Bus modules the installation of the SPEEDBUS.GSD from VIPA in the hardware catalog is necessary. To be compatible with the Siemens SIMATIC manager the following steps should be executed:

Standard bus

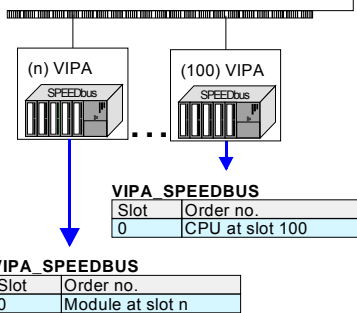
Slot	Module
1	
2	CPU 317-2DP
X1	MPI/DP
X2	DP
3	

real Modules
at the standard bus

343-1EX11 Ethernet-PG/OP

CPs resp. DP master at SPEED-Bus as 343-1EX11 resp. 342-5DA02
342-5DA02 V5.0

virtual DP master for CPU
and every SPEEDbus module



- Start the Siemens hardware configurator with a new project.
- Insert a profile rail from the hardware catalog.
- Place at slot 2 the following CPU from Siemens:
CPU 317-2DP (6ES7 317-2AJ10-0AB0/V2.6).
- The integrated PROFIBUS DP master (X3) is to be configured and connected via the sub module X2 (DP). In the operation mode PROFIBUS the CPU may further more be accessed via the MPI interface (X2) with address 2 und 187.5kbit/s.
- Starting with slot 4, place the System 300 modules in the plugged sequence.
- For the internal Ethernet PG/OP channel you have to configure a Siemens CP 343-1 (343-1EX11) always as 1. module after the modules at the bus.
- Start here to configure and link every Ethernet CP 343 - SPEED-Bus as Siemens CP 343-1 (343-1EX11) respectively every SPEED-Bus PROFIBUS DP master as Siemens CP 342-5DA02 V5.0.
- Since the SPEED-Bus modules are to be linked as a virtual PROFIBUS system, for the SPEED-Bus always as last module the Siemens DP master 342-5 (342-5DA02 V5.0) is to be configured. Link the DP master to a new PROFIBUS net and switch it to DP master operating mode.
- To this master system you assign every SPEED-Bus module as "VIPA_SPEEDBUS" slave starting with the CPU. Here the PROFIBUS address corresponds to the slot no. Beginning with 100 for the CPU. Place at slot 0 of every slave the assigned module and alter the parameters if needed.
- Let with the CPs or DP master (also virtual SPEED-Bus master) at *options* the attitude "Save configuration data on the CPU" activated!

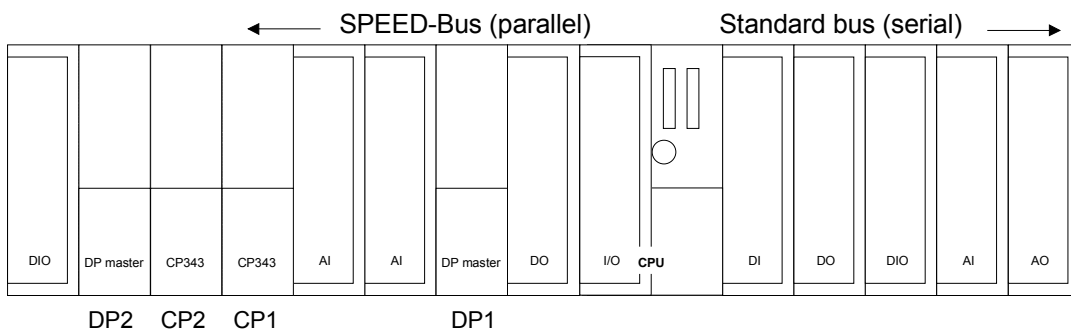
Steps of the project engineering

The following text describes the approach of the project engineering in the hardware configurator from Siemens at an abstract sample.

The project engineering is separated into 5 parts:

- Project engineering of the CPU with DP master
- Project engineering of the modules at the standard bus
- Project engineering Ethernet PG/OP channel
- Project engineering and linking of each SPEED-Bus CP 343 and DP master
- Project engineering CPU and each SPEED-Bus module in a virtual master system

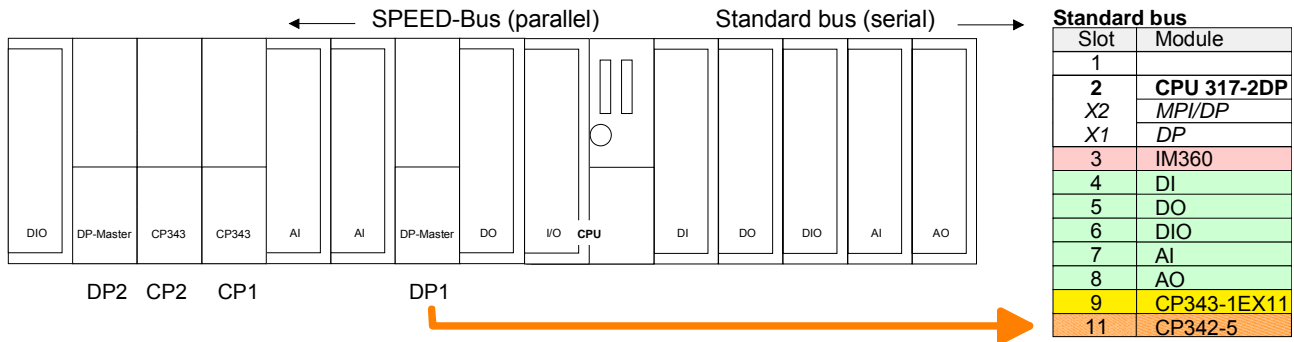
Hardware assembly



Project engineering and linking of each SPEED-Bus CP 343 and DP master

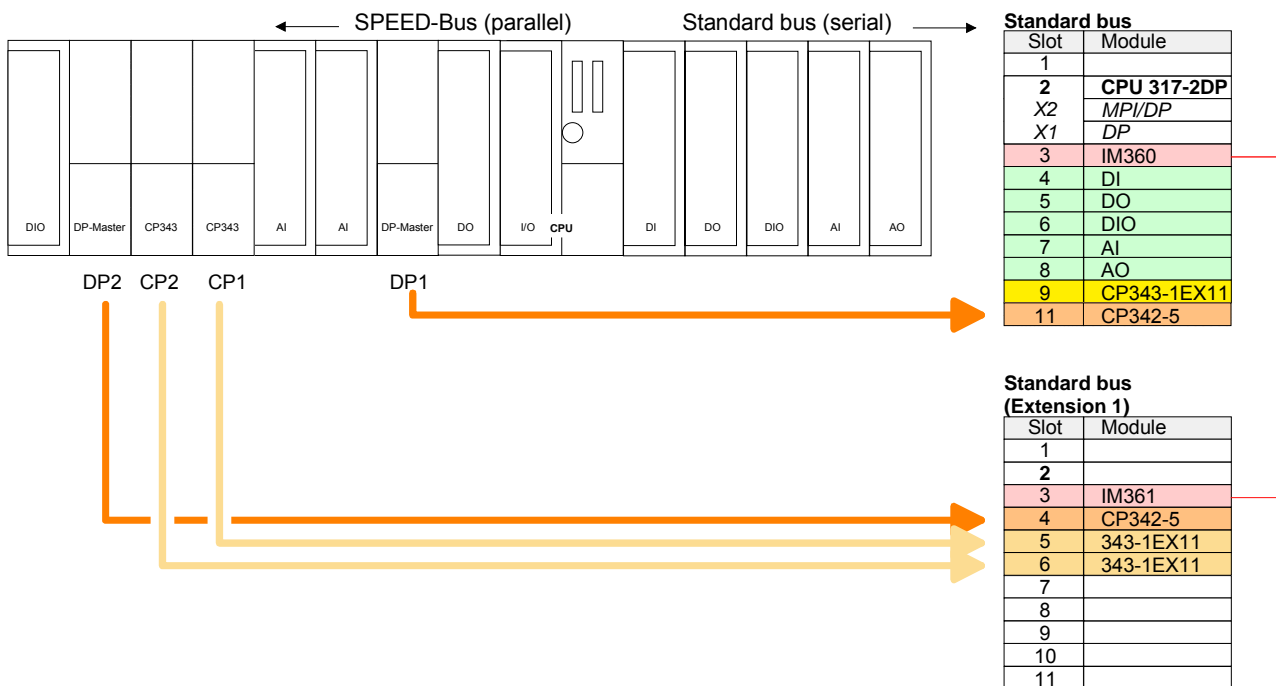
Due to the fact that an Ethernet-CP 343 - SPEED-Bus and SPEED-Bus DP master is similar in project engineering and parameterization to the corresponding CP from Siemens, for each SPEED-Bus CP a corresponding Siemens CP is to be placed and linked. Here the sequence follows the one at the SPEED-Bus from the right to the left within a function group (CP respectively DP master).

Use for each Ethernet-CP 343 - SPEED-Bus a Siemens CP 343-1 (343-1EX11) and for each SPEED-Bus PROFIBUS DP master a Siemens CP 342-5DA02 V5.0.



Bus extension with IM 360 and IM 361

Since as many as 32 modules can be addressed by the SPEED7 CPU in one row, but only 8 modules are supported by the Siemens SIMATIC manager, the IM 360 of the hardware catalog can be used as a virtual bus extension during project engineering. Here 3 further extension racks can be virtually connected via the IM 361. Bus extensions are always placed at slot 3. Place the system expansion and project the remaining CPs.



Project engineering CPU and each SPEED-Bus module in a virtual master system

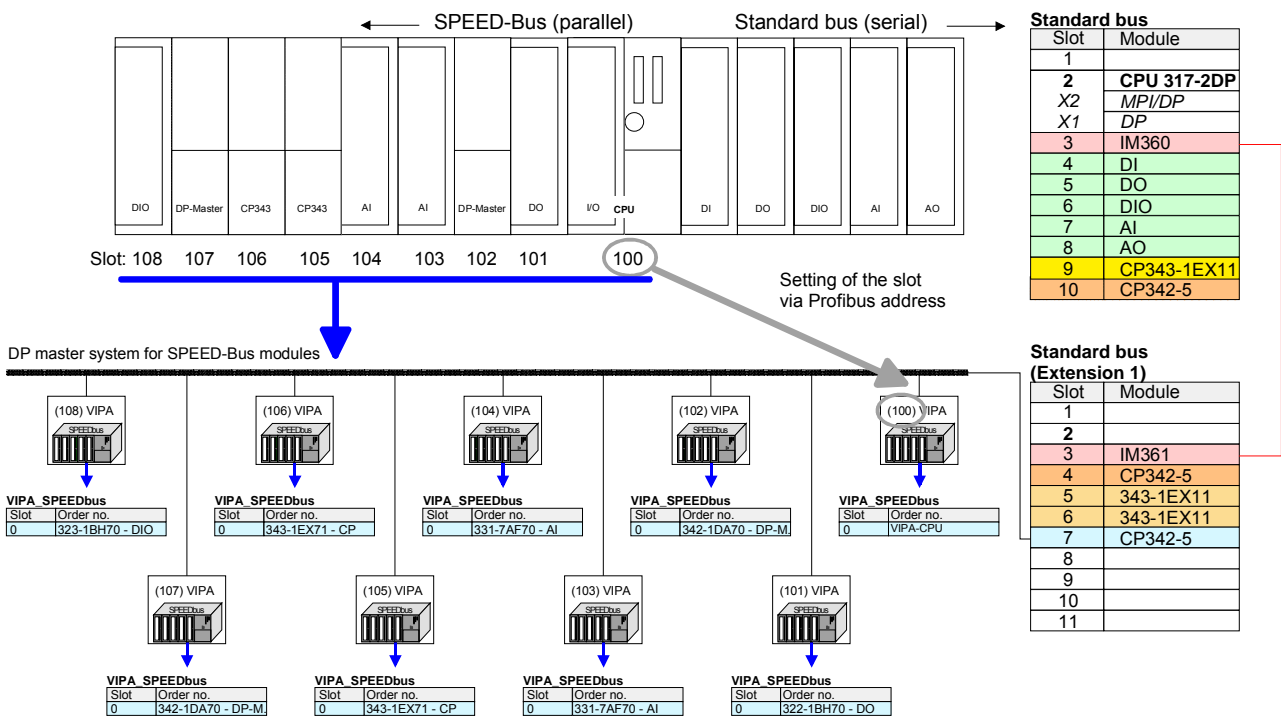
The slot assignment for the CPU with I/O part and the SPEED-Bus modules happens via a virtual PROFIBUS DP master system. For this, place always as last module a DP master (342-5DA02 V5.0). Connect it to a new PROFIBUS net and switch it to DP master operating mode.

Now include for the CPU and every module at the SPEED-Bus a slave system "VIPA_SPEEDBUS". This may be found in the hardware catalog after installing the SPEEDBUS.GSD at *PROFIBUS DP / Additional field devices / I/O / VIPA_SPEEDbus*.

So that a "VIPA_SPEEDBUS" slave system may be assigned to the corresponding module at the SPEED-Bus the according slot number is to be preset by means of the PROFIBUS address.

The slot numbers start with 100 for the CPU and continue with 101...110 for the SPEED-Bus modules.

Each "VIPA_SPEEDBUS" slave system has one slot (slot 0). Here place the module of the hardware catalog of "VIPA_SPEEDBUS" according to the module at this slot preset by the PROFIBUS address.



The according module is to be taken from the hardware catalog to slot 0 of VIPA_SPEEDBUS.



Note!

Let with the CPs or DP master (also virtual SPEED-Bus master) at *options* the attitude "Save configuration data on the CPU" activated!

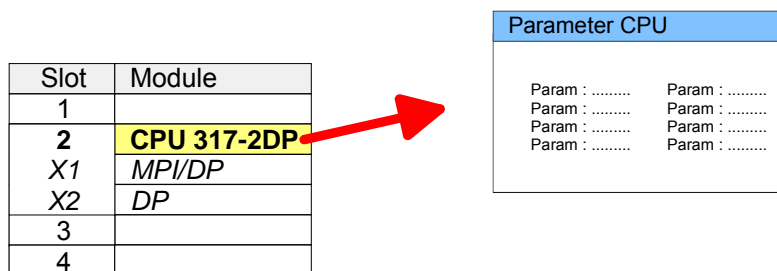
Setting standard CPU parameters

Parameterization via Siemens CPU 317-2AJ10

Since the CPU from VIPA is to be configured as Siemens CPU 317-2 (CPU 317-2AJ10 V2.6) in the Siemens hardware configurator, the standard parameters of the VIPA CPU may be set with "Object properties" of the CPU 317-2 during hardware configuration.

Via a double-click on the CPU 317-2 the parameter window of the CPU may be accessed.

Using the registers you get access to every standard parameter of the CPU.



Supported parameters

The CPU does not evaluate each parameter, which may be set at the hardware configuration.

The following parameters are supported by the CPU at this time:

General

Short description

The short description of the Siemens CPU 317-2AJ10 is CPU 317-2DP.

Order No. / Firmware

Order number and firmware are identical to the details in the "hardware catalog" window.

Name

The *Name* field provides the *short description* of the CPU. If you change the name the new name appears in the Siemens SIMATIC manager.

Plant designation

Here is the possibility to specify a plant designation for the CPU. This plant designation identifies parts of the plant according to their function. This has a hierarchical structure and conforms to IEC 1346-1.

Comment

In this field information about the module may be entered.

Startup

Startup when expected/actual configuration differs

If the checkbox for "Startup when expected/actual configuration differ" is *deselected* and at least one module is not located at its configured slot or if another type of module is inserted there instead, then the CPU does not switch to RUN mode and remains in STOP mode.

If the checkbox for "Startup when expected/actual configuration differ" is *selected*, then the CPU starts even if there are modules not located in their configured slots or if another type of module is inserted there instead, such as during an initial system start-up.

Monitoring time for ready message by modules [100ms]

This operation specifies the maximum time for the ready message of every configured module after PowerON. Here connected PROFIBUS DP slaves are also considered until they are parameterized. If the modules do not send a ready message to the CPU by the time the monitoring time has expired, the actual configuration becomes unequal to the preset configuration.

Monitoring time for transfer of parameters to modules [100ms]

The maximum time for the transfer of parameters to parameterizable modules. If not every module has been assigned parameters by the time this monitoring time has expired; the actual configuration becomes unequal to the preset configuration.

Cycle/Clock memory

Update OB1 process image cyclically

This parameter is not relevant.

Scan cycle monitoring time

Here the scan cycle monitoring time in milliseconds may be set. If the scan cycle time exceeds the scan cycle monitoring time, the CPU enters the STOP mode. Possible reasons for exceeding the time are:

- Communication processes
- a series of interrupt events
- an error in the CPU program

Minimum scan cycle time

This parameter is not relevant.

Scan cycle load from Communication

Using this parameter you can control the duration of communication processes, which always extend the scan cycle time so it does not exceed a specified length.

If the cycle load from communication is set to 50%, the scan cycle time of OB 1 can be doubled. At the same time, the scan cycle time of OB 1 is still being influenced by asynchronous events (e.g. hardware interrupts) as well.

Size of the process image input/output area

Here the size of the process image max. 2048 for the input/output periphery may be fixed.

OB85 call up at I/O access error The preset reaction of the CPU may be changed to an I/O access error that occurs during the update of the process image by the system. The VIPA CPU is preset such that OB 85 is not called if an I/O access error occurs and no entry is made in the diagnostic buffer either.

Clock memory Activate the check box if you want to use clock memory and enter the number of the memory byte.



Note!

The selected memory byte cannot be used for temporary data storage.

Retentive Memory

Number of Memory Bytes from MB0 Enter the number of retentive memory bytes from memory byte 0 onwards.

Number of S7 Timers from T0 Enter the number of retentive *S7 timers* from T0 onwards. Each *S7 timer* occupies 2bytes.

Number of S7 Counters from C0 Enter the number of retentive *S7 counter* from C0 onwards.

Areas These parameters are not relevant.

Interrupts

Priority Here the priorities are displayed, according to which the hardware interrupt OBs are processed (hardware interrupt, time-delay interrupt, async. error interrupts).

Time-of-day interrupts

Priority	Here the priorities may be specified according to which the time-of-day interrupt is processed. With priority "0" the corresponding OB is deactivated.
Active	Activate the check box of the time-of-day interrupt OBs if these are to be automatically started on complete restart.
Execution	Select how often the interrupts are to be triggered. Intervals ranging from every minute to yearly are available. The intervals apply to the settings made for <i>start date</i> and <i>time</i> .
Start date / time	Enter date and time of the first execution of the time-of-day interrupt.
Process image partition	This parameter is not supported.

Cyclic interrupts

Priority	Here the priorities may be specified according to which the corresponding cyclic interrupt is processed. With priority "0" the corresponding interrupt is deactivated.
Execution	Enter the time intervals in ms, in which the watchdog interrupt OBs should be processed. The start time for the clock is when the operating mode switch is moved from STOP to RUN.
Phase offset	Enter the delay time in ms for current execution for the watch dog interrupt. This should be performed if several watchdog interrupts are enabled. Phase offset allows to distribute processing time for watchdog interrupts across the cycle.
Process image partition	This parameter is not supported.

Diagnostics/Clock

Report cause of STOP	Activate this parameter, if the CPU should report the cause of STOP to PG respectively OP on transition to STOP.
Number of messages in the diagnostics buffer	Here the number of diagnostics are displayed, which may be stored in the diagnostics buffer (circular buffer).
Synchronization type	You can specify whether the CPU clock should be used to synchronize other clocks or not. - as slave: The clock is synchronized by another clock. - as master: The clock synchronizes other clocks as master. - none: There is no synchronization
Time interval	Time intervals within which the synchronization is to be carried out.
Correction factor	Lose or gain in the clock time may be compensated within a 24 hour period by means of the correction factor in ms. If the clock is 1s slow after 24 hours, you have to specify a correction factor of "+1000" ms.

Protection

Level of protection	Here 1 of 3 protection levels may be set to protect the CPU from unauthorized access. <i>Protection level 1 (default setting):</i> <ul style="list-style-type: none">• No password adjustable, no restrictions <i>Protection level 2 with password:</i> <ul style="list-style-type: none">• Authorized users: read and write access• Unauthorized user: read access only <i>Protection level 3:</i> <ul style="list-style-type: none">• Authorized users: read and write access• Unauthorized user: no read and write access
---------------------	---

Parameter for DP The properties dialog of the PROFIBUS part is opened via a double click to the sub module DP.

General

Short description	Here the short description "DP" for PROFIBUS DP is specified.
Order no.	Nothing is shown here.
Name	Here "DP" is shown. If you change the name, the new name appears in the Siemens SIMATIC manager.
Interface	The PROFIBUS address is shown here.
Properties	With this button the properties of the PROFIBUS DP interface may be preset.
Comment	You can enter the purpose of the DP master in this box.

Addresses

Diagnostics	A diagnostics address for PROFIBUS DP is to be preset here. In the case of an error the CPU is informed via this address.
Operating mode	Here the operating mode of the PROFIBUS part may be preset. More may be found at chapter "Deployment PROFIBUS Communication".
Configuration	Within the operating mode "DP-Slave" you may configure your slave system. More may be found at chapter "Deployment PROFIBUS communication".
Clock	These parameters are not supported.

Parameter for MPI/DP The properties dialog of the MPI interface is opened via a double click to the sub module MPI/DP.

General

Short description Here the short description "MPI/DP" for the MPI interface is specified.

Order no. Nothing is shown here.

Name At *Name* "MPI/DP" for the MPI interface is shown. If you change the name, the new name appears in the Siemens SIMATIC manager.

Type Please regard only the type "MPI" is supported by the VIPA CPU.

Interface Here the MPI address is shown.

Properties With this button the properties of the MPI interface may be preset.

Comment You can enter the purpose of the MPI interface in this box.

Addresses

Diagnostics A diagnostics address for the MPI interface is to be preset here. In the case of an error the CPU is informed via this address.

Operating mode, Configuration, Clock These parameters are not supported.

Setting VIPA specific CPU parameters

Overview

Except of the VIPA specific CPU parameters the CPU parameterization takes place in the parameter dialog of the CPU 317-2AJ10.

With installing of the SPEEDBUS.GSD the VIPA specific parameters may be set during hardware configuration.

Here the following parameters may be accessed:

- Function RS485 (PtP, Synchronization DP master and CPU)
- Token Watch
- Number remanence flag timer, counter
- Priority OB 28, OB 29, OB 33, OB 34
- Execution OB 33, OB 34
- Phase offset OB 33, OB 34

Requirements

Since the VIPA specific CPU parameters may be set, the installation of the SPEEDBUS.GSD from VIPA in the hardware catalog is necessary.

The CPU may be configured in a PROFIBUS master system and the appropriate parameters may be set after installation.

Installation of the SPEEDBUS.GSD

The GSD (**Geräte-Stamm-Datei**) is online available in the following language versions. Further language versions are available on inquires.

Name	Language
SPEEDBUS.GSD	german (default)
SPEEDBUS.GSG	german
SPEEDBUS.GSE	english

The GSD files may be found at www.vipa.com at the "Service" part.

The integration of the SPEEDBUS.GSD takes place with the following proceeding:

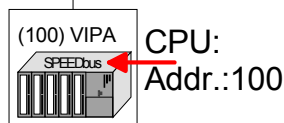
- Browse to www.vipa.com.
- Click to *Service > Download > GSD- and EDS-Files > Profibus*.
- Download the file *Cx000023_Vxxx*.
- Extract the file to your work directory. The SPEEDBUS.GSD is stored in the directory *VIPA_System_300S*.
- Start the hardware configurator from Siemens.
- Close every project.
- Select **Options > Install new GSD-file**.
- Navigate to the directory *VIPA_System_300S* and select **SPEEDBUS.GSD**.

The SPEED7 CPUs and modules of the System 300S from VIPA may now be found in the hardware catalog at *Profibus-DP / Additional field devices / I/O / VIPA_SPEEDBUS*.

Proceeding The embedding of the CPU 314-6CF03 happens by means of a virtual PROFIBUS master system with the following approach:

Slot	Module
1	
2 X...	CPU ...
3	
...	
always as last module 342-5DA02 V5.0	

virtual DP master for CPU



VIPA SPEEDbus	
Slot	Order No.
0	314-6CF03 ...

Object properties

- Perform a hardware configuration for the CPU (see "Hardware configuration - CPU").
- Configure always as last module a Siemens DP master CP 342-5 (342-5DA02 V5.0). Connect and parameterize it at operation mode "DP-Master".
- Connect the slave system "VIPA_SPEEDbus". After installing the SPEEDBUS.GSD this may be found in the hardware catalog at *Profibus-DP / Additional field devices / I/O / VIPA / VIPA_SPEEDBUS*.
- For the slave system set the PROFIBUS address 100.
- Configure at slot 0 the VIPA CPU 314-6CF03 of the hardware catalog from VIPA_SPEEDbus.
- By double clicking the placed CPU 314-6CF03 the properties dialog of the CPU may be opened.

As soon as the project is transferred together with the PLC user program to the CPU, the parameters will be taken after start-up.

VIPA specific parameters

The following parameters may be accessed by means of the properties dialog of the VIPA-CPU.

Function RS485

Per default the RS485 interface is used for the PROFIBUS DP master.

Using this parameter the RS485 interface may be switched to PtP communication (**point to point**) respectively the synchronization between DP master system and CPU may be set:

Deactivated

Deactivates the RS485 interface

PtP

With this operating mode the PROFIBUS DP master is deactivated and the RS485 interface acts as an interface for serial point-to-point communication.

Here data may be exchanged between two stations by means of protocols.

More about this may be found at chapter "Deployment RS485 for PtP communication" in this manual.

PROFIBUS DP async

PROFIBUS DP master operation asynchronous to CPU cycle

The RS485 interface is preset at default to *PROFIBUS DP async*. Here CPU cycle and cycles of every VIPA PROFIBUS DP master run independently.

PROFIBUS DP syncIn

The CPU is waiting for DP master input data.

PROFIBUS DP syncOut

The DP master system is waiting for CPU output data.

PROFIBUS DP syncInOut

CPU and DP master system are waiting on each other and form thereby a cycle.

Default: PROFIBUS DP async

Synchronization between master system and CPU

Normally the cycles of CPU and DP master run independently. The cycle time of the CPU is the time needed for one OB1 cycle and for reading respectively writing the inputs respectively outputs. The cycle time of a DP master depends among others on the number of connected slaves and the baud rate, thus every plugged DP master has its own cycle time.

Due to the asynchronism of CPU and DP master the whole system gets relatively high response times.

The synchronization behavior between every VIPA PROFIBUS DP master and the CPU may be configured by means of a hardware configuration as shown above.

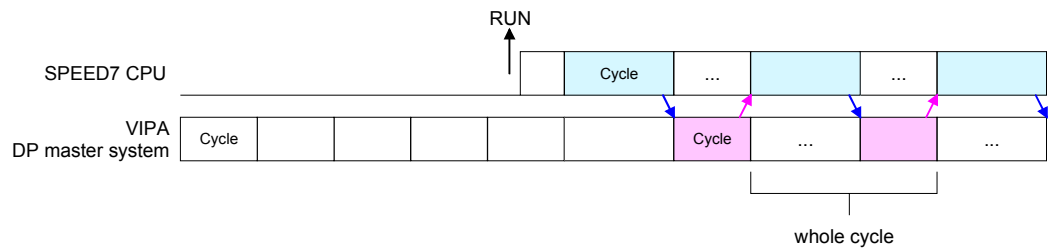
The different modes for the synchronization are in the following described.

PROFIBUS DP
SynclnOut

In *PROFIBUS DP SynclnOut* mode CPU and DP-Master-System are waiting on each other and form thereby a cycle. Here the whole cycle is the sum of the longest DP master cycle and CPU cycle.

By this synchronization mode you receive global consistent in-/ output data, since within the total cycle the same input and output data are handled successively by CPU and DP master system.

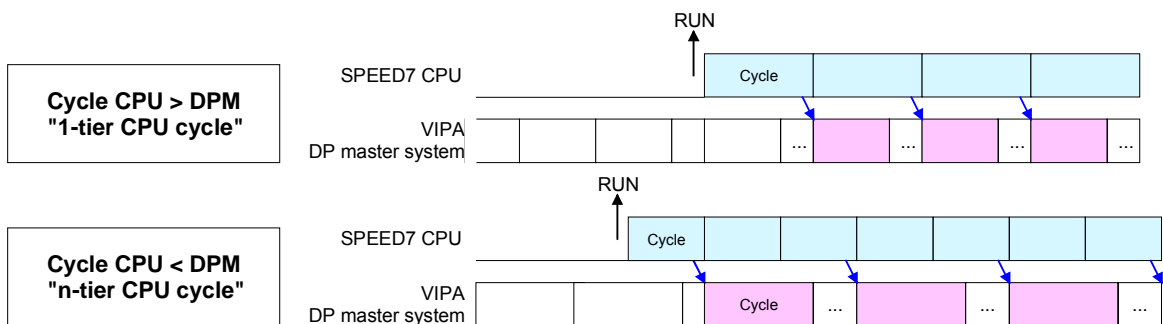
If necessary the time of the *Watchdog* of the bus parameters should be increased at this mode.



PROFIBUS DP
SyncOut

In this operating mode the cycle time of the VIPA DP master system depends on the CPU cycle time. After CPU start-up the DP master gets synchronized.

As soon as their cycle is passed they wait for the next synchronization impulse with output data of the CPU. So the response time of your system can be improved because output data were directly transmitted to the DP master system. If necessary the time of the *Watchdog* of the bus parameters should be increased at this mode.

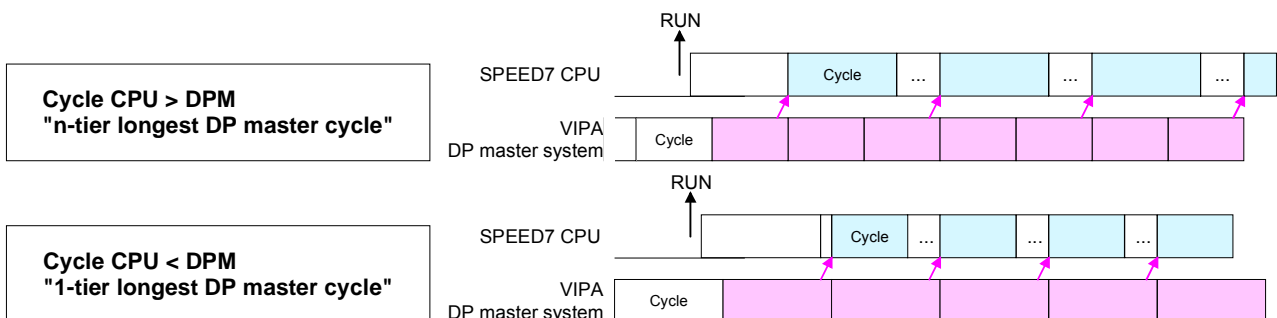


PROFIBUS DP
Syncln

In the operating mode *PROFIBUS DP Syncln* the CPU cycle is synchronized to the cycle of the VIPA PROFIBUS DP master system.

Here the CPU cycle depends on the VIPA DP master with the longest cycle time. If the CPU gets into RUN it is synchronized with each PROFIBUS DP master. As soon as the CPU cycle is passed, it waits for the next synchronization impulse with input data of the DP master system.

If necessary the *Scan Cycle Monitoring Time* of the CPU should be increased.



- Token Watch** By presetting the PROFIBUS bus parameters within the hardware configuration a *token time* for the PROFIBUS results. The *token time* defines the duration until the token reaches the DP master again.
Per default this time is supervised. Due to this monitoring disturbances on the bus can affect a reboot of the DP master. Here with the parameter *Token Watch* the monitoring of the token time can be switched off respectively on.
Default: On
- Number remanence flag** Here the number of flag bytes may be set. With 0 the value *Retentive memory > Number of memory bytes starting with MBO* set at the parameters of the Siemens CPU is used. Otherwise the adjusted value (1 ... 8192) is used.
Default: 0
- Phase offset and execution of OB33 and OB34** The CPU offers additional cyclic interrupts, which interrupt the cyclic processing in certain distances. Point of start of the time interval is the change of operating mode from STOP to RUN.
To avoid that the cyclic interrupts of different cyclic interrupt OBs receive a start request at the same time and so a time out may occur, there is the possibility to set a phase offset respectively a time of execution.
The *phase offset* (0 ... 60000ms) serves for distribution processing times for cyclic interrupts across the cycle.
The time intervals, in which the cyclic interrupt OB should be processed may be entered with *execution* (1 ... 60000ms).
Default: Phase offset: 0
 Execution: OB33: 500ms
 OB34: 200ms
- Priority of OB28, OB29, OB33 and OB34** The priority fixes the order of interrupts of the corresponding interrupt OB. Here the following priorities are supported:
0 (Interrupt-OB is deactivated), 2, 3, 4, 9, 12, 16, 17, 24
Default: 24

Project transfer

Overview

There are the following possibilities for project transfer into the CPU:

- Transfer via MPI/PROFIBUS
- Transfer via Ethernet
- Transfer via MMC

Transfer via MPI/PROFIBUS

For transfer via MPI/PROFIBUS there are the following 2 interfaces:

- X2: MPI interface
- X3: PROFIBUS interface

Net structure

The structure of a MPI net is electrically identical with the structure of a PROFIBUS net. This means the same rules are valid and you use the same components for the build-up. The single participants are connected with each other via bus interface plugs and PROFIBUS cables. Per default the MPI net runs with 187.5kbaud. VIPA CPUs are delivered with MPI address 2.

MPI programming cable

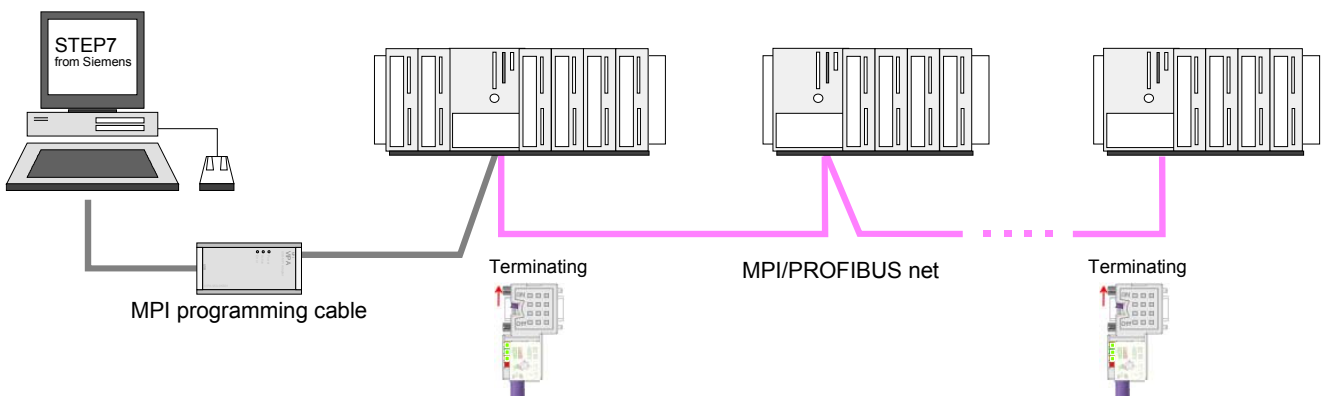
The MPI programming cables are available at VIPA in different variants. The cables provide a RS232 res. USB plug for the PC and a bus enabled RS485 plug for the CPU.

Due to the RS485 connection you may plug the MPI programming cables directly to an already plugged plug on the RS485 jack. Every bus participant identifies itself at the bus with a unique address, in the course of the address 0 is reserved for programming devices.

Terminating resistor

A cable has to be terminated with its surge impedance. For this you switch on the terminating resistor at the first and the last participant of a network or a segment.

Please make sure that the participants with the activated terminating resistors are always power supplied. Otherwise it may cause interferences on the bus.



Approach transfer
via MPI interface

- Connect your PC to the MPI jack of your CPU via a MPI programming cable.
- Load your project in the SIMATIC Manager from Siemens.
- Choose in the menu **Options** > *Set PG/PC interface*
- Select in the according list the "PC Adapter (MPI)"; if appropriate you have to add it first, then click on [Properties].
- Set in the register *MPI* the transfer parameters of your MPI net and type a valid *address*.
- Switch to the register *Local connection*
- Set the COM port of the PC and the transfer rate 38400Baud for the MPI programming cable from VIPA.
- Via **PLC** > *Load to module* you may transfer your project via MPI to the CPU and save it on a MMC via **PLC** > *Copy RAM to ROM* if one is plugged.

Approach transfer
via PROFIBUS
interface

- Connect your PC to the DP-PB/PtP jack of your CPU via a MPI programming cable.
- Load your project in the Siemens SIMATIC Manager.
- Choose in the menu **Options** > *Set PG/PC interface*
- Select in the according list the "PC Adapter (PROFIBUS)"; if appropriate you have to add it first, then click on [Properties].
- Set in the register *PROFIBUS* the transfer parameters of your PROFIBUS net and type a valid *PROFIBUS address*. The *PROFIBUS address* must be assigned to the DP master by a project before.
- Switch to the register *Local connection*
- Set the COM port of the PCs and the transfer rate 38400Baud for the MPI programming cable from VIPA.
- Via **PLC** > *Load to module* you may transfer your project via PROFIBUS to the CPU and save it on a MMC via **PLC** > *Copy RAM to ROM* if one is plugged.

**Note!**

Transfer via PROFIBUS is available by DP master, if projected as master and assigned with a PROFIBUS address before.

Within selecting the slave mode you have additionally to select the option "Test, commissioning, routing".

Transfer via Ethernet

For transfer via Ethernet the CPU has the following interface:

- X5: Ethernet PG/OP channel

Initialization

So that you may access the Ethernet PG/OP channel you have to assign IP address parameters by means of the "initialization"(see "hardware configuration - Ethernet PG/OP channel").

Information about the initialization of the Ethernet PG/OP channel may be found at "Initialization of Ethernet PG/OP channel".

Transfer

- For the transfer, connect, if not already done, the appropriate Ethernet port to your Ethernet.
- Open your project with the Siemens SIMATIC Manager.
- Set via **Options** > *Set PG/PC Interface* the access path to "TCP/IP -> Network card".
- Click to **PLC** > Download → the dialog "Select target module" is opened. Select your target module and enter the IP address parameters of the Ethernet PG/OP channel for connection. Provided that no new hardware configuration is transferred to the CPU, the entered Ethernet connection is permanently stored in the project as transfer channel.
- With [OK] the transfer is started.

**Note!**

System dependent you get a message that the projected system differs from target system. This message may be accepted by [OK].

→ your project is transferred and may be executed in the CPU after transfer.

**Transfer via
MMC**

The MMC (**Memory Card**) serves as external transfer and storage medium. There may be stored several projects and sub-directories on a MMC storage module. Please regard that your current project is stored in the root directory and has one of the following file names:

- *S7PROG.WLD*
- *AUTOLOAD.WLD*

With **File > Memory Card File > New** in the Siemens SIMATIC Manager a new wld file may be created. After the creation copy the blocks from the project blocks folder and the *System data* into the wld file.

**Transfer
MMC → CPU**

The transfer of the application program from the MMC into the CPU takes place depending on the file name after an overall reset or PowerON.

- *S7PROG.WLD* is read from the MMC after overall reset.
- *AUTOLOAD.WLD* is read after PowerON from the MMC.

The blinking of the MCC-LED of the CPU marks the active transfer. Please regard that your user memory serves for enough space, otherwise your user program is not completely loaded and the SF LED gets on.

**Transfer
CPU → MMC**

When the MMC has been installed, the write command stores the content of the battery buffered RAM as *S7PROG.WLD* on the MMC.

The write command is controlled by means of the block area of the Siemens SIMATIC manager **PLC > Copy RAM to ROM**. During the write process the MCC-LED of the CPU is blinking. When the LED expires the write process is finished.

If this project is to be loaded automatically from the MMC with PowerON, you have to rename this on the MMC to *AUTOLOAD.WLD*.

Transfer control

After a MMC access, an ID is written into the diagnostic buffer of the CPU. To monitor the diagnosis entries, you select **PLC > Module Information** in the Siemens SIMATIC Manager. Via the register "Diagnostic Buffer" you reach the diagnosis window.

When accessing a MMC, the following events may occur:

Event-ID	Meaning
0xE100	MMC access error
0xE101	MMC error file system
0xE102	MMC error FAT
0xE104	MMC-error with storing
0xE200	MMC writing finished successful
0xE210	MMC reading finished (reload after overall reset)
0xE21F	Error during reload, read error, out of memory

Access to the internal Web page

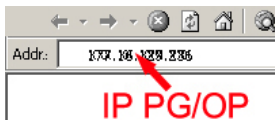
Access to the web page

The Ethernet PG/OP channel provides a web page that you may access via an Internet browser by its IP address. The web page contains information about firmware versions, current cycle times etc. The current content of the web page is stored on MMC by means of the MMC-Cmd WEBPAGE. More information may be found at "MMC-Cmd - Auto commands".

Requirements

A PG/OP channel connection should be established between PC with Internet browser and CPU 314-6CF03. This may be tested by *Ping* to the IP address of the PG/OP channel.

Web page



The access takes place via the IP address of the Ethernet PG/OP channel. The web page only serves for information output. The monitored values are not alterable.

CPU WITH ETHERNET PG/OP

Slot 100

```
VIPA 314-6CF03 V.... Px000164.pkg,
SERIALNUMBER 11343
SUPPORTDATA :
PRODUCT V3420, HARDWARE V0110, 5679G-V10,
HX000026.100, Bx000227 V6420, Ax000086
V1200, Ax000056 V0200, fx000007.wld V1120,
FlashFileSystem:V102
Memoriesizes (Bytes): LoadMem : 524288,
WorkMemCode : 262144, WorkMemData : 262144

OnBoardEthernet : MacAddress : 0020D5772C4F,
IP-Address : , SubnetMask : , Gateway :
Cpu state : Stop
FunctionRS485 X2/COM1: MPI
FunctionRS485 X3/COM2: DPM-async
Cycletime [microseconds] : min=0 cur=0 ave=0
max=0
```

MCC-Trial-Time: 70:23

ArmLoad [percent] : cur11, max=33

Slot 201

```
VIPA 342-1DA70 V3.1.9 Px000062.pkg,
SUPPORTDATA :
PRODUCT V3190, BB000218 V5190, AB000068
V4160, ModuleType CB2C0010, Cycletime
[microseconds] : min=65535000 cur=0 ave=0
max=0 cnt=0
```

Order no., firmware vers., package, serial no.

Information for support

Information about memory configuration, load memory, work memory (code/data)
Ethernet PG/OP: Addresses

CPU status
Operating mode RS485
(MPI: MPI operation, DPM: DP master)
CPU cycle time:
min= minimal
cur= current
max= maximal
Remaining time in hh:mm for deactivation of the expansion memory if MCC is removed.
Information for support

Additional CPU components:
Slot 201 (DP master):
Name, firmware version, package
Information for support

continued ...

... continue

```
Slot 206
HS_DI8_DIO8_AI5_AO2, V2.0.6 Px000025.pkg,
SUPPORTDATA :
BB000156 V2060, AB000073 V2020, AB000074
V2000 PRODUCT V2060, Hx000012 V1000
ModuleType 8400000
Address Input 1024...1071
Address Output 1024...1071
```

Slot 206 (I/Os):
Name, firmware version, package
Information for support

SPEED-BUS

```
Slot 101
VIPA 321-1BH70 V1.0.1 Px000029.pkg
SUPPORTDATA :
BB000189 V1010, AB000076 V1010,
PRODUCT V1010, Hx000013 V1000,
ModuleType 1FC20001
Address Input 128...131
```

Modules at the speed bus
Name, firmware version, package
Information for support

```
Slot 102
VIPA 322-1BH70 V1.0.1 Px000030.pkg
SUPPORTDATA :
BB000190 V1010, AB000077 V1000,
PRODUCT V1010, Hx000014 V1000,
ModuleType AFD00001
Address Input 132...135
```

Name, firmware version, package
Information for support

...

Standard Bus

BaudRate Read Model, BaudRate Write Model

Modules at the standard bus
Information for the support

```
Line 1: ModuleType 94F9:IM36x
Rack 0 /Slot 4
ModuleType:9FC3: Digital Input 32
Baseaddress Input 0
```

IM interface if exists
Rack no. / Slot no.
Type of module
Configured base address
if exists firmware no. and package
Rack no. / slot no.

Rack 0 /Slot 5 ...

...

```
Line 2: ModuleType A4FE:IM36x
Rack 1 /Slot 4
ModuleType:9FC3: Digital Input 32
Baseaddress Input 0
```

IM interface if exists
Type of module
Configured base address
if exists firmware no. and package
Rack no. / slot no.

Rack 1 /Slot 5 ...

Operating modes

Overview

The CPU can be in one of 4 operating modes:

- Operating mode STOP
- Operating mode START-UP
- Operating mode RUN
- Operating mode HOLD

Certain conditions in the operating modes START-UP and RUN require a specific reaction from the system program. In this case the application interface is often provided by a call to an organization block that was included specifically for this event.

Operating mode STOP

- The application program is not processed.
- If there has been a processing before, the values of counters, timers, flags and the process image are retained during the transition to the STOP mode.
- Outputs are inhibited, i.e. all digital outputs are disabled.
- RUN-LED off
- STOP-LED on

Operating mode START-UP

- During the transition from STOP to RUN a call is issued to the start-up organization block OB 100. The processing time for this OB is not monitored. The START-UP OB may issue calls to other blocks.
- All digital outputs are disabled during the START-UP, i.e. outputs are inhibited.
- RUN-LED blinks as soon as the OB 100 is operated and for at least 3s, even if the start-up time is shorter or the CPU gets to STOP due to an error. This indicates the start-up.
- STOP-LED off

When the CPU has completed the START-UP OB, it assumes the operating mode RUN.

Operating mode RUN

- The application program in OB 1 is processed in a cycle. Under the control of alarms other program sections can be included in the cycle.
- All timers and counters being started by the program are active and the process image is updated with every cycle.
- The BASP-signal (outputs inhibited) is deactivated, i.e. all digital outputs are enabled.
- RUN-LED on
- STOP-LED off

**Operating mode
HOLD**

The CPU offers up to 3 breakpoints to be defined for program diagnosis. Setting and deletion of breakpoints happens in your programming environment. As soon as a breakpoint is reached, you may process your program step by step.

Precondition

For the usage of breakpoints, the following preconditions have to be fulfilled:

- Testing in single step mode is possible with STL. If necessary switch the view via **View** > *STL* to STL.
- The block must be opened online and must not be protected.

Approach for
working with
breakpoints

- Activate **View** > *Breakpoint Bar*.
- Set the cursor to the command line where you want to insert a breakpoint.
- Set the breakpoint with **Debug** > *Set Breakpoint*. The according command line is marked with a circle.
- To activate the breakpoint click on **Debug** > *Breakpoints Active*. The circle is changed to a filled circle.
- Bring your CPU into RUN. When the program reaches the breakpoint, your CPU switches to the state HOLD, the breakpoint is marked with an arrow and the register contents are monitored.
- Now you may execute the program code step by step via **Debug** > *Execute Next Statement* or run the program until the next breakpoint via **Debug** > *Resume*.
- Delete (all) breakpoints with the option **Debug** > *Delete All Breakpoints*.

Behavior in
operating state
HOLD

- The RUN-LED blinks and the STOP-LED is on.
- The execution of the code is stopped. No level is further executed.
- All times are frozen.
- The real-time clock runs is just running.
- The outputs were disabled (BASP is activated).
- Configured CP connections remain exist.

**Note!**

The usage of breakpoints is always possible. Switching to the operating mode test operation is not necessary.

With more than 2 breakpoints, a single step execution is not possible.

Function security

The CPUs include security mechanisms like a Watchdog (100ms) and a parameterizable cycle time surveillance (parameterizable min. 1ms) that stop res. execute a RESET at the CPU in case of an error and set it into a defined STOP state.

The VIPA CPUs are developed function secure and have the following system properties:

Event	concerns	Effect
RUN → STOP	general	BASP (B efehls- A usgabe- S perre, i.e. command output lock) is set.
	central digital outputs	The outputs are disabled.
	central analog outputs	The Outputs are disabled. - Voltage outputs issue 0V - Current outputs 0...20mA issue 0mA - Current outputs 4...20mA issue 4mA If configured also substitute values may be issued.
	decentral outputs	Same behavior as the central digital/analog outputs.
STOP → RUN res. PowerON	decentral inputs	The inputs are cyclically be read by the decentralized station and the recent values are put at disposal.
	general	First the PII is deleted, then OB 100 is called. After the execution of the OB, the BASP is reset and the cycle starts with: Delete PIO → Read PII → OB 1.
	decentral inputs	The inputs are once be read by the decentralized station and the recent values are put at disposal.
RUN	general	The program execution happens cyclically and can therefore be foreseen: Read PII → OB 1 → Write PIO.

PII = Process image inputs

PIO = Process image outputs

Overall reset

Overview

During the overall reset the entire user memory (RAM) is erased. Data located in the memory card is not affected.

You have 2 options to initiate an overall reset:

- initiate the overall reset by means of the function selector switch
- initiate the overall reset by means of the Siemens SIMATIC Manager



Note!

You should always issue an overall reset to your CPU before loading an application program into your CPU to ensure that all blocks have been cleared from the CPU.

Overall reset by means of the function selector

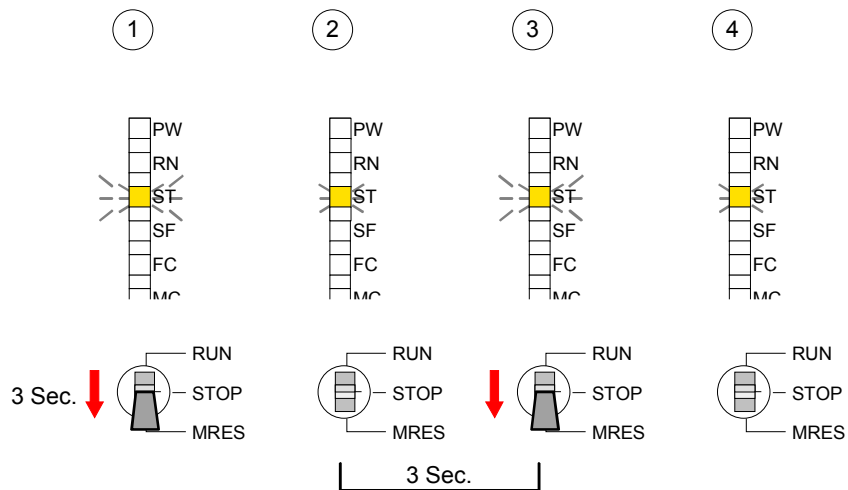
Condition

The operating mode of the CPU is STOP. Place the function selector on the CPU in position "STOP" → the STOP-LED is on.

Overall reset

- Place the function selector in the position MRES and hold it in this position for app. 3 seconds. → The STOP-LED changes from blinking to permanently on.
- Place the function selector in the position STOP and switch it to MRES and quickly back to STOP within a period of less than 3 seconds. → The STOP-LED blinks (overall reset procedure).
- The overall reset has been completed when the STOP-LED is on permanently. → The STOP-LED is on.

The following figure illustrates the above procedure:



- Automatic reload** If there is a project S7PROG.WLD on the MMC, the CPU attempts to reload this project from MMC → the MCC LED is on.
When the reload has been completed the LED expires. The operating mode of the CPU will be STOP or RUN, depending on the position of the function selector.
- Overall reset by means of the Siemens SIMATIC Manager** *Condition*
The operating mode of the CPU must be STOP.
You may place the CPU in STOP mode by the menu command **PLC > Operating mode**.
- Overall reset*
You may request the overall reset by means of the menu command **PLC > Clean/Reset**.
In the dialog window you may place your CPU in STOP mode and start the overall reset if this has not been done as yet.
The STOP-LED blinks during the overall reset procedure.
When the STOP-LED is on permanently the overall reset procedure has been completed.
- Automatic reload** If there is a project S7PROG.WLD on the MMC, the CPU attempts to reload this project from MMC → the MCC LED is on.
When the reload has been completed, the LED expires. The operating mode of the CPU will be STOP or RUN, depending on the position of the function selector.
- Reset to factory setting** A *Factory reset* deletes the internal RAM of the CPU completely and sets it back to the delivery state.
Please regard that the MPI address is also set back to default 2!
More information may be found at the part "Factory reset" further below.

Firmware update

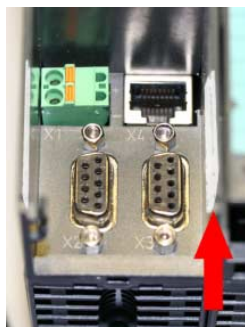
Overview

There is the opportunity to execute a firmware update for SPEED-Bus modules and CPU via MMC.

For this an accordingly prepared MMC must be in the CPU during the startup.

So a firmware files can be recognized and assigned with startup, a pkg file name is reserved for each updateable component an hardware release, which begins with "px" and differs in a number with six digits. The pkg file name of every updateable component may be found at a label right down the front flap of the module.

After PowerON and CPU STOP the CPU checks if there is a *.pkg file on the MMC. If this firmware version is different to the existing firmware version, this is indicated by blinking of the LEDs and the firmware may be installed by an update request.



Firmware package and version

Latest Firmware at www.vipa.com

The latest firmware versions are to be found in the service area at www.vipa.com.

For example the following files are necessary for the firmware update of the CPU 314-6CF03 and its components with hardware release 1:

- 314-6CF03, Hardware release 1: Px000164.pkg
- PROFIBUS DP master: Px000062.pkg
- DI/DO/AIO: Px000025.pkg



Attention!

When installing a new firmware you have to be extremely careful. Under certain circumstances you may destroy the CPU, for example if the voltage supply is interrupted during transfer or if the firmware file is defective.

In this case, please call the VIPA-Hotline!

Please regard that the version of the update firmware has to be different from the existing firmware otherwise no update is executed.

Display the Firmware version of the SPEED7 system via Web Site

Every SPEED7-CPU has an integrated website that monitors information about firmware version of the SPEED7 components. The Ethernet PG/OP channel provides the access to this web site.

To activate the PG/OP channel you have to enter according IP parameters. This can be made in Siemens SIMATIC manager either by a hardware configuration, loaded by MMC respectively MPI or via Ethernet by means of the MAC address with **PLC** > *Assign Ethernet Address*.

After that you may access the PG/OP channel with a web browser via the IP address of the project engineering. More detailed information is to find in the manual of your SPEED7 CPU at "Access to Ethernet PG/OP channel and website".

Load firmware and transfer it to MMC

- Go to www.vipa.com.
- Click on Service > Download > Firmware.
- Navigate via System 300S > CPU to your CPU and download the zip file to your PC.
- Extract the zip file and copy the extracted pkg files to your MMC.

**Attention!**

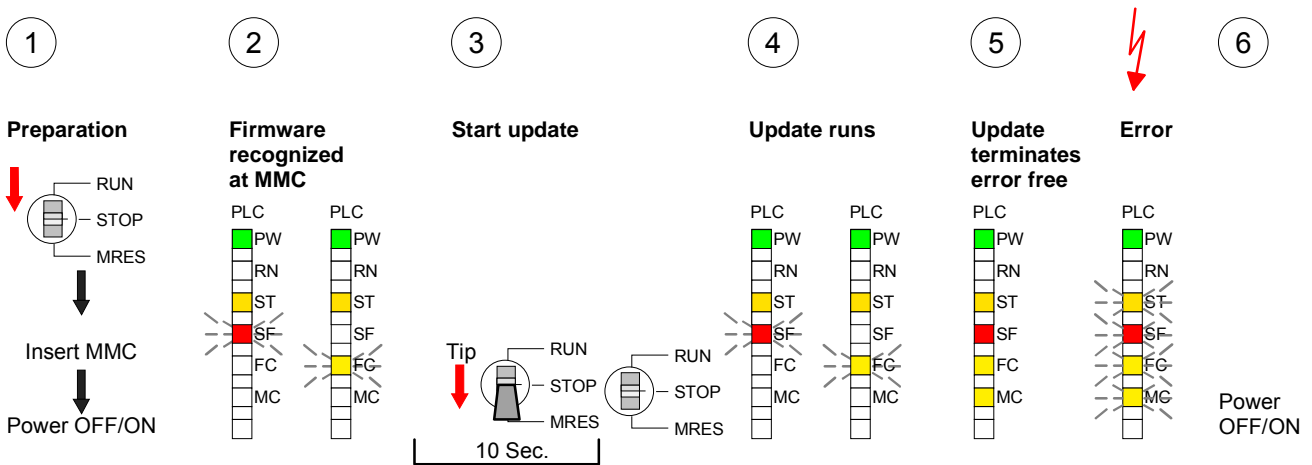
With a firmware update an overall reset is automatically executed. If your program is only available in the load memory of the CPU it is deleted! Save your program before executing a firmware update! After the firmware update you should execute a "Set back to factory settings" (see following page).

Transfer firmware from MMC into CPU

1. Switch the operating mode switch of your CPU in position STOP. Turn off the voltage supply. Plug the MMC with the firmware files into the CPU. Please take care of the correct plug-in direction of the MMC. Turn on the voltage supply.
2. After a short boot-up time, the alternate blinking of the LEDs SF and FC shows that at least a more current firmware file was found on the MMC.
3. You start the transfer of the firmware as soon as you tip the operating mode switch lever downwards to MRES within 10s.
4. During the update process, the LEDs SF and FC are alternately blinking and MCC LED is on. This may last several minutes.
5. The update is successful finished when the LEDs PW, ST, SF, FC and MC are on. If they are blinking fast, an error occurred.
6. Turn Power OFF and ON. Now it is checked by the CPU, whether further current firmware versions are available at the MMC. If so, again the LEDs SF and FC flash after a short start-up period. Continue with point 3.

If the LEDs do not flash, the firmware update is ready.

Now a *factory reset* should be executed (see next page). After that the CPU is ready for duty.



Factory reset

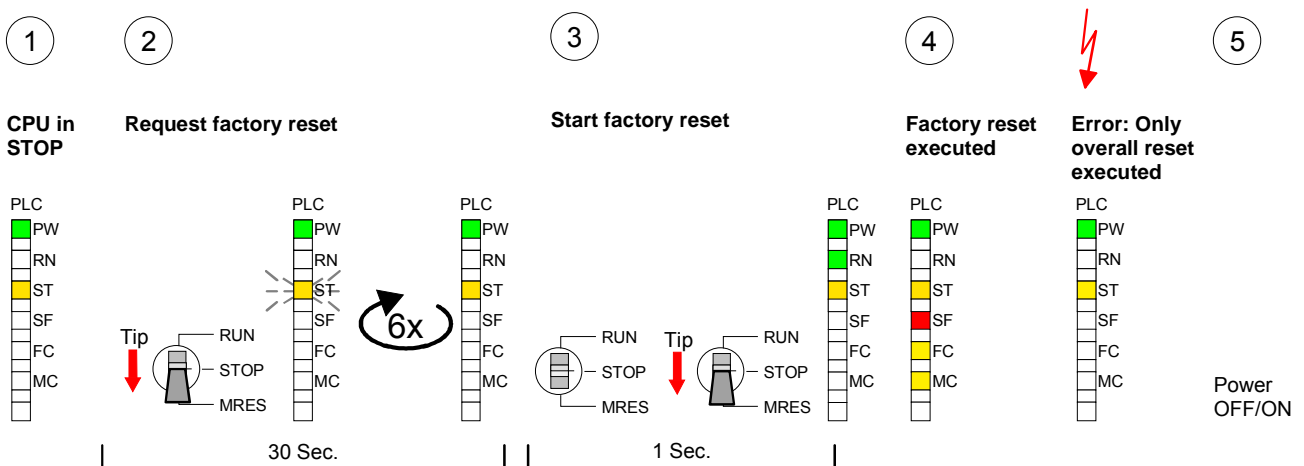
Proceeding

With the following proceeding the internal RAM of the CPU is completely deleted and the CPU is reset to delivery state. Please note that here also the IP address of the Ethernet PG/OP channel is set to 0.0.0.0 and the MPI address is reset to the address 2!

A factory reset may also be executed by the MMC-Cmd `FACTORY_RESET`. More information may be found at "MMC-Cmd - Auto commands".

1. Switch the CPU to STOP.
2. Push the operating mode switch down to position MRES for 30s. Here the STOP-LED flashes. After a few seconds the stop LED changes to static light. Now the STOP LED changes between static light and flashing. Starting here count the static light states.
3. After the 6. static light release the operating mode switch and tip it downwards to MRES. Now the RUN LED lights up once. This means that the RAM was deleted completely.
4. For the confirmation of the resetting procedure the LEDs PW, ST, SF, FC and MC get ON. If not, the factory reset has failed and only an overall reset was executed. In this case you can repeat the procedure. A factory reset can only be executed if the stop LED has static light for exactly 6 times.
5. The end of factory reset is shown by static light of the LEDs PW, ST, SF, FC and MC. Switch the power supply off and on.

The proceeding is shown in the following Illustration:



Note!

After the firmware update you always should execute a *Factory reset*.

Slot for storage media

Overview

At the front of the CPU there is a slot for storage media.

As external storage medium for applications and firmware you may use a multimedia card (MMC) or a VIPA MCC memory extension card. The MCC can additionally be used as an external storage medium.

It has the PC compatible FAT16 file format.

You can cause the CPU to load a project automatically respectively to execute a command file by means of pre-defined file names.

Accessing the storage medium

To the following times an access takes place on a storage medium:

After overall reset

- The CPU checks if there is a project S7PROG.WLD. If exists the project is automatically loaded.
- The CPU checks if there is a project PROTECT.WLD with protected blocks. If exists the project is automatically loaded. These blocks are stored in the CPU until the CPU is reset to factory setting or an empty PROTECT.WLD is loaded.
- The CPU checks if a MCC memory extension card is put. If exists the memory extension is enabled, otherwise a memory expansion, which was activated before, is de-activated.

After PowerON

- The CPU checks if there is a project AUTOLOAD.WLD. If exists an overall reset is established and the project is automatically loaded.
- The CPU checks if there is a command file with VIPA_CMD.MMC. If exists the command file is loaded and the containing instructions are executed.
- After PowerON and CPU STOP the CPU checks if there is a *.pkg file (firmware file). If exists this is indicated by blinking of the LEDs and the firmware may be installed by an update request (see "Firmware update").

Once in STOP

- If a storage medium is put, which contains a command file VIPA_CMD.MMC, the command file is loaded and the containing instructions are executed.

Memory extension with MCC

Overview



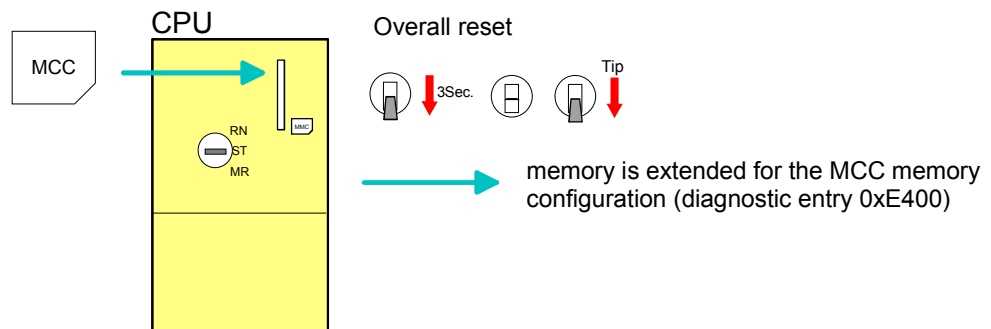
There is the possibility to extend the work memory of the CPU.

For this, a MCC memory extension card is available from VIPA. The MCC is a specially prepared MMC (**M**ultimedia **C**ard). By plugging the MCC into the MCC slot and then an overall reset the according memory expansion is released. There may only one memory expansion be activated at the time.

On the MCC there is the file *memory.key*. This file may not be altered or deleted. You may use the MCC also as "normal" MMC for storing your project.

Approach

To extend the memory, plug the MCC into the card slot at the CPU labeled with "MCC" and execute an overall reset.



If the memory expansion on the MCC exceeds the maximum extendable memory range of the CPU, the maximum possible memory of the CPU is automatically used.

You may determine the recent memory extension via the integrated web page or with the Siemens SIMATIC Manager at *Module Information - "Memory"*.



Attention!

Please regard that the MCC must remain plugged when you've executed the memory expansion at the CPU. Otherwise the CPU switches to STOP after 72 hours. The MCC cannot be exchanged with a MCC of the same memory configuration.

Behavior

When the MCC memory configuration has been taken over you may find the diagnosis entry 0xE400 in the diagnostic buffer of the CPU.

After pulling the MCC the entry 0xE401 appears in the diagnostic buffer, the SF-LED is on and after 72 hours the CPU switches to STOP. A reboot is only possible after plugging-in the MCC again or after an overall reset.

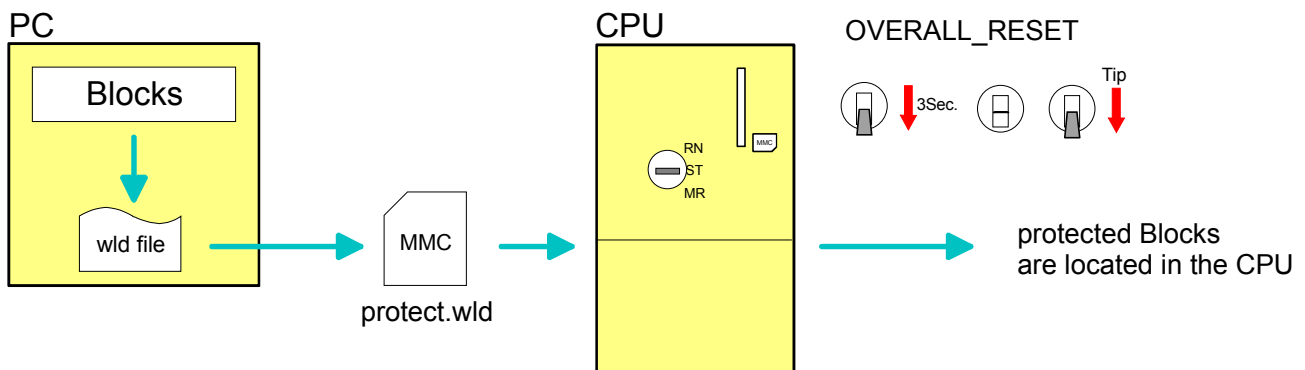
The remaining time after pulling the MCC is always been shown with the parameter *MCC-Trial-Time* on the web page.

After re-plugging the MCC, the SF-LED extinguishes and 0xE400 is entered into the diagnostic buffer.

You may reset the memory configuration of your CPU to the initial status at any time by executing an overall reset without MCC.

Extended know-how protection

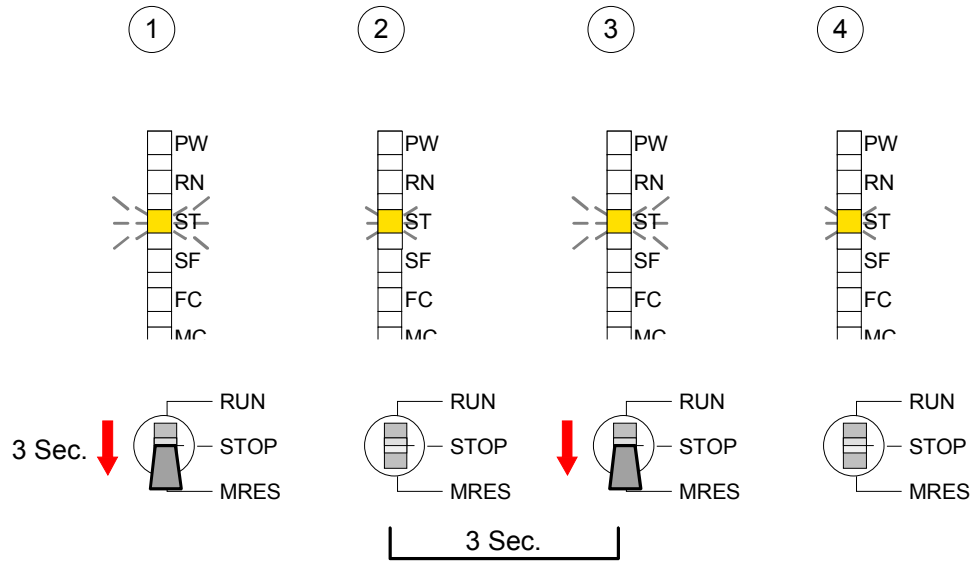
- Overview** Besides the "standard" Know-how protection the SPEED7-CPU from VIPA provide an "extended" know-how protection that serves a secure block protection for accesses of 3. persons.
- Standard protection** The standard protection from Siemens transfers also protected blocks to the PG but their content is not displayed. But with according manipulation the Know-how protection is not guaranteed.
- Extended protection** The "extended" know-how protection developed by VIPA offers the opportunity to store blocks permanently in the CPU. At the "extended" protection you transfer the protected blocks into a WLD-file named protect.wld. By plugging the MMC and following overall reset, the blocks in the protect.wld are permanently stored in the CPU. You may protect OBs, FBs and FCs. When back-reading the protected blocks into the PG, exclusively the block header are loaded. The block code that is to be protected remains in the CPU and cannot be read.



- Protect blocks with protect.wld** Create a new wld-file in your project engineering tool with **File > Memory Card file > New** and rename it to "protect.wld". Transfer the according blocks into the file by dragging them with the mouse from the project to the file window of protect.wld.

Transfer protect.wld to CPU with overall reset

Transfer the file protect.wld to a MMC storage module, plug the MMC into the CPU and execute an overall reset with the following approach:



The overall reset stores the blocks in protect.wld permanently in the CPU protected from accesses of 3. persons.

Protection behavior

Protected blocks are overwritten by a new protect.wld.

Using a PG 3. persons may access protected blocks but only the block header is transferred to the PG. The block code that is to be protected remains in the CPU and cannot be read.

Change respectively delete protected blocks

Protected blocks in the RAM of the CPU may be substituted at any time by blocks with the same name. This change remains up to next overall reset. Protected blocks may permanently be overwritten only if these are deleted at the protect.wld before.

By transferring an empty protect.wld from the MMC you may delete all protected blocks in the CPU.

Usage of protected blocks

Due to the fact that reading of a "protected" block from the CPU monitors no symbol labels it is convenient to provide the "block covers" for the end user.

For this, create a project out of all protected blocks. Delete all networks in the blocks so that these only contain the variable definitions in the according symbolism.

MMC-Cmd - Auto commands

Overview A *command file* at a MMC is automatically executed under the following conditions:

- CPU is in STOP and MMC is stuck
- After each PowerON

Command file The *command file* is a text file, which consists of a command sequence to be stored as ***vipa_cmd.mmc*** in the root directory of the MMC.

The file has to be started by *CMD_START* as 1. command, followed by the desired commands (no other text) and must be finished by *CMD_END* as last command.

Text after the last command *CMD_END* e.g. comments is permissible, because this is ignored. As soon as the command file is recognized and executed each action is stored at the MMC in the log file logfile.txt. In addition for each executed command a diagnostics entry may be found in the diagnostics buffer.

Commands Please regard the command sequence is to be started with *CMD_START* and ended with *CMD_END*.

Command	Description	Diagnostics entry
CMD_START	In the first line <i>CMD_START</i> is to be located.	0xE801
	There is a diagnostic entry if <i>CMD_START</i> is missing	0xE8FE
WAIT1SECOND	Waits ca. 1 second.	0xE803
WEBPAGE	The current web page of the CPU is stored at the MMC as "webpage.htm".	0xE804
LOAD_PROJECT	The function "Overall reset and reload from MMC" is executed. The wld file located after the command is loaded else "s7prog.wld" is loaded.	0xE805
SAVE_PROJECT	The recent project (blocks and hardware configuration) is stored as "s7prog.wld" at the MMC. If the file just exists it is renamed to "s7prog.old". If your CPU is password protected so you have to add this as parameter. Otherwise there is no project written. Example: SAVE_PROJECT password	0xE806
FACTORY_RESET	Executes "factory reset".	0xE807
DIAGBUF	The current diagnostics buffer of the CPU is stored as "diagbuff.txt" at the MMC.	0xE80B
SET_NETWORK	IP parameters for Ethernet PG/OP channel may be set by means of this command. The IP parameters are to be given in the order IP address, subnet mask and gateway in the format x.x.x.x each separated by a comma. Enter the IP address if there is no gateway used.	0xE80E
CMD_END	In the last line <i>CMD_END</i> is to be located.	0xE802

Examples The structure of a command file is shown in the following. The corresponding diagnostics entry is put in parentheses.

Example 1

CMD_START	Marks the start of the command sequence (0xE801)
LOAD_PROJECT proj.wld	Execute an overall reset and load "proj.wld" (0xE805)
WAIT1SECOND	Wait ca. 1s (0xE803)
WEBPAGE	Store web page as "webpage.htm" (0xE804)
DIAGBUF	Store diagnostics buffer of the CPU as "diagbuff.txt" (0xE80B)
CMD_END	Marks the end of the command sequence (0xE802)
... arbitrary text ...	Text after the command CMD_END is not evaluated.

Example 2

CMD_START	Marks the start of the command sequence (0xE801)
LOAD_PROJECT proj2.wld	Execute an overall reset and load "proj2.wld" (0xE805)
WAIT1SECOND	Wait ca. 1s (0xE803)
WAIT1SECOND	Wait ca. 1s (0xE803)
SET_NETWORK 172.16.129.210,255.255.224.0,172.16.129.210	IP parameter (0xE80E)
WAIT1SECOND	Wait ca. 1s (0xE803)
WAIT1SECOND	Wait ca. 1s (0xE803)
WEBPAGE	Store web page as "webpage.htm" (0xE804)
DIAGBUF	Store diagnostics buffer of the CPU as "diagbuff.txt" (0xE80B)
CMD_END	Marks the end of the command sequence (0xE802)
... arbitrary text ...	Text after the command CMD_END is not evaluated.



Note!

The parameters IP address, subnet mask and gateway may be received from the system administrator.

Enter the IP address if there is no gateway used.

VIPA specific diagnostic entries

Entries in the diagnostic buffer

You may read the diagnostic buffer of the CPU via the Siemens SIMATIC Manager. Besides of the standard entries in the diagnostic buffer, the VIPA CPUs support some additional specific entries in form of event-IDs.

The current content of the diagnostics buffer is stored on MMC by means of the MMC-Command DIAGBUF. More information may be found at "MMC-Command - Auto commands".



Note!

Every register of the module information is supported by the VIPA CPUs. More information may be found at the online help of the Siemens SIMATIC manager.

Monitoring the diagnostic entries

To monitor the diagnostic entries you choose the option **PLC > Module Information** in the Siemens SIMATIC Manager. Via the register "Diagnostic Buffer" you reach the diagnostic window:

The diagnosis is independent from the operating mode of the CPU. You may store a max. of 100 diagnostic entries in the CPU.

The following page shows an overview of the VIPA specific Event-IDs.

Overview of the Event-IDs

Event-ID	Description
0xE003	Error at access to I/O devices Zinfo1: I/O address Zinfo2: Slot
0xE004	Multiple parameterization of a I/O address Zinfo1: I/O address Zinfo2: Slot
0xE005	Internal error - Please contact the VIPA-Hotline!
0xE006	Internal error - Please contact the VIPA-Hotline!
0xE007	Configured in-/output bytes do not fit into I/O area
0xE008	Internal error - Please contact the VIPA-Hotline!
0xE009	Error at access to standard back plane bus
0xE010	Not defined module group at backplane bus recognized Zinfo2: Slot Zinfo3: Type ID
0xE011	Master project engineering at Slave-CPU not possible or wrong slave configuration
0xE012	Error at parameterization
0xE013	Error at shift register access to standard bus digital modules
0xE014	Error at Check_Sys
0xE015	Error at access to the master Zinfo2: Slot of the master (32=page frame master)
0xE016	Maximum block size at master transfer exceeded Zinfo1: I/O address Zinfo2: Slot
0xE017	Error at access to integrated slave
0xE018	Error at mapping of the master periphery
0xE019	Error at standard back plane bus system recognition
0xE01A	Error at recognition of the operating mode (8 / 9 Bit)
0xE01B	Error - maximum number of plug-in modules exceeded
0xE020	Error - interrupt information is not defined
0xE030	Error of the standard bus
0xE033	Internal error - Please contact the VIPA-Hotline!
0xE0B0	SPEED7 is not stoppable (probably undefined BCD value at timer)
0xE0C0	Not enough space in work memory for storing code block (block size exceeded)
0xE0CC	Communication error MPI / Serial Zinfo1: Code 1: Wrong Priority 2: Buffer overflow 3: Frame format error 7: Incorrect value 8: Incorrect RetVal 9: Incorrect SAP 10: Incorrect connection type 11: Incorrect sequence number 12: Faulty block number in the telegram 13: Faulty block type in the telegram 14: Inactive function 15: Incorrect size in the telegram 20: Error writing to MMC 90: Incorrect Buffer size 98: Unknown error 99: Internal error

Event-ID	Description
0xE0CD	Error at DPV1 job management
0xE0CE	Error: Timeout at sending of the i-slave diagnostics
0xE100	MMC access error
0xE101	MMC error file system
0xE102	MMC error FAT
0xE104	MMC error at saving
0xE200	MMC writing finished (Copy Ram2Rom)
0xE210	MMC reading finished (reload after overall reset)
0xE21F	MMC reading: error at reload (after overall reset), read error, out of memory
0xE300	Internal flash writing finished (Copy Ram2Rom)
0xE310	Internal flash writing finished (reload after battery failure)
0xE400	Memory expansion MCC has been plugged
0xE401	Memory expansion MCC has been removed
0xE801	MMC-Cmd: CMD_START recognized and successfully executed
0xE802	MMC-Cmd: CMD_END recognized and successfully executed
0xE803	MMC-Cmd: WAIT1SECOND recognized and successfully executed
0xE804	MMC-Cmd: WEBPAGE recognized and successfully executed
0xE805	MMC-Cmd: LOAD_PROJECT recognized and successfully executed
0xE806	MMC-Cmd: SAVE_PROJECT recognized and successfully executed
0xE807	MMC-Cmd: FACTORY_RESET recognized and successfully executed
0xE80B	MMC-Cmd: DIAGBUF recognized and successfully executed
0xE80E	MMC-Cmd: SET_NETWORK recognized and successfully executed
0xE8FB	MMC-Cmd: Error: Initialization error of the Ethernet-PG/OP channel by means of SET_NETWORK.
0xE8FC	MMC-Cmd: Error: Some IP parameters are missing in SET_NETWORK.
0xE8FE	MMC-Cmd: Error: CMD_START is missing
0xE8FF	MMC-Cmd: Error: Error while reading CMD file (MMC error)
0xE901	Check sum error
0xEA00	Internal error - Please contact the VIPA-Hotline!
0xEA01	Internal error - Please contact the VIPA-Hotline!
0xEA02	SBUS: Internal error (internal plugged sub module not recognized) Zinfo1: Internal slot
0xEA03	SBUS: Communication error CPU - PROFINET-IO-Controller Zinfo1: Slot Zinfo2: Status (0: OK, 1: ERROR, 2: BUSSY, 3: TIMEOUT, 4: LOCKED, 5: UNKNOWN)
0xEA04	SBUS: Multiple parameterization of a I/O address Zinfo1: I/O address Zinfo2: Slot Zinfo3: Data width
0xEA05	Internal error - Please contact the VIPA-Hotline!
0xEA07	Internal error - Please contact the VIPA-Hotline!
0xEA08	SBUS: Parameterized input data width unequal to plugged input data width Zinfo1: Parameterized input data width Zinfo2: Slot Zinfo3: Input data width of the plugged module

Event-ID	Description
0xEA09	SBUS: Parameterized output data width unequal to plugged output data width Zinfo1: Parameterized output data width Zinfo2: Slot Zinfo3: Output data width of the plugged module
0xEA10	SBUS: Input address outside input area Zinfo1: I/O address Zinfo2: Slot Zinfo3: Data width
0xEA11	SBUS: Output address outside output area Zinfo1: I/O address Zinfo2: Slot Zinfo3: Data width
0xEA12	SBUS: Error at writing record set Zinfo1: Slot Zinfo2: Record set number Zinfo3: Record set length
0xEA14	SBUS: Multiple parameterization of a I/O address (Diagnostic address) Zinfo1: I/O address Zinfo2: Slot Zinfo3: Data width
0xEA15	Internal error - Please contact the VIPA-Hotline!
0xEA18	SBUS: Error at mapping of the master I/O devices Zinfo2: Master slot
0xEA19	Internal error - Please contact the VIPA-Hotline!
0xEA20	Error - RS485 interface is not set to PROFIBUS DP master but there is a PROFIBUS DP master configured.
0xEA21	Error - Project engineering RS485 interface X2/X3: PROFIBUS DP master is configured but missing Zinfo2: Interface x
0xEA22	Error - RS485 interface X2 - value is out of range Zinfo: Configured value X2
0xEA23	Error - RS485 interface X3 - value is out of range Zinfo: Configured value X3
0xEA24	Error - Project engineering RS485 interface X2/X3: Interface/Protocol is missing, the default settings are used. Zinfo2: Configured value X2 Zinfo3: Configured value X3
0xEA30	Internal error - Please contact the VIPA-Hotline!
0xEA40	Internal error - Please contact the VIPA-Hotline!
0xEA41	Internal error - Please contact the VIPA-Hotline!
0xEA50	Error - PROFINET configuration Zinfo1: User slot of the PROFINET IO controller Zinfo2: IO device number Zinfo3: IO device slot
0xEA51	Error - there is no PROFINET IO controller at the configured slot Zinfo1: User slot of the PROFINET IO controller Zinfo2: Recognized ID at the configured slot
0xEA54	Error - PROFINET IO controller reports multiple configuration at one peripheral addr. Zinfo1: Peripheral address Zinfo2: User slot of the PROFINET IO controller Zinfo3: Data width

Event-ID	Description
0xEA64	PROFINET configuration error: Zinfo1: error word Bit 0: too many IO devices Bit 1: too many IO devices per ms Bit 2: too many input bytes per ms Bit 3: too many output bytes per ms Bit 4: too many input bytes per device Bit 5: too many output bytes per device Bit 6: too many productive connections Bit 7: too many input bytes in the process image Bit 8: too many output bytes in the process image Bit 9: Configuration not available Bit 10: Configuration not valid
0xEA65	Communication error CPU - PROFINET-IO-Controller Pk : CPU or PROFINET-IO-Controller Zinfo1: Service ID, with which the error arose Zinfo2: Command, with which the error arose
0xEA66	Internal error - Please contact the VIPA-Hotline!
0xEA67	Error - PROFINET-IO-Controller - reading record set Pk: Error type 0: DATA_RECORD_ERROR_LOCAL 1: DATA_RECORD_ERROR_STACK 2: DATA_RECORD_ERROR_REMOTE OBNr: PROFINET-IO-Controller slot DatId: Device no. Zinfo1: Record set number Zinfo2: Record set handle Zinfo3: Internal error code for service purposes
0xEA68	Error - PROFINET-IO-Controller - writing record set Pk: Error type 0: DATA_RECORD_ERROR_LOCAL 1: DATA_RECORD_ERROR_STACK 2: DATA_RECORD_ERROR_REMOTE OBNr: PROFINET-IO-Controller slot DatId: Device no. Zinfo1: Record set number Zinfo2: Record set handle Zinfo3: Internal error code for service purposes
0xEA97	Storage error SBUS service channel Zinfo3 = Slot
0xEA98	Timeout at waiting for reboot of a SBUS module (Server)
0xEA99	Error at file reading via SBUS
0xEE00	Additional information at UNDEF_OPCODE
0xEEEE	CPU was completely overall reset, since after PowerON the start-up could not be finished.
0xEFFF	Internal error - Please contact the VIPA-Hotline!

Using test functions for control and monitoring of variables

Overview

For troubleshooting purposes and to display the status of certain variables you can access certain test functions via the menu item **Debug** of the Siemens SIMATIC Manager.

The status of the operands and the VKE can be displayed by means of the test function **Debug** > *Monitor*.

You can modify and/or display the status of variables by means of the test function **PLC** > *Monitor/Modify Variables*.

Debug > *Monitor*

This test function displays the current status and the VKE of the different operands while the program is being executed.

It is also possible to enter corrections to the program.



Note!

When using the test function "Monitor" the PLC must be in RUN mode!

The processing of the states may be interrupted by means of jump commands or by timer and process-related alarms. At the breakpoint the CPU stops collecting data for the status display and instead of the required data it only provides the PG with data containing the value 0.

For this reason, jumps or time and process alarms can result in the value displayed during program execution remaining at 0 for the items below:

- the result of the logical operation VKE
- Status / AKKU 1
- AKKU 2
- Condition byte
- absolute memory address SAZ. In this case SAZ is followed by a "?".

The interruption of the processing of statuses does not change the execution of the program. It only shows that the data displayed is no longer.

PLC >
Monitor/Modify
Variables

This test function returns the condition of a selected operand (inputs, outputs, flags, data word, counters or timers) at the end of program-execution.

This information is obtained from the process image of the selected operands. During the "processing check" or in operating mode STOP the periphery is read directly from the inputs. Otherwise only the process image of the selected operands is displayed.

Control of outputs

It is possible to check the wiring and proper operation of output-modules.

You can set outputs to any desired status with or without a control program. The process image is not modified but outputs are no longer inhibited.

Control of variables

The following variables may be modified:

I, Q, M, T, C and D.

The process image of binary and digital operands is modified independently of the operating mode of the CPU.

When the operating mode is RUN the program is executed with the modified process variable. When the program continues they may, however, be modified again without notification.

Process variables are controlled asynchronously to the execution sequence of the program.

Chapter 5 Deployment I/O periphery

Overview

This chapter contains all information necessary for the employment of the in-/output periphery of the CPU 314-6CF03. It describes functionality, project engineering and diagnostic of the analog and digital part.

Content

Topic	Page
Chapter 5 Deployment I/O periphery	5-1
Overview	5-2
In-/Output range CPU 314-6CF03.....	5-3
Analog part.....	5-6
Analog Part - Parameterization	5-10
Analog part - Diagnostic functions.....	5-14
Digital part.....	5-17
Counter - Fast introduction	5-19
Counter - Parameterization	5-22
Counter - Functions.....	5-27
Counter - Additional functions	5-33
Counter - Diagnostic and interrupt.....	5-40

Overview

General

At the CPU 314-6CF03 the analog and digital in-/output channels are together in a 2tier casing.

The following components are integrated:

- Analog input: 4xU/Ix12Bit, 1xPt100
- Analog output: 2xU/Ix12Bit
- Digital input: 16(8)xDC24V with parameterizable counter function
- Digital output: 0(8)xDC24V 1A
- Counter: max. 4 counter with the operating mode endless, single or periodic count

Project engineering

If there is no hardware configuration available, the in- and output areas starting with address 1024 are mapped to the address range of the CPU. In the following these areas are more described.

Otherwise the project engineering takes place after installing the SPEEDBUS.GSD in the Siemens SIMATIC manager. More about this may be found at the chapter "Deployment CPU 314-6CF03" at "Project engineering".

Counter

The counters used here are endless counter, where the control happens via the digital input channels. For the counter you may configure interrupts via hardware configuration that may influence the corresponding digital output channel.

SPEED-Bus

The SPEED-Bus is a 32bit parallel bus developed by VIPA with a max. data rate of 40Mbyte/s. Via the SPEED-Bus you have the opportunity to connect up to 10 SPEED-Bus modules to your CPU.

In opposite to the "standard" backplane bus where the modules are plugged at the right side of the CPU via single bus connectors, the SPEED-Bus manages the connection via a special SPEED-Bus rail at the left side of the CPU.

You can order profile rails at VIPA with integrated SPEED-Bus for 2, 6 or 10 SPEED-Bus periphery modules in different lengths.

Ordering Data

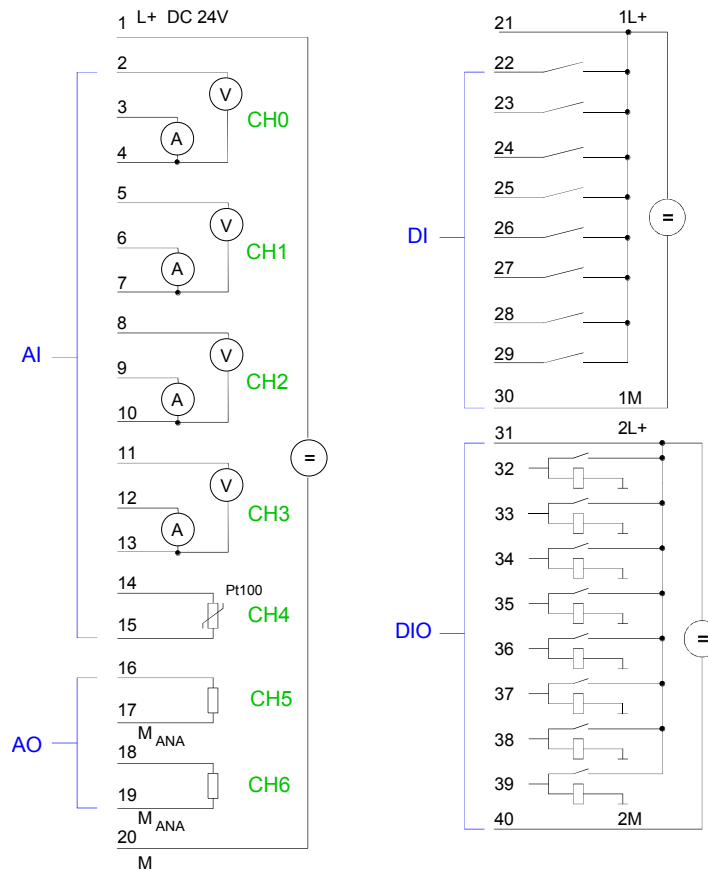
Type	Order number	Description
314ST/DPM	VIPA 314-6CF03	MPI interface, MMC slot, real time clock, Ethernet Interface for PG/OP, PROFIBUS DP master, SPEED-Bus, DI 8...16xDC24V / DO 8...0xDC24V, 0.5A, AI 4x12Bit / AO 2x12Bit / AI 1xPt100, 4 counter

In-/Output range CPU 314-6CF03

Overview CPU 314-6CF03

The CPU 314-6CF03 has the following analog and digital in- and output ranges integrated in one casing:

- Analog Input: 4x12Bit, 1xPt100
- Analog Output: 2x12Bit
- Digital Input: 8xDC 24V, interrupt capable, 4 counter
- Digital Output: 8xDC 24V, 0.5A



Attention!

Temporarily not used analog inputs with activated channel must be connected to the concerning ground.

Please take care that the voltage at an output channel always is \leq the supply voltage via L+.

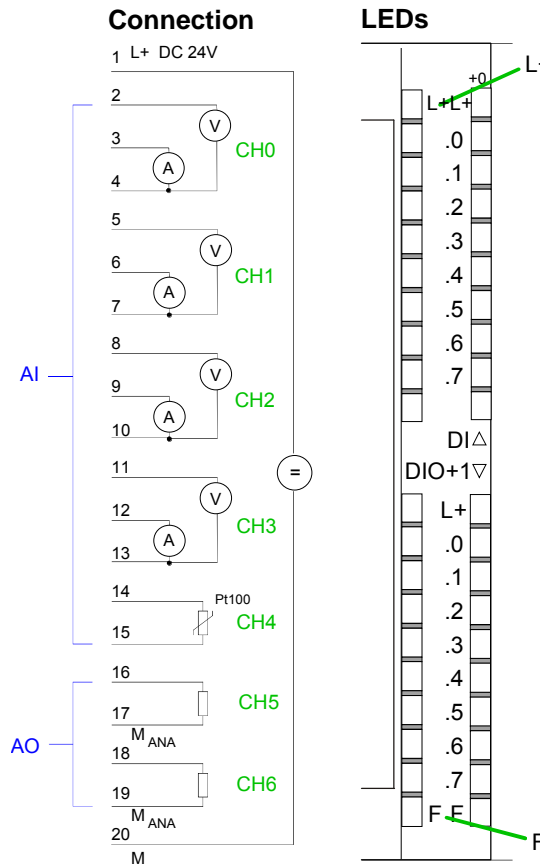
Further you have to regard that due to the parallel connection of in- and output channel per group a set output can be provided via a connected input signal.

A thus set output remains active at connected input signal also the power supply is turned off.

Nonobservance may destroy the module.

CPU 314-6CF03: Analog part pin assignment and status indicator

Pin	Assignment
1	Power supply DC 24V for analog range
2	Voltage meas. channel 0
3	Current meas. channel 0
4	Ground channel 0
5	Voltage meas. channel 1
6	Current meas. channel 1
7	Ground channel 1
8	Voltage meas. channel 2
9	Current meas. channel 2
10	Ground channel 2
11	Voltage meas. channel 3
12	Current meas. channel 3
13	Ground channel 3
14	Pt 100 channel 4
15	Pt 100 channel 4
16	Output + channel 5
17	Ground output channel 5
18	Output + channel 6
19	Ground output channel 6
20	Ground power supply for analog range

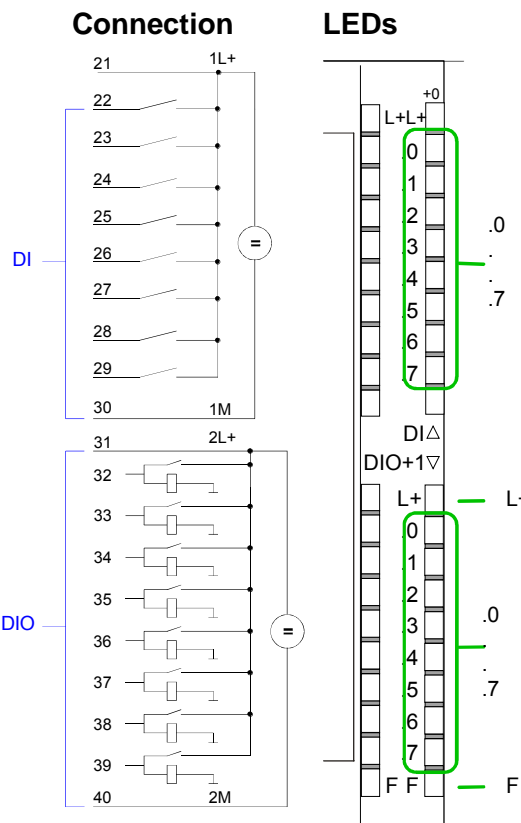


1L+
LED (green)
Supply voltage available

F
LED (red)
Sum error

CPU 314-6CF03: Digital part X12 pin assignment and status indicator

Pin	Assignment
21	Power supply +DC 24V
22	I+0.0 / Counter 0(A)
23	I+0.1 / Counter 0(B)
24	I+0.2 / Gate0/Latch0/Reset0
25	I+0.3 / Counter 1(A)
26	I+0.4 / Counter 1(B)
27	I+0.5 / Gate1/Latch1/Reset1
28	I+0.6 / Counter 2(A)
29	I+0.7 / Counter 2(B)
30	Ground DI
31	Power supply +DC 24V
32	I/Q+1.0 / Gate2/Latch2/Reset2
33	I/Q+1.1 / Counter 3(A)
34	I/Q+1.2 / Counter 3(B)
35	I/Q+1.3 / Gate3/Latch3/Reset3
36	I/Q+1.4 / OUT0/Latch0/Reset0
37	I/Q+1.5 / OUT1/Latch1/Reset1
38	I/Q+1.6 / OUT2/Latch2/Reset2
39	I/Q+1.7 / OUT3/Latch3/Reset3
40	Ground DIO



DI:
.07
LEDs (green)
I+0.0 to I+0.7
(each Byte)
Starting with app. 15V
the signal "1" at the input
is recognized and the
according LED

DIO:
2L+
LED (green)
Supply voltage available for DIO

.07
LEDs (green)
I/Q+1.0 to I/Q+1.7 on at
active output/input

F
LED (red)
Overload or short circuit
error

Address assignment

By including the SPEEDBUS.GSD in your hardware configurator the module is at your disposal in the hardware catalog.

After the installation of the GSD you'll find the CPU 314-6CF03 under *Additional field devices \ I/O \ VIPA_SpeedBus*.

In case there is no hardware configuration available, the in- and output areas starting at address 1024 are shown in the address range of the CPU.

For the data input a range of 48byte and for the data output a range of 24byte is available:

Input range

Address	Access	Assignment
+0	Byte	Digital Input I+0.0 ... I+0.7
+1	Byte	Digital Input I+1.0 ... I+1.7
+2	Word	reserved
+4	Word	Analog Input CH0
+6	Word	Analog Input CH1
+8	Word	Analog Input CH2
+10	Word	Analog Input CH3
+12	Word	Analog Input CH4
+14	Word	reserved
+16	Double word	Counter 0 / Latch 0
+20	Word	reserved
+22	Word	Status Counter 0
+24	Double word	Counter 1 / Latch 1
+28	Word	reserved
+30	Word	Status Counter 1
+32	Double word	Counter 2 / Latch 2
+36	Word	reserved
+38	Word	Status Counter 2
+40	Double word	Counter 3 / Latch 3
+44	Word	reserved
+46	Word	Status Counter 3

Output range

Address	Access	Assignment
+0	Byte	reserved
+1	Byte	Digital Output Q+1.0 ... Q+1.7
+2	Word	reserved
+4	Word	Analog Output CH0
+6	Word	Analog Output CH1
+8	Word	reserved
+10	Word	Status Counter 0
+12	Word	reserved
+14	Word	Status Counter 1
+16	Word	reserved
+18	Word	Status Counter 2
+20	Word	reserved
+22	Word	Status Counter 3

Analog part

Overview

The analog part consists of 4 input, 1 Pt100 and 2 output channels. 10byte input and 4byte output data of the process image are used by the analog part.

The channels of the module are galvanically separated from the SPEED-Bus via DC/DC transducer and opto couplers.



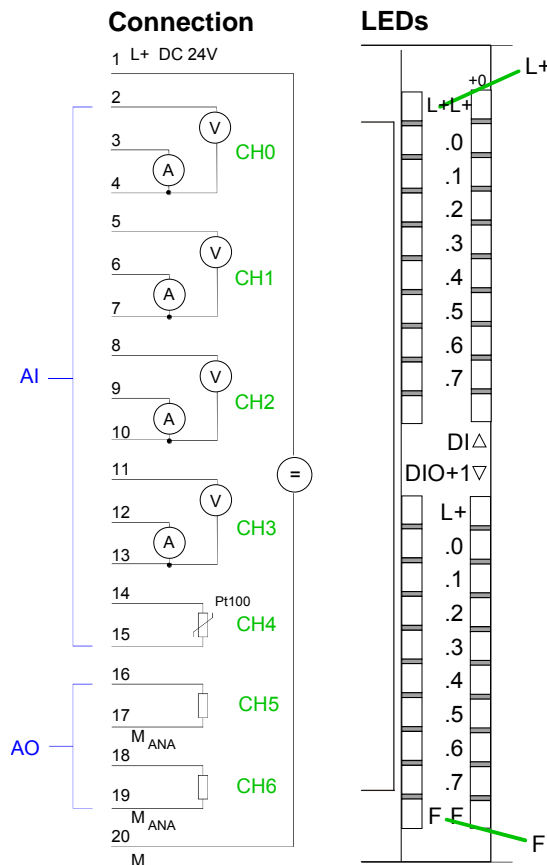
Attention!

Temporarily not used analog inputs with activated channel must be connected to the concerning ground.

To avoid measuring errors, you should connect only one measuring type per channel.

CPU 314-6CF03: Analog part pin assignment and status indicator

Pin	Assignment
1	Power supply DC 24V for analog range
2	Voltage meas. channel 0
3	Current meas. channel 0
4	Ground channel 0
5	Voltage meas. channel 1
6	Current meas. channel 1
7	Ground channel 1
8	Voltage meas. channel 2
9	Current meas. channel 2
10	Ground channel 2
11	Voltage meas. channel 3
12	Current meas. channel 3
13	Ground channel 3
14	Pt 100 channel 4
15	Pt 100 channel 4
16	Output + channel 5
17	Ground output channel 5
18	Output + channel 6
19	Ground output channel 6
20	Ground power supply for analog range



1L+
LED (green)
Supply voltage available

F
LED (red)
Sum error

Access to the Analog part

If there is no hardware configuration available, the in- and output areas starting with address 1024 are mapped to the address range of the CPU. Here the analog part occupies 10byte for analog input and 4byte for analog output.

Otherwise the project engineering takes place after installing the SPEEDBUS.GSD in the Siemens SIMATIC manager. More about this may be found at the chapter "Deployment CPU 314-6CF03" at "Project engineering".

The areas, which are occupied by the analog part, are green marked.

Input range

During the measurement, for every channel the measuring data is stored as word in the data input range.

Address	Access	Assignment
+0	Byte	Digital Input I+0.0 ... I+0.7
+1	Byte	Digital Input I+1.0 ... I+1.7
+2	Word	reserved
+4	Word	Analog Input CH0
+6	Word	Analog Input CH1
+8	Word	Analog Input CH2
+10	Word	Analog Input CH3
+12	Word	Analog Input CH4
+14	Word	reserved
+16	Double word	Counter 0 / Latch 0
+20	Word	reserved
+22	Word	Status Counter 0
+24	Double word	Counter 1 / Latch 1
+28	Word	reserved
+30	Word	Status Counter 1
+32	Double word	Counter 2 / Latch 2
+36	Word	reserved
+38	Word	Status Counter 2
+40	Double word	Counter 3 / Latch 3
+44	Word	reserved
+46	Word	Status Counter 3

Output range

For the output you enter a value as word into the data output range.

Address	Access	Assignment
+0	Byte	reserved
+1	Byte	Digital Output Q+1.0 ... Q+1.7
+2	Word	reserved
+4	Word	Analog Output CH0
+6	Word	Analog Output CH1
+8	Word	reserved
+10	Word	Status Counter 0
+12	Word	reserved
+14	Word	Status Counter 1
+16	Word	reserved
+18	Word	Status Counter 2
+20	Word	reserved
+22	Word	Status Counter 3

Numeric notation in Siemens S7 format

The analog values are represented in two's complement format. Depending on the parameterized transformation speed the lowest value bits of the measuring value are irrelevant. With increasing sampling rate, the resolution decreases. The following table lists the resolution in dependence of the sampling rate.

		Analog value															
		High-Byte								Low-Byte							
Bit number		15	14	13	12	11	10	9	8	7	6	5	4	3	2	1	0
Resolution	sign	Measuring value															
15bit + sign	sign	Relevant output value (at 3.7 ... 30Hz)															
14bit + sign	sign	Relevant output value (at 60Hz)															X*
13bit + sign	sign	Relevant output value (at 120Hz)														X	X
11bit + sign	sign	Relevant output value (at 170Hz)												X	X	X	X
9bit + sign	sign	Relevant output value (at 200Hz)										X	X	X	X	X	X

* The lowest value irrelevant bits of the output value are marked with "X".

Algebraic sign bit (sign)

Bit 15 serves as algebraic sign bit. Here is:
 Bit 15 = "0" → positive value
 Bit 15 = "1" → negative value

Behavior at errors

As soon as a measuring value exceeds the overdrive res. underdrive region, the following value is returned:
 Measuring value > Overdrive region: 32767 (7FFFh)
 Measuring value < Underdrive region: -32768 (8000h)

At wire break, parameterization error or de-activated analog part the measuring value 32767 (7FFFh) is returned.

Analog part deactivated

With this record set 9Eh you may de-activate the digital res. analog part. Please regard that in spite of the de-activation of the digital res. analog part the process image for both components remains reserved. The record set has the following structure:

Byte	Bit 15 ... 0
0...1	<i>Bit 15 ... 0: Module selection</i> 0000h = Digital- / Analog part activated (default) 0001h = Digital part de-activated 0002h = Analog part de-activated

For detailed information see "Counter parameterization" below.

Digital/Analog conversion

In the following all measuring ranges are listed that are supported by the analog part.

The here listed formulas allow you to transform an evaluated measuring value (digital value) to a value assigned to the measuring range and vice versa.

+/- 10V

Voltage	Decimal	Hex
-10V	-27648	9400
-5V	-13824	CA00
0V	0	0
+5V	13824	3600
+10V	+27648	6C00

Formulas for the calculation:

$$Value = 27648 \cdot \frac{U}{10}, \quad U = Value \cdot \frac{10}{27648}$$

U: voltage, Value: decimal value

0...10V

Voltage	Decimal	Hex
0V	0	0
5V	13824	3600
10V	27648	6C00

Formulas for the calculation:

$$Value = 27648 \cdot \frac{U}{10}, \quad U = Value \cdot \frac{10}{27648}$$

U: voltage, Value: decimal value

0...20mA

Current	Decimal	Hex
0mA	0	0
+10mA	+13824	3600
+20mA	+27648	6C00

Formulas for the calculation:

$$Value = 27648 \cdot \frac{I}{20}, \quad I = Value \cdot \frac{20}{27648}$$

I: current, Value: decimal value

4...20mA

Current	Decimal	Hex
+4mA	0	0
+12mA	+13824	3600
+20mA	+27648	6C00

Formulas for the calculation:

$$Value = 27648 \cdot \frac{I-4}{16}, \quad I = Value \cdot \frac{16}{27648} + 4$$

I: current, Value: decimal value

+/- 20mA

Current	Decimal	Hex
-20mA	-27648	9400
-10mA	-13824	CA00
0mA	0	0
+10mA	+13824	3600
+20mA	+27648	6C00

Formulas for the calculation:

$$Value = 27648 \cdot \frac{I}{20}, \quad I = Value \cdot \frac{20}{27648}$$

I: current, Value: decimal value

Analog Part - Parameterization

Parameter data

18Byte of parameter data are available for the configuration. By using the record set B4h of the SFC 55 "WR_PARM" you may alter the parameterization in the module during runtime. The time needed until the new parameterization is valid can last up to 50ms. During this time, the measuring value output is 7FFFFh. The following table shows the structure of the parameter data:

Record set B4h

Byte	Bit 7 ... 0	Default
0	Channel 0: Wire break recognition Bit 0: 0 = off (Wire break recognition deactivated) 1 = on (Wire break recognition activated) Channel 1: Wire break recognition Bit 1: 0 = off (Wire break recognition deactivated) 1 = on (Wire break recognition activated) Channel 2: Wire break recognition Bit 2: 0 = off (Wire break recognition deactivated) 1 = on (Wire break recognition activated) Channel 3: Wire break recognition Bit 3: 0 = off (Wire break recognition deactivated) 1 = on (Wire break recognition activated) Channel 4: Wire break recognition Bit 4: 0 = off (Wire break recognition deactivated) 1 = on (Wire break recognition activated) Bit 7 ... 5: reserved	00h
1	Bit 4 ... 0: reserved Channel 5: Reaction at CPU_STOP Bit 5: 0 = Set replacement value ^{*)} 1 = Store last value Channel 6: Reaction at CPU_STOP Bit 6: 0 = Set replacement value ^{*)} 1 = Store last value Bit 7: reserved	00h
2	Channel 0: Function (see table input ranges)	19h
3	Channel 1: Function (see table input ranges)	19h
4	Channel 2: Function (see table input ranges)	19h
5	Channel 3: Function (see table input ranges)	19h
6	Channel 4: Function (see table input ranges)	00h
7	Channel 0: Measuring cycle (see table next page)	00h
8	Channel 1: Measuring cycle (see table next page)	00h
9	Channel 2: Measuring cycle (see table next page)	00h
10	Channel 3: Measuring cycle (see table next page)	00h
11	Channel 4: Measuring cycle (see table next page)	00h
12	Channel 5: Function (see table output ranges)	19h
13	Channel 6: Function (see table output ranges)	19h
14	Channel 5: High-Byte substitute value	00h
15	Channel 5: Low-Byte substitute value	00h
16	Channel 6: High-Byte substitute value	00h
17	Channel 6: Low-Byte substitute value	00h

^{*)} If you want to get 0A res. 0V as output value at CPU-STOP, you have to set the replacement value E500h.

Parameters

Wire break recognition

The Bits 0 ... 4 of Byte 0 allow you to activate the wire break recognition for the input channels. The wire break recognition is only available for the current measuring range of 4...20mA and thermo resistance measurement. A wire break is recognized, a diagnostic entry is made and displayed by the SF LED when the current during current measuring (4 ... 20mA) sinks under 1.18mA res. at thermo resistance measurement the resistance becomes endless. If additionally a diagnostic interrupt is activated, a diagnostic message is sent to the superordinated system.

Diagnostic interrupt

The diagnostic interrupt is global released for the digital and analog part. More is to be find at "Counter - Parameterization". In case of an error like e.g. wire break, the superordinated system receives *record set 0*. For a channel specific diagnostic you may then call *record set 1* (see "Diagnostic data").

CPU-Stop reaction and substitute value

With Bit 5 and 6 of Byte 1 and Byte 14 ... 17 you may set the reaction of the module at CPU-Stop for every output channel.

Via Byte 14 ... 17 you predefine a substitute value for the output channel as soon as the CPU switches to Stop.

By setting Bit 5 res. 6, the last output value remains in the output at CPU-Stop. A reset sets the replacement value.

Function No.

Here you set the function no. of your measuring res. output function for every channel. Please see the according table above.

Measuring cycle

Here you may set the transducer velocity for every input channel. Please regard that a higher transducer velocity causes a lower resolution because of the lower integration time.

The data transfer format remains unchanged. Only the lower Bits (LSBs) are not longer relevant for the analog value.

Structure Measuring cycle Byte:

Byte	Bit 7 ... 0	Resolution	Default
7 ... 11	Bit 3 ... 0: Velocity per channel		00h
	0000 15 conversions/s	16	
	0001 30 conversions/s	16	
	0010 60 conversions/s	15	
	0011 120 conversions/s	14	
	0100 170 conversions/s	12	
	0101 200 conversions/s	10	
	0110 3.7 conversions/s	16	
	0111 7.5 conversions/s	16	
	Bit 7 ... 4: reserved		

Function no. assignment The assignment of a function no. to a certain channel happens during parameterization. By setting 00h you may de-activate the according channel.

Input range
(channel 0 ... 3)

No.	Function	Input range
19h	Voltage $\pm 10V$ Siemens S7-format	$\pm 11.76V$ 11.76V = End overdrive region (32511) -10V...10V = nominal range (-27648...27648) -11.76 = End underdrive region (-32512) two's complement
18h	Voltage 0...10V Siemens S7-format	0...11.76V 11.76V = End overdrive region (32511) 0...10V = nominal range (0...27648) no underdrive region available
24h	Current $\pm 20mA$ Siemens S7-format	$\pm 23.52mA$ 23.52mA = End overdrive region (32511) -20...20mA = nominal range (-27648...27648) -23.52mA = End underdrive region (-32512) two's complement
23h	Current 4...20mA Siemens S7-format	1.185...22.81mA 22.81mA = End overdrive region (32511) 4...20mA = nominal range (0...27648) 1.185mA = End underdrive region (-4864) two's complement
22h	Current 0...20mA Siemens S7-format	0...23.52mA 23.52mA = End overdrive region (32511) 0...20mA = nominal range (0...27648) no underdrive region available
00h	Channel not active (turned off)	

Input range
(channel 4)

No.	Function	Measuring range / representation
82h	Pt100 in 2wire mode	-240...1000°C 1000°C = End overdrive region (10000) -200...+850°C = nominal range (-2000...8500) -240°C = End underdrive region (-2400) two's complement
85h	Pt1000 in 2wire mode	-240...600°C 600°C = End overdrive region (6000) -200...+500°C = nominal range (-2000...5000) -240°C = underdrive region (-2400) two's complement
83h	NI100 in 2wire mode	-105...295°C 295°C = End overdrive region (2950) -50...+250°C = nominal range (-500...2500) -105°C = End underdrive region (-1050) two's complement
86h	NI1000 in 2wire mode	-105...270°C 270°C = End overdrive region (2700) -50...+250°C = nominal range (-500...2500) -105 = End underdrive region (-1050) two's complement
46h	Resistance measurement 600Ohm 2wire	0...705.5 Ω 705.5 Ω = End overdrive region (32511) 0...600 Ω = nominal range (0...27648) no underdrive region available
00h	Channel not active (turned off)	

Output range
(channel 5, channel 6)

No.	Function	Output range
19h	Voltage $\pm 10V$ Siemens S7-format	$\pm 11.76V$ 11.76V = End overdrive region (32511) -10V...10V = nominal range (-27648...27648) -11.76 = End underdrive region (-32512) two's complement
18h	Voltage 0...10V Siemens S7-format	0...11.76V 11.76V = End overdrive region (32511) 0...10V = nominal range (0...27648) no underdrive region
24h	Current $\pm 20mA$ Siemens S7-format	$\pm 23.52mA$ 23.52mA = End overdrive region (32511) -20...20mA = nominal range (-27648...27648) -23.52mA = End underdrive region (-32512) two's complement
23h	Current 4...20mA Siemens S7-format	0...22.81mA 22.81mA = End overdrive region (32511) 4...20mA = nominal range (0...27648) 0mA = End underdrive region (-6912) two's complement
22h	Current 0...20mA Siemens S7-format	0...23.52mA 23.52mA = End overdrive region (32511) 0...20mA = nominal range (0...27648) no underdrive region
00h	Channel not active (turned off)	

**Note!**

Leaving the defined range, the output is 0V res. 0A!

Analog part - Diagnostic functions

Overview

As soon as you've activated the diagnostic interrupt release in the parameterization, the following events can release a diagnostic interrupt:

- Wire break
- Parameterization error
- Measuring range overflow
- Measuring range underflow

At accumulated diagnostic the CPU interrupts the user application and branches to the OB 82 for diagnostic_{incoming}. This OB allows you with an according programming to monitor detailed diagnostic information via the SFCs 51 or 59 and to react to it. After the execution of the OB 82 the user application processing is continued. The diagnostic data is consistent until leaving the OB 82.

After error correction automatically a diagnostic_{going} occurs if the diagnostic interrupt release is still active. In the following the record sets for diagnostic_{incoming} and diagnostic_{going} are specified:

Record set 0

Diagnostic_{incoming}

Byte	Bit 7 ... 0
0	Bit 0: 0 = OK 1 = Module malfunction Bit 1: 0 (fix) Bit 2: External error Bit 3: Channel error present Bit 4: External supply voltage is missing Bit 6, 5: 0 (fix) Bit 7: Wrong parameters in the module
1	Bit 3 ... 0: Module class 0101b: Analog module Bit 4: Channel information present Bit 7 ... 5: 0 (fix)
2	00h (fix)
3	00h (fix)

Record set 0

Diagnostic_{going}

After error correction automatically a diagnostic_{going} occurs if the diagnostic interrupt release is still active.

Byte	Bit 7 ... 0
0	00h (fix)
1	Bit 3 ... 0: Module class 0101b: Analog module Bit 4: Channel information present Bit 7 ... 5: reserved
2	00h (fix)
3	00h (fix)

Record set 1
channel specific
diagnostic_{incoming}
(Byte 0 to 14)

The *record set 1* contains the 4byte of record set 0 and additional 12byte module specific diagnostic data.

The diagnostic bytes have the following assignment:

Byte	Bit 7 ... 0
0 ... 3	Content record set 0 (see page before)
4	Bit 6 ... 0: Channel type (here 74h) 70h: Digital input 71h: Analog input 72h: Digital output 73h: Analog output 74h: Analog in-/output Bit 7: 0 (fix)
5	Number of diagnostic bits per channel (here 08h)
6	Number of channels of a module (here 07h)
7	Bit 0: Channel error Channel 0 Bit 1: Channel error Channel 1 Bit 2: Channel error Channel 2 Bit 3: Channel error Channel 3 Bit 4: Channel error Channel 4 Bit 5: Channel error Channel 5 Bit 6: Channel error Channel 6 Bit 7: 0 (fix)
8	Bit 0: Parameterization error Channel 0 Bit 1: 0 (fix) Bit 2: 0 (fix) Bit 3: 0 (fix) Bit 4: Wire break Channel 0 Bit 5: 0 (fix) Bit 6: Measuring range underflow Channel 0 Bit 7: Measuring range overflow Channel 0
9	Bit 0: Parameterization error Channel 1 Bit 1: 0 (fix) Bit 2: 0 (fix) Bit 3: 0 (fix) Bit 4: Wire break Channel 1 Bit 5: 0 (fix) Bit 6: Measuring range underflow Channel 1 Bit 7: Measuring range overflow Channel 1
10	Bit 0: Parameterization error Channel 2 Bit 1: 0 (fix) Bit 2: 0 (fix) Bit 3: 0 (fix) Bit 4: Wire break Channel 2 Bit 5: 0 (fix) Bit 6: Measuring range underflow Channel 2 Bit 7: Measuring range overflow Channel 2

continued ...

... continue Record set 1

Byte	Bit 7 ... 0
11	Bit 0: Parameterization error Channel 3 Bit 1: 0 (fix) Bit 2: 0 (fix) Bit 3: 0 (fix) Bit 4: Wire break Channel 3 Bit 5: 0 (fix) Bit 6: Measuring range underflow Channel 3 Bit 7: Measuring range overflow Channel 3
12	Bit 0: Parameterization error Channel 4 Bit 1: 0 (fix) Bit 2: 0 (fix) Bit 3: 0 (fix) Bit 4: Wire break Channel 4 Bit 5: 0 (fix) Bit 6: Measuring range underflow Channel 4 Bit 7: Measuring range overflow Channel 4
13	Bit 0: Parameterization error Channel 5 Bit 1: 0 (fix) Bit 2: 0 (fix) Bit 3: Short circuit Channel 5 Bit 4: Wire break Channel 5 Bit 7 ... 5: 0 (fix)
14	Bit 0: Parameterization error Channel 6 Bit 1: 0 (fix) Bit 2: 0 (fix) Bit 3: Short circuit Channel 6 Bit 4: Wire break Channel 6 Bit 7 ... 5: 0 (fix)

Digital part

Overview

The digital part consists of 8 input and 8 in-/output channels. Each of these channels shows its state via a LED. By means of the parameterization you may assign interrupt properties to every digital input. Additionally you may parameterize the digital inputs as counter with max. 100kHz.

The output channels provide a diagnostic function, i.e. as soon as an output is active, the concerning input is set to "1". At a short circuit at the load, the input is set to "0" and the error may be recognized by evaluating the input. The DIO area has to be provided with external DC 24V.



Attention!

Please regard that the voltage at an output channel is always \leq the supply voltage connected to L+.

Please regard also that due to the parallel connection of in- and output channel for each group one set output can be supplied via a connected input signal.

A thus connected output remains active even with shut down supply voltage.

Non-observance may cause damages of the module.

CPU 314-6CF03: Digital part X12 pin assignment and status indicator

Pin	Assignment	Connection	LEDs
21	Power supply +DC 24V	21 1L+	
22	I+0.0 / Counter 0(A)	22	0
23	I+0.1 / Counter 0(B)	23	1
24	I+0.2 / Gate0/Latch0/Reset0	24	2
25	I+0.3 / Counter 1(A)	25	3
26	I+0.4 / Counter 1(B)	26	4
27	I+0.5 / Gate1/Latch1/Reset1	27	5
28	I+0.6 / Counter 2(A)	28	6
29	I+0.7 / Counter 2(B)	29	7
30	Ground DI	30 1M	
31	Power supply +DC 24V	31 2L+	
32	I/Q+1.0 / Gate2/Latch2/Reset2	32	0
33	I/Q+1.1 / Counter 3(A)	33	1
34	I/Q+1.2 / Counter 3(B)	34	2
35	I/Q+1.3 / Gate3/Latch3/Reset3	35	3
36	I/Q+1.4 / OUT0/Latch0/Reset0	36	4
37	I/Q+1.5 / OUT1/Latch1/Reset1	37	5
38	I/Q+1.6 / OUT2/Latch2/Reset2	38	6
39	I/Q+1.7 / OUT3/Latch3/Reset3	39	7
40	Ground DIO	40 2M	

LEDs	Assignment
.07	DI: LEDs (green) I+0.0 to I+0.7 (each Byte) Starting with app. 15V the signal "1" at the input is recognized and the according LED
2L+	DIO: LED (green) Supply voltage available for DIO
.07	I/Q+1.0 to I/Q+1.7 on at active output/input
F	LED (red) Overload or short circuit error

Access to the digital part

If there is no hardware configuration available, the in- and output areas starting with address 1024 are mapped to the address range of the CPU. Here the digital part occupies 34byte for digital input and 18byte for digital output.

Otherwise the project engineering takes place after installing the SPEEDBUS.GSD in the Siemens SIMATIC manager. More about this may be found at the chapter "Deployment CPU 314-6CF03" at "Project engineering".

The areas, which are occupied by the digital part, are **green** marked.

Input range

Address	Access	Assignment
+0	Byte	Digital Input I+0.0 ... I+0.7
+1	Byte	Digital Input I+1.0 ... I+1.7
+2	Word	reserved
+4	Word	Analog Input CH0
+6	Word	Analog Input CH1
+8	Word	Analog Input CH2
+10	Word	Analog Input CH3
+12	Word	Analog Input CH4
+14	Word	reserved
+16	Double word	Counter 0 / Latch 0
+20	Word	reserved
+22	Word	Status Counter 0
+24	Double word	Counter 1 / Latch 1
+28	Word	reserved
+30	Word	Status Counter 1
+32	Double word	Counter 2 / Latch 2
+36	Word	reserved
+38	Word	Status Counter 2
+40	Double word	Counter 3 / Latch 3
+44	Word	reserved
+46	Word	Status Counter 3

Output range

For the output you enter a Word value into the data output range.

Address	Access	Assignment
+0	Byte	reserved
+1	Byte	Digital Output Q+1.0 ... Q+1.7
+2	Word	reserved
+4	Word	Analog Output CH0
+6	Word	Analog Output CH1
+8	Word	reserved
+10	Word	Status Counter 0
+12	Word	reserved
+14	Word	Status Counter 1
+16	Word	reserved
+18	Word	Status Counter 2
+20	Word	reserved
+22	Word	Status Counter 3

Counter - Fast introduction

Fast introduction The CPU 314-6CF03 has 4 parameterizable counters integrated that may be controlled separately. During the count process the counter signal is recognized and evaluated. Every counter occupies one double word in the input range for the *counter register* and one word in the in- and output range for the *input res. output status*.

Preset res. parameterize counter By including the SPEEDBUS.GSD you may preset all counter parameters via a hardware configuration. Here you may define among others:

- Interrupt behavior
- Assignment I/O (Gate, Latch, Reset, OUT)
- Input filter
- Counter operating mode res. behavior
- Start value for load value, end value and comparison value register

You may alter the parameters during runtime by using the SFC 55, 56, 57 and 58, except of the parameters in record set 0. Here you have to send the wanted parameters to the counter by means of the user application using the according SFC and sending the data as record set.

Control counter The counter is controlled via the internal gate (I-gate). The I-gate is the sum of hardware- (HW) and Software-gate (SW), where the HW-gate evaluation may be deactivated via the parameterization.

HW-gate: Input at Gate_x-input at module

SW-gate: Open (activate): Set once output status Bit 2 in the output range
 Close (deactivate): Set output status Bit 10 in the output range

The following states influence the gates:

SW-gate	HW-gate	influences I-gate
0	with positive edge	0
1	with positive edge	1
with positive edge	1	1
with positive edge	0	0
with positive edge	de-activated	1

Read counter Depending on the status setting, the counter register contains the recent counter value (input status Bit 0=0) or the recent Latch value (input status Bit 0=1).

By setting the output status Bit 8 the recent Latch value is transferred to the counter register in the input area.

Transfer the recent counter value by setting the output status Bit 0.

Counter status word

Besides of the counter register in the input area you may find a status word for every counter in the in- res. output range. You may monitor the status or influence the counter by setting according bits like e.g. activate the SW gate.

Input status word

The status word in the input range has the following structure:

Bit	Label	Function
0	COUNT_LTCH	0: Value in input image is counter value 1: Value in input image is latch value
1	CTRL_Count_DO	Is set when the digital output is released
2	STS_SW-GATE	Status software gate (set when SW gate active)
3	reserved	reserved
4	STS_STRT	Status hardware gate (set when HW gate active)
5	STS_GATE	Status internal gate (set when internal gate active)
6	STS_DO	Status of the digital output of a counter (DO)
7	STS_C_DN	Status counter direction backwards
8	STS_C_UP	Status counter direction forward
9	STS_CMP*	Status Comparison (Compare) is set when counter value = comparison value. If comparison is parameterized <i>never</i> , the bit is never set
10	STS_END*	Status set when end value is reached
11	STS_OFLW*	Status overflow
12	STS_UFLW*	Status underrun
13	STS_ZP*	Status zero run
14	STS_LTCH	Status of the Latch input of a counter
15	NEW_LTCH	Is set if value in the Latch register has changed

* The bits remain set until reset with RES (Bit 6 status word output image).

Output status word

After setting a bit in the output status word this is immediately set back. Please regard that setting and resetting of a function at the output status word takes place with different bits:

Bit	Label	Function
0	Get_Count_Val	Transfer counter value to process image
1	Set_Count_DO	Release the digital output for counter (output only available via counter)
2	Set_SW-Gate	Set software gate (not allowed at OB 100)
3	reserved	-
4	reserved	-
5	Set_Count_Val	Set counter temporarily to a value (the counter value for Z_x has to be transferred before via record set (9A+x)h)
6	Reset_STS	Reset bits STS_CMP, STS_END, STS_OFLW, STS_UFLW and STS_ZP
7	reserved	-
8	Get_Latch_Val	Transfer Latch value to process image
9	Reset_Count_DO	Lock digital output for counter (output available only via process image)
10	Reset_SW_Gate	Reset software gate
12	reserved	-
...
15	reserved	-

**Counter inputs
(Connections)**

For not all inputs are available at the same time, you may set the input assignment for every counter via the parameterization. For each counter the following inputs are available:

Counter_x (A)

Pulse input for count signal res. track A of an encoder. Here you may connect encoder with 1-, 2- or 4-tier evaluation.

Counter_x (B)

Direction signal res. track B of the encoder. Via the parameterization you may invert the direction signal.

The following inputs may be assigned to a pin at the module via parameterization:

Gate_x

This input allows you to open the HW gate with a high peek and thus start a count process.

Latch_x

With a positive edge at Latch_x the recent counter value is stored in a memory that you may read at need.

Reset_x

As long as Reset_x is applied with a positive level the counter is still reset to the load value.

Counter outputs

Every counter has an assigned output channel. The following behavior for the output channel can be set via parameterization:

- No comparison: output is not headed for
- Count value \geq comparison value: output is set
- Count value \leq comparison value: output is set
- Count value = comparison value: output is set

**Maximum count
frequency**

The maximum count frequency is 100kHz, independent from the number of activated counters.

Counter - Parameterization

Overview

The parameterization takes place in the hardware configurator. Here, parameter data are transferred existing of the following components:

Byte	Record set	Description
16	0h	Counter mode C0 ... C3
4	7Fh	Diagnostic interrupt
16	80h	Edge selection for process interrupt
32	81h	Filter value I+0.0 ... I+1.7
16	82 ... 86h	C0: Comparison, Set, End value, hysteresis, pulse
16	87h	C0: Sum parameter (Comparison, Set, End value, hysteresis and pulse)
16	88 ... 8Ch	C1: Comparison, Set, End value, hysteresis, pulse
16	8Dh	C1: Sum parameter (Comparison, Set, End value, hysteresis and pulse)
16	8E ... 92h	C2: Comparison, Set, End value, hysteresis, pulse
16	93h	C2: Sum parameter (Comparison, Set, End value, hysteresis and pulse)
16	94 ... 98h	C3: Comparison, Set, End value, hysteresis, pulse
16	99h	C3: Sum parameter (Comparison, Set, End value, hysteresis and pulse)
4	9Ah	C0: Count value that is transferred to counter by setting Bit 5 in the output status word
4	9Bh	C1: Count value that is transferred to counter by setting Bit 5 in the output status word
4	9Ch	C2: Count value that is transferred to counter by setting Bit 5 in the output status word
4	9Dh	C3: Count value that is transferred to counter by setting Bit 5 in the output status word
2	9Eh	Analog-/Digital part activated or deactivated

Except of the parameter in record set 0, you may transfer the other parameters during runtime by using the SFC 55, 56, 57 and 58 to the digital part. For this you have to transfer the wanted parameters to the counter by using the according SFC in the user application.

Record set 0
Counter mode

Via the record set 0 you may preset a counter mode for every counter as double word. Please regard that the record set 0 may not be transferred during runtime. Record set 0 has the following structure:

Byte	Description
0 ... 3	Counter mode C0
4 ... 7	Counter mode C1
8 ... 11	Counter mode C2
12 ... 15	Counter mode C3

Counter mode

The double word for the counter mode has the following structure:

Byte	Bit 7 ... 0
0	<p><i>Bit 2 ... 0: Signal evaluation</i></p> <p>000b = Counter de-activated At de-activated counter the further parameter settings for this counter are ignored and the according I/O channel is set as "normal" output if this should be used as output.</p> <p>001b = Encoder 1-tier (at counter_x (A_x) and counter_x (B_x)) 010b = Encoder 2-tier (at counter_x (A_x) and counter_x (B_x)) 011b = Encoder 4-tier (at counter_x (A_x) and counter_x (B_x)) 100b = Pulse/direction (pulse at counter_x (A_x) and direction at counter_x (B_x))</p> <p><i>Bit 6 ... 3: C_x input</i> (Function of the counter input as gate, latch or reset)</p> <p>0000b = de-activated (counter starts at set SW gate) 0001b = Gate_x The input of counter_x serves as gate. High peek at gate activates the HW gate. The counter may only start when HW and SW gate are set.</p> <p>0010b = Monoflop* 0100b = Latch_x (Positive edge at input saves counter value) 1000b = Reset_x (Positive level at input sets counter back)</p> <p><i>Bit 7: Gate function (internal gate)</i></p> <p>0 = abort (count process starts again at load value) 1 = interrupt (count process continues with counter value)</p>
1	<p><i>Bit 2 ... 0: Output set</i> (OUT_x of counter_x is set when condition is met)</p> <p>000b = never 001b = counter value >= comparison value 010b = counter value <= comparison value 100b = counter value = comparison value</p> <p><i>Bit 3: Count direction</i></p> <p>0 = count direction inverted: OFF (count direction at B_x not inverted) 1 = count direction inverted: ON (count direction at B_x inverted)</p> <p><i>Bit 7 ... 4: reserved</i></p>

* not supported at this time

continued ...

... continue

Byte	Bit 7 ... 0
2	<p><i>Bit 5 ... 0: Counter function</i></p> <p>000000b = Count endless 000001b = Once: forward 000010b = Once: backwards 000100b = Once: no main direction 001000b = Periodic: forward 010000b = Periodic: backwards 100000b = Periodic: no main direction</p> <p>More details at "Counter - Functions" below.</p> <p><i>Bit 7 ... 6: C_x In-/Output</i> (Function of the counter I/O as OUT, Latch or Reset)</p> <p>00b = 0: OUT_x (at comparison function) 01b = 1: Latch_x (rising edge saves counter value) 10b = 1: Reset_x (positive level resets counter)</p>
3	<p><i>Bit 5 ... 0: Interrupt behavior</i></p> <p>Bit 0: Proc. interrupt HW gate open Bit 1: Proc. interrupt HW gate closed Bit 2: Proc. interrupt overflow Bit 3: Proc. interrupt underrun Bit 4: Proc. interrupt comparison value Bit 5: Proc. interrupt end value</p> <p>By setting the Bits you may activate the wanted process interrupts.</p> <p><i>Bit 7 ... 6: reserved</i></p>

Record set 7Fh

Diagnostic interrupt

This record set activates res. de-activates the diagnostic function.

A diagnostic interrupt occurs when during a process interrupt execution another process interrupt is initialized for the same event.

The record set has the following structure:

Byte	Bit 15 ... 0
0...1	<p><i>Bit 15 ... 0: Diagnostic interrupt</i></p> <p>0000h = de-activated 0001h = activated</p>
2...3	<i>Bit 15 ... 0: reserved</i>

Record set 80h
Edge selection

Via this record set you may activate a process interrupt for I+0.0 ... I+1.7 and define for which edge type of the input signal a process interrupt is thrown.

The record set has the following structure:

Byte	Bit 7 ... 0
0	<i>Bit 1 ... 0: Edge selection I+0.0</i> 00b = de-activated 01b = Process interrupt at rising edge 10b = Process interrupt at falling edge 11b = Process interrupt at rising and falling edge <i>Bit 7 ... 2: reserved</i>
...	...
15	<i>Bit 1 ... 0: Edge selection I+1.7</i> 00b = de-activated 01b = Process interrupt at rising edge 10b = Process interrupt at falling edge 11b = Process interrupt at rising and falling edge <i>Bit 7 ... 2: reserved</i>

Record set 81h
Input filter

This record set allows you to preset an input filter in steps of 2.56µs steps for I+0.0 ... I+1.7. By preceding a filter you define how long an input signal must be present before it is recognized as "1" signal. With the help of filters you may e.g. filter signal peaks at a blurred input signal.

The entry happens as a factor of 2.56µs and is within the range 1 ... 16000 i.e. 2.56µs ... 40.96ms.

The record set has the following structure:

Byte	Bit 15 ... 0
0 ... 1	Bit 15 ... 0: Input filter I+0.0 in 2.56µs
2 ... 3	Bit 15 ... 0: Input filter I+0.1 in 2.56µs
4 ... 5	Bit 15 ... 0: Input filter I+0.2 in 2.56µs
...	...
30 ... 31	Bit 15 ... 0: Input filter I+1.7 in 2.56µs

Record set 82 ... 99h
Counter parameter

Each of the following counter parameters has an assigned record set depending on the counter number. Additionally for every counter the parameter are summoned in one record set.

The record sets have the same structure for every counter. Please refer to the following table for the structure and the according record set number assignment. The record set has the following structure:

Count. 0	Count. 1	Count. 2	Count. 3	Type	Function
87h	8Dh	93h	99h		
82h	88h	8Eh	94h	Double word	Comparison value
83h	89h	8Fh	95h	Double word	Load value
84h	8Ah	90h	96h	Double word	End value
85h	8Bh	91h	97h	Word	Hysteresis
86h	8Ch	92h	98h	Word	Pulse

... Continue

Record set 82 ... 99h

Comparison value Via the parameterization you may preset a comparison value that may influence the counter output res. throw a process interrupt when compared with the recent counter value. The behavior of the output res. the process interrupt has to be set via the record set 0.

Load value, end value You may define a main counting direction for every counter via the parameterization.

If "none" or "endless" is chosen, the complete counting range is available:

Counter limits	Valid value range
Lower count limit	- 2 147 483 648 (-2^{31})
Upper count limit	+ 2 147 483 647 ($2^{31}-1$)

Otherwise you may set an upper and a lower limit by setting a *load value* as start and an *end value*.

Hysteresis The hysteresis serves the avoidance of many toggle processes of the output and the interrupt, if the counter value is in the range of the comparison value. You may set a range of 0 to 255. The settings 0 and 1 deactivate the hysteresis. The hysteresis influences zero run, comparison, over- and underflow.

Pulse (Pulse duration) The pulse duration tells for what time the output is set when the parameterized comparison criterion is reached res. overstepped. The pulse duration can be set in steps of 2.048ms between 0 and 522.24ms. If the pulse duration = 0, the output is set active until the comparison condition is not longer fulfilled.



Note!

More details are under "Counter – Additional functions" below!

Datensatz 9A ... 9Dh
Set counter value temporary

A register can be preset using record set (9A+x)h. The current counter value is replaced by the register value by setting bit 5 of the output status word without any influence to the load value.

Record set 9Eh
Module selection

Using this record set you can de-activate the digital res. analog part. If a part is de-activated the corresponding area of the process image is just reserved.

The record set has the following structure:

Byte	Bit 15 ... 0
0...1	<i>Bit 15 ... 0: Module selection</i> 0000h = Digital / analog part activated (default) 0001h = Digital part de-activated 0002h = Analog part de-activated

Counter - Functions

Overview

You may count forward and backwards and choose between the following counter functions:

- Count endless, e.g. distance measuring with incremental encoder
- Count once, e.g. count to a maximum limit
- Count periodic, e.g. count with repeated counter process

In the operating modes "Count once" and "Count periodic" you may define a counter range as start and end value via the parameterization.

For every counter additional parameterizable functions are available like gate function, latch function, comparison, hysteresis and process interrupt.

Main counting direction

Via the parameterization you have the opportunity to define a main counting direction for every counter.

If "none" is chosen, the complete counting range is available:

	Valid value range
Lower count limit	-2 147 483 648 (-2^{31})
Upper count limit	+2 147 483 647 ($2^{31}-1$)

Main counting direction forward

Upper restriction of the count range. The counter counts 0 res. load value in positive direction until the parameterized end value -1 and jumps then back to the load value with the next following encoder pulse.

Main counting direction backwards

Lower restriction of the count range. The counter counts from the parameterized start- res. load value in negative direction to the parameterized end value $+1$ and jumps then back to the start value with the next following encoder pulse.

Abort - interrupt

Abort count process

The count process starts after closing and restart of the gate beginning with the load value.

Interrupt count process

The count process continuous after closing and restart of the gate beginning with the last recent counter value.

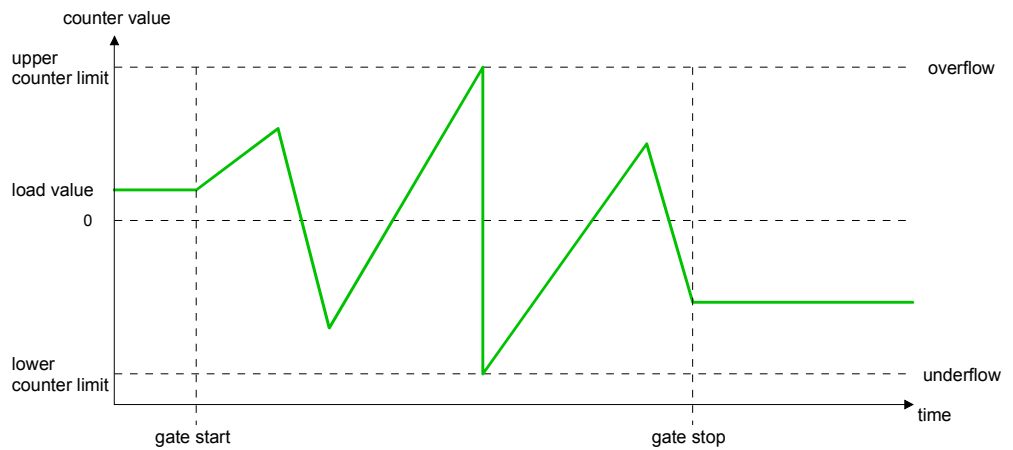
**Count
Continuously**

In this operating mode, the counter counts from 0 res. from the load value.
When the counter counts forward and reaches the upper count limit and another counting pulse in positive direction arrives, it jumps to the lower count limit and counts from there on.

When the counter counts backwards and reaches the lower count limit and another counting pulse in negative direction arrives, it jumps to the upper count limit and counts from there on.

The count limits are set to the maximum count range.

	Valid value range
Lower count limit	-2 147 483 648 (-2^{31})
Upper count limit	+2 147 483 647 ($2^{31}-1$)



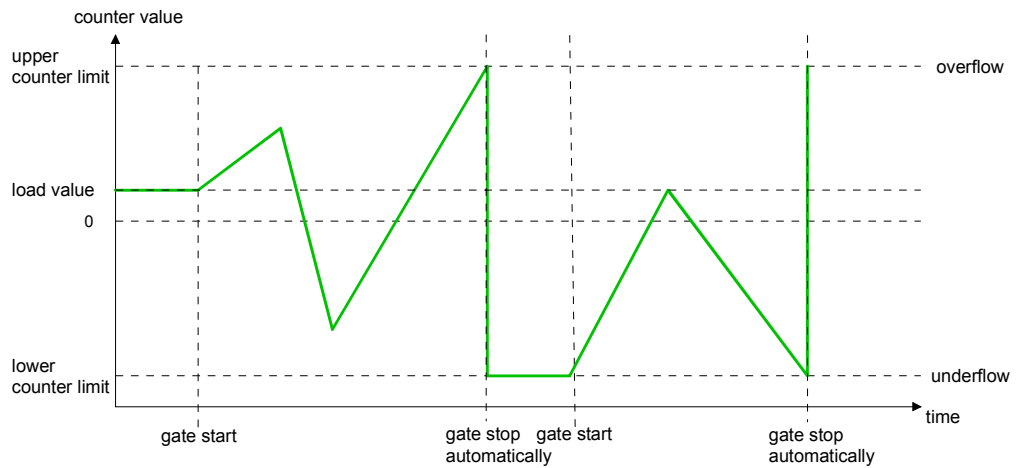
Count Once

No main counting direction

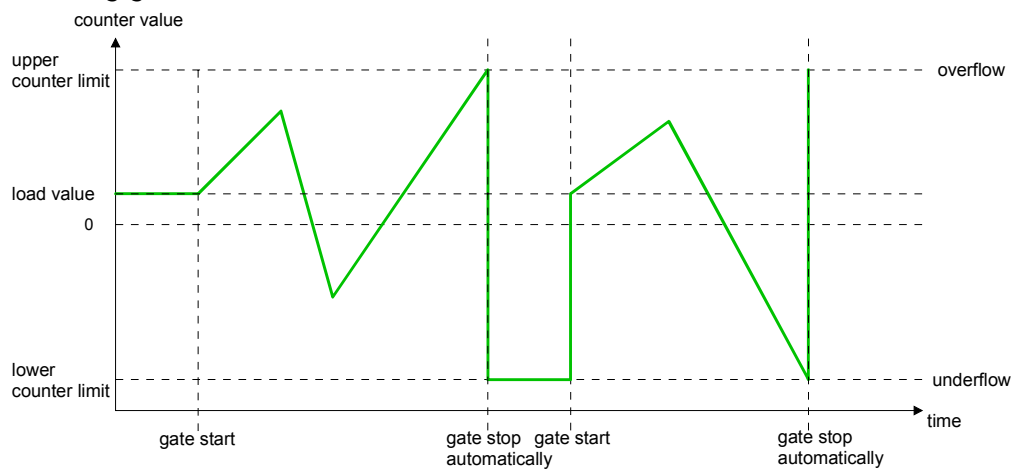
- The counter counts once starting with the load value.
- You may count forward or backwards.
- The count limits are set to the maximum count range.
- At over- or underrun at the count limits, the counter jumps to the according other count limit and the gate is automatically closed.
- To restart the count process, you must create a positive edge of the gate.
- At interrupting gate control, the count process continuous with the last recent counter value.
- At aborting gate control, the counter starts with the load value.

	Valid value range
Lower count limit	-2 147 483 648 (-2^{31})
Upper count limit	+2 147 483 647 ($2^{31}-1$)

Interrupting gate control:



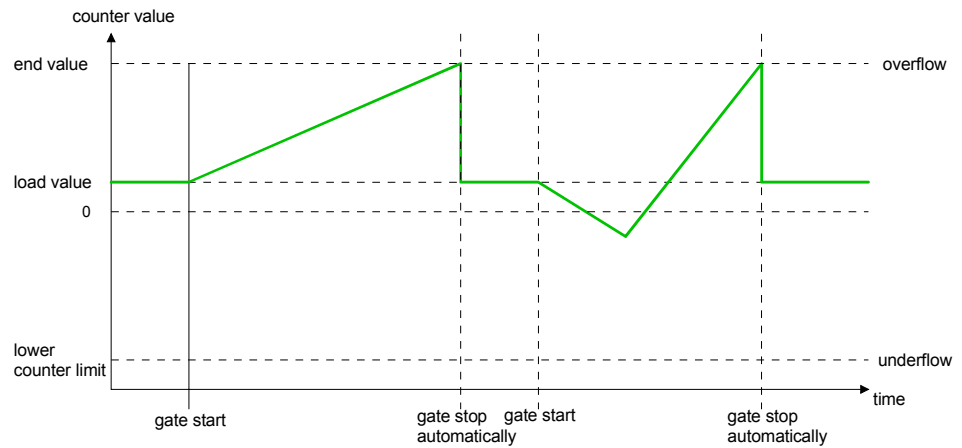
Aborting gate control:



Main counting direction forward

- The counter counts starting with the load value.
- When the counter reaches the end value -1 in positive direction, it jumps to the load value at the next positive count pulse and the gate is automatically closed.
- To restart the count process, you must create a positive edge of the gate. The counter starts with the load value.

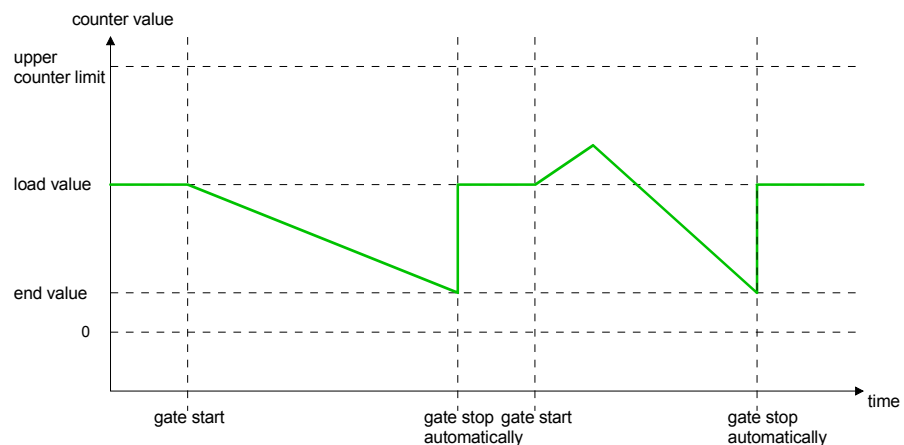
	Valid value range
Limit value	-2 147 483 647 ($-2^{31} + 1$) to +2 147 483 647 ($2^{31} - 1$)
Lower count limit	-2 147 483 648 (-2^{31})



Main counting direction backwards

- The counter counts backwards starting with the load value.
- When the counter reaches the end value +1 in negative direction, it jumps to the load value at the next negative count pulse and the gate is automatically closed.
- To restart the count process, you must create a positive edge of the gate. The counter starts with the load value.

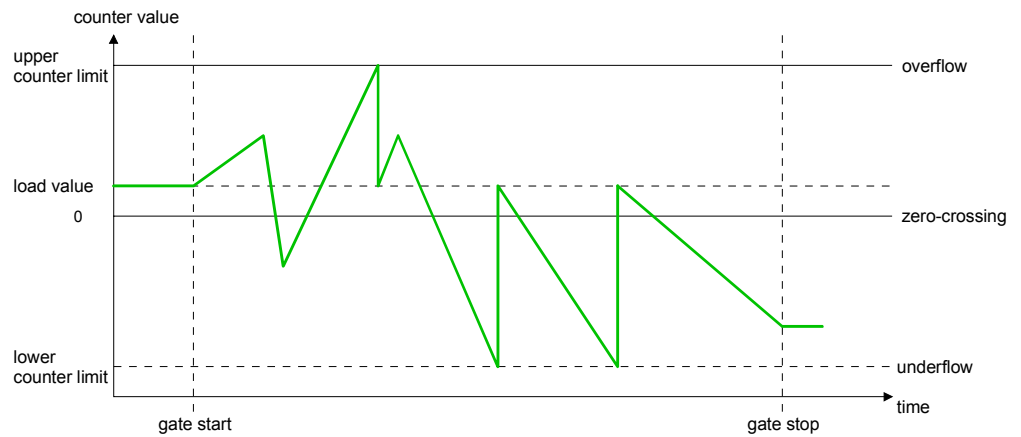
	Valid value range
Limit value	-2 147 483 648 (-2^{31}) to +2 147 483 646 ($2^{31} - 2$)
Upper count limit	+2 147 483 647 ($2^{31} - 1$)



Count Periodically *No main counting direction*

- The counter counts forward or backwards starting with the load value.
- At over- or underrun at the count limits, the counter jumps to the according other count limit and counts from there on.
- The count limits are set to the maximum count range.

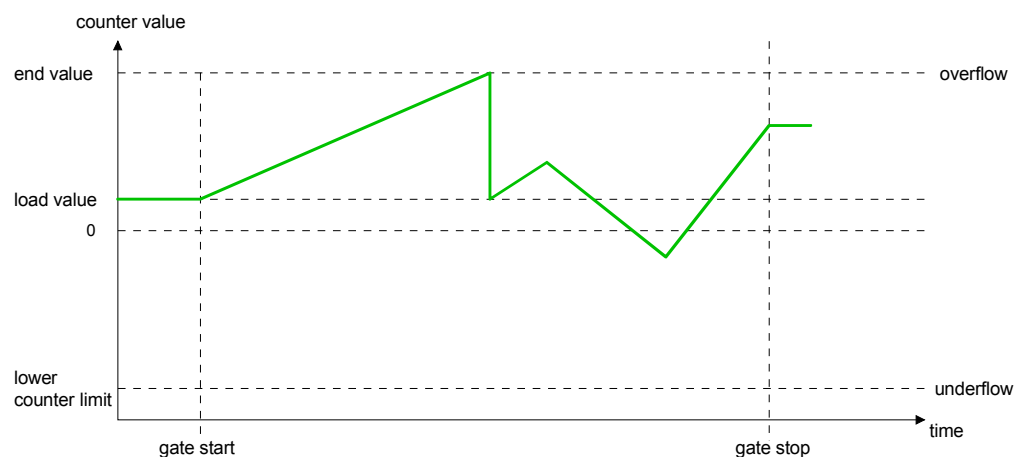
	Valid value range
Lower count limit	-2 147 483 648 (-2^{31})
Upper count limit	+2 147 483 647 ($2^{31}-1$)



Main counting direction forward

- The counter counts forward starting with the load value
- When the counter reaches the end value -1 in positive direction, it jumps to the load value at the next positive count pulse.

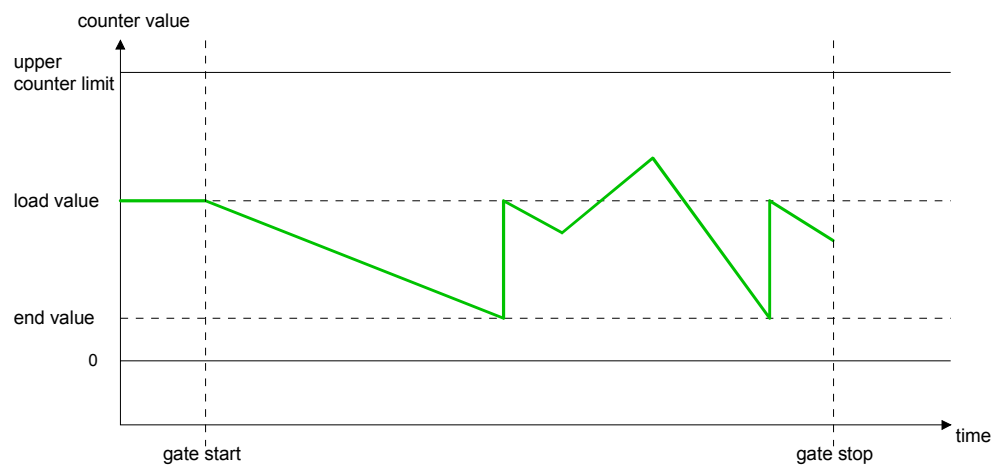
	Valid value range
Limit value	-2 147 483 647 ($-2^{31}+1$) to +2 147 483 647 ($2^{31}-1$)
Lower count limit	-2 147 483 648 (-2^{31})



Main counting direction backwards

- The counter counts backwards starting with the load value
- When the counter reaches the end value+1 in negative direction, it jumps to the load value at the next negative count pulse.
- You may exceed the upper count limit.

	Valid value range
Limit value	-2 147 483 648 (-2^{31}) bis +2 147 483 646 ($2^{31}-2$)
Upper count limit	+2 147 483 647 ($2^{31}-1$)



Counter - Additional functions

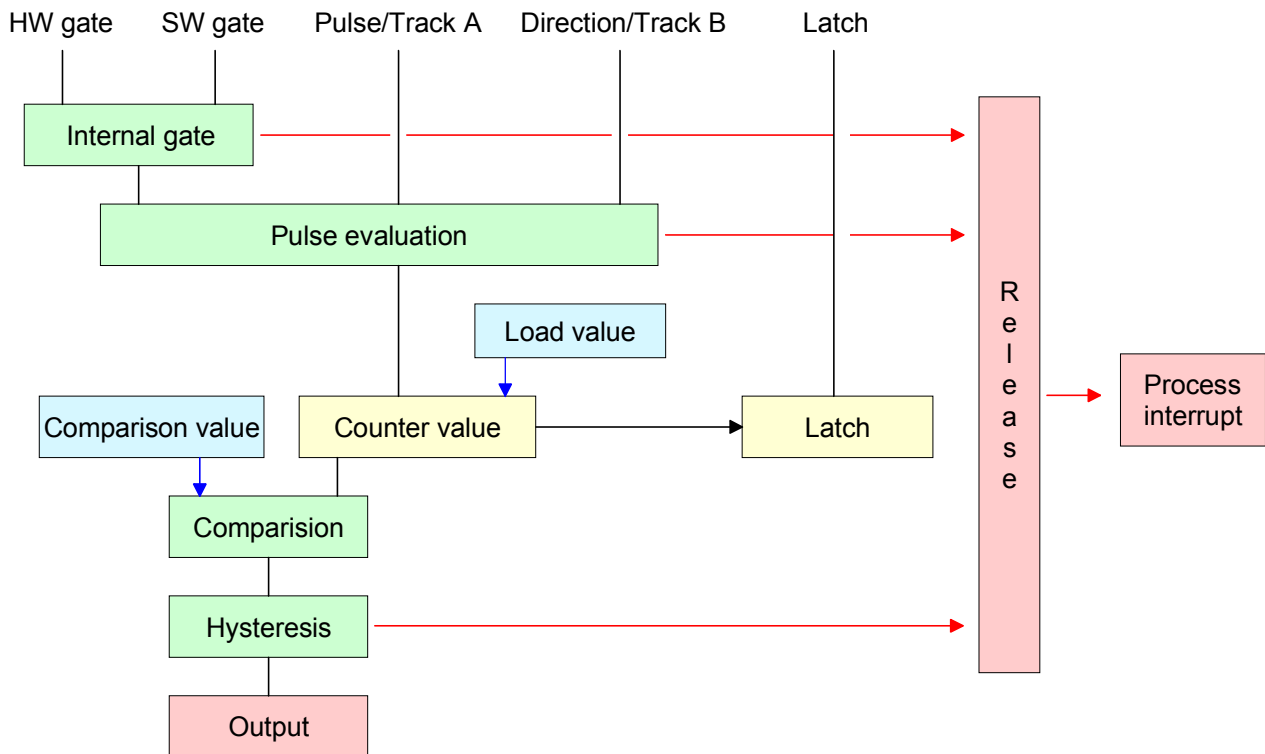
Overview

The following additional functions may be set via the parameterization for every counter:

- Gate function
The gate function serves the start, stop and interrupt of a count function.
- Latch function
A positive edge at the digital input "Latch" stores the recent counter value in the latch register.
- Comparison
You may set a comparison value that activates res. de-activates a digital output res. releases a process interrupt depending on the counter value.
- Hysteresis
The setting of a hysteresis avoids for example a high output toggling when the value of an encoder signal shifts around a comparison value.

Schematic structure

The illustration shows how the additional functions influence the counting behavior. The following pages describe these functions in detail:



Gate function

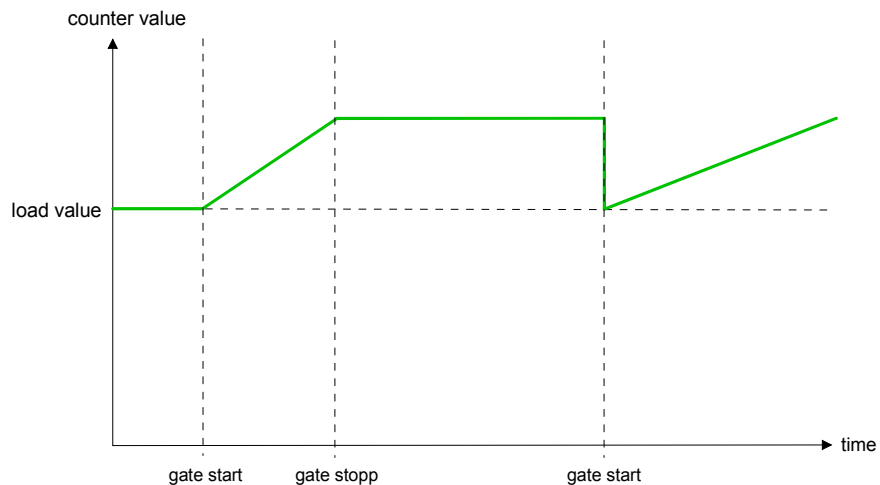
The activation res. de-activation of a counter happens via an internal gate (I-gate). The I-gate consists of a software gate (SW-gate) and a Hardware gate (HW-gate). The SW-gate is opened (activated) via your user application by setting the output status bit 2 for the according counter. The SW-gate is closed (deactivated) by setting the output status bit 10. The HW-gate is controlled via the concerning "Gate" input. The parameterization allows you to de-activate the consideration of the HW-gate so that the counter activation can take place only via the SW-gate. The following states influence the I-gate:

SW-gate	HW-gate	influences I-gate
0	with positive edge	0
1	with positive edge	1
with positive edge	1	1
with positive edge	0	0
with positive edge	de-activated	1

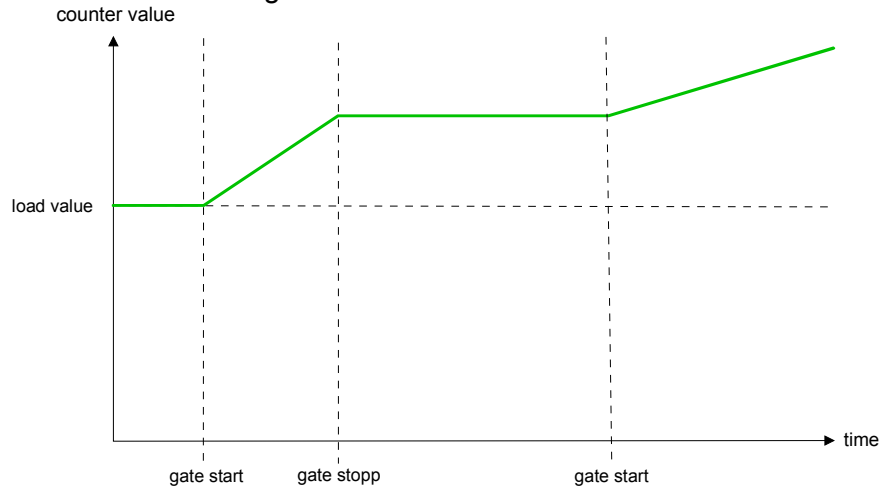
Gate function abort and interrupt

The parameterization defines if the gate interrupts or aborts the counter process.

- At *abort function* the counter starts counting with the load value after gate restart.



- At *interrupt function*, the counter starts counting with the last recent counter value after gate restart.



Gate control
abort,
interruption

Gate control via SW gate, aborting
(Parameterization: record set 0, Byte 0, Bit 7 ... 3 = 00000b)

SW gate	HW gate	Reaction Counter
positive edge	de-activated	Restart with load value

Gate control via SW gate, interrupting
(Parameterization: record set 0, Byte 0, Bit 7 ... 3 = 10000b)

SW gate	HW gate	Reaction Counter
positive edge	de-activated	Continue

Gate control via SW/HW gate, aborting
(Parameterization: record set 0, Byte 0, Bit 7 ... 3 = 00001b)

SW gate	HW gate	Reaction Counter
positive edge	1	Continue
1	positive edge	Restart with load value

Gate control via SW/HW gate, interrupting
(Parameterization: record set 0, Byte 0, Bit 7 ... 3 = 10001b)

SW gate	HW gate	Reaction Counter
positive edge	1	Continue
1	positive edge	Continue

Gate control
"Count once"

Gate control via SW/HW gate, operating mode "Count once"
If the internal gate has been closed automatically it may only be opened again under the following conditions:

SW gate	HW gate	Reaction I gate
1	positive edge	1
positive edge (after positive edge at HW gate)	positive edge	1

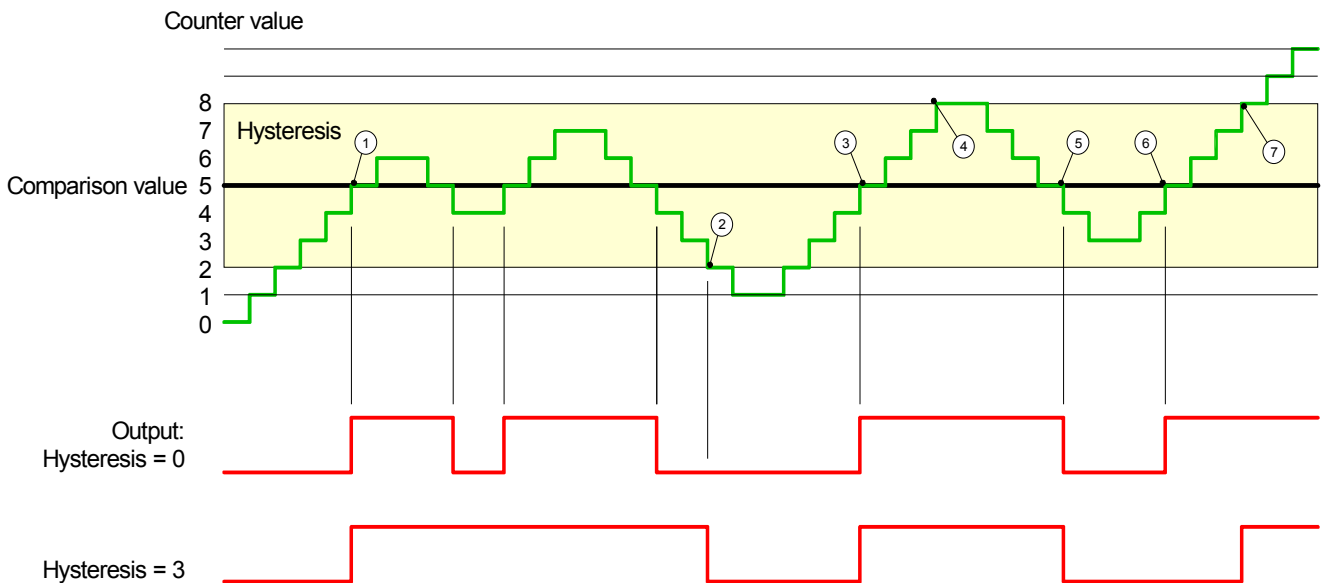
- Latch function** As soon as during a count process a positive edge is recognized at the "Latch" input of a counter, the recent counter value is stored in the according latch register.
- You may access the latch register via the "input image". For this set Bit 15 of the output status word.
- At a new latch value additionally Bit 13 is set in the input status word. By setting Bit 15 in the output status word you may read the recent latch value of the according counter and reset the Bit 13 of the input status word.
- Comparison** You pre-define the behavior of the counter output via the parameterization:
- output never switches
 - output switch when counter value \geq comparison value
 - output switch when counter value \leq comparison value
 - output switch at comparison value
- Output never switches*
- The output is set as normal output.
- Output switch when counter value \geq comparison value*
- The output remains set as long as the counter value is higher or equal comparison value.
- Output switch when counter value \leq comparison value*
- The output remains set as long as the counter value is lower or equal comparison value.
- Pulse at comparison value*
- When the counter reaches the comparison value the output is set for the parameterized pulse duration.
- If the pulse duration = 0 the output is set until the comparison condition is no longer met.
- When you've set a main counting direction the output is only set at reaching the comparison value from the main counting direction.
- Pulse duration*
- The pulse duration defines how long the output is set.
it may be preset in steps of 2.048ms between 0 and 522.24ms.
- The pulse duration starts with the setting of the according digital output.
The inaccuracy of the pulse duration is less than 2.048ms.
- There is no past triggering of the pulse duration when the comparison value has been left and reached again during pulse output.

Hysteresis

The hysteresis serves e.g. the avoidance of many toggle processes of the output and the interrupt, if the counter value is in the range of the comparison value. You may set a range of 0 to 255. The settings 0 and 1 deactivate the hysteresis. The hysteresis influences the zero run, over- and underflow.

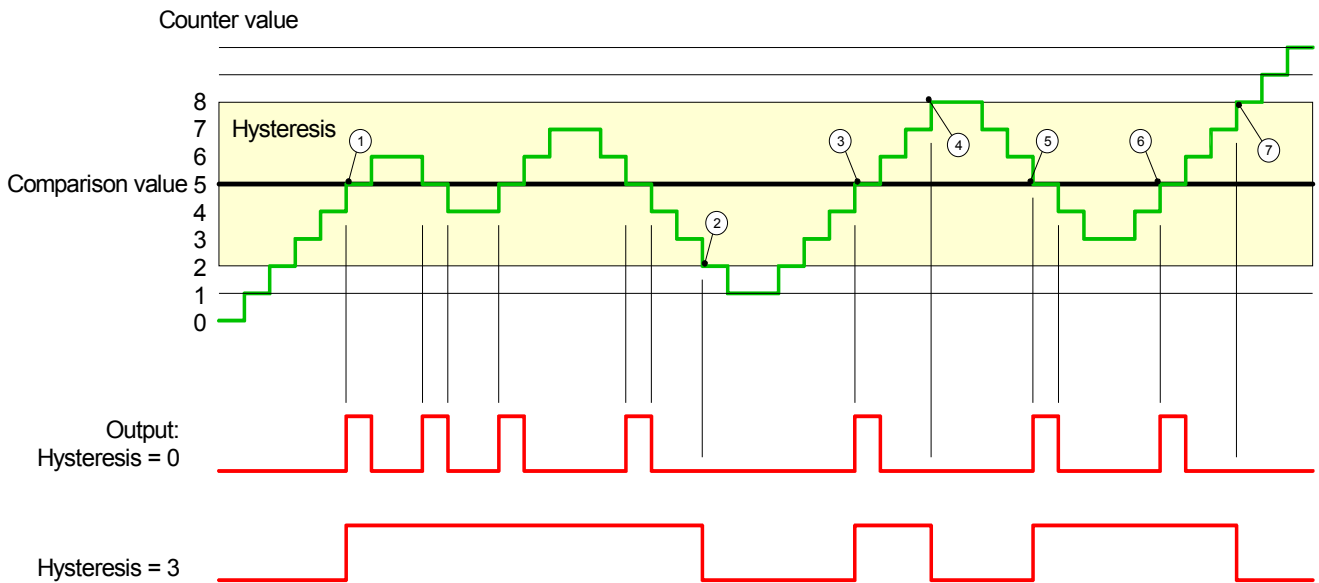
An activated hysteresis remains active after a change. The new hysteresis range is taken over at the next reach of the comparison value.

The following pictures illustrate the output behavior for hysteresis 0 and hysteresis 3 for the according conditions:

Effect at counter value \geq comparison value

- ① Counter value \geq comparison value \rightarrow output is set and hysteresis activated
- ② Leave hysteresis range \rightarrow output is reset
- ③ Counter value \geq comparison value \rightarrow output is set and hysteresis activated
- ④ Leave hysteresis range, output remains set for counter value \geq comparison value
- ⑤ Counter value $<$ comparison value and hysteresis active \rightarrow output is reset
- ⑥ Counter value \geq comparison value \rightarrow output is not set for hysteresis active
- ⑦ Leave hysteresis range, output remains set for counter value \geq comparison value

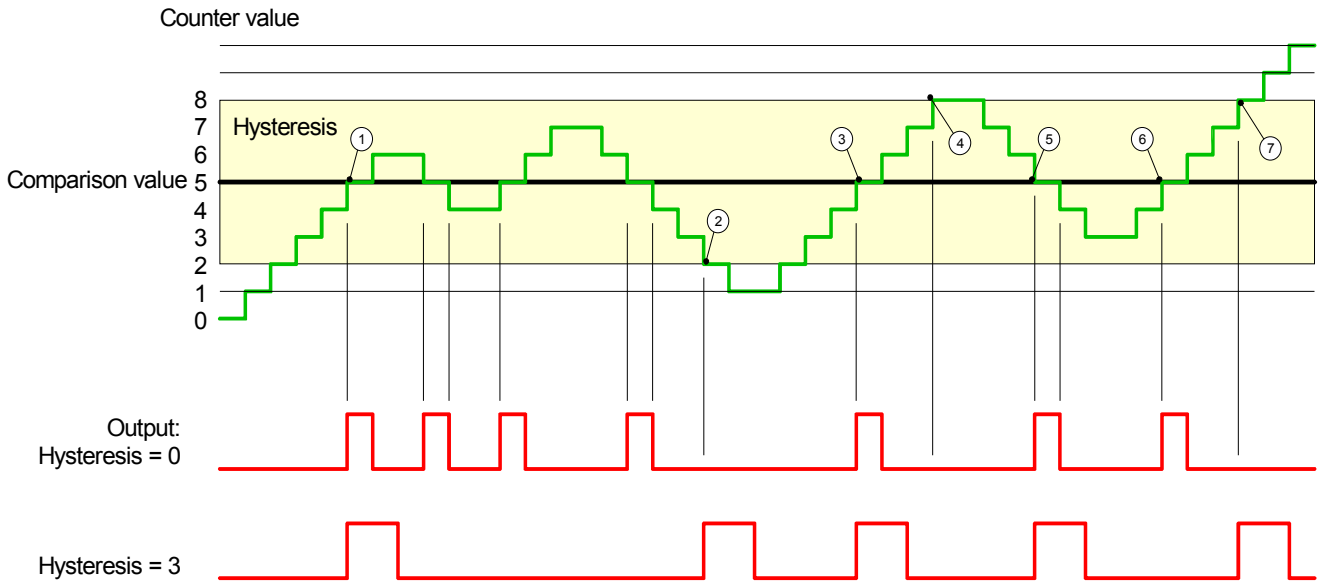
With reaching the comparison condition the hysteresis gets active. At active hysteresis the comparison result remains unchanged until the counter value leaves the set hysteresis range. After leaving the hysteresis range a new hysteresis is only activated with again reaching the comparison conditions.

Effect at pulse at comparison value with pulse duration Zero

- ① Counter value = comparison value → output is set and hysteresis activated
- ② Leave hysteresis range → output is reset and counter value < comparison value
- ③ Counter value = comparison value → output is set and hysteresis activated
- ④ Output is reset for leaving hysteresis range and counter value > comparison value
- ⑤ Counter value = comparison value → output is set and hysteresis activated
- ⑥ Counter value = comparison value and hysteresis active → output remains set
- ⑦ Leave hysteresis range and counter value > comparison value → output is reset

With reaching the comparison condition the hysteresis gets active. At active hysteresis the comparison result remains unchanged until the counter value leaves the set hysteresis range. After leaving the hysteresis range a new hysteresis is only activated with again reaching the comparison conditions.

Effect at pulse at comparison value with pulse duration not zero



- ① Counter value = comparison value → pulse of the parameterized duration is put out, the hysteresis is activated and the counting direction stored
- ② Leaving the hysteresis range contrary to the stored counting direction → pulse of the parameterized duration is put out, the hysteresis is de-activated
- ③ Counter value = comparison value → pulse of the parameterized duration is put out, the hysteresis is activated and the counting direction stored
- ④ Leaving the hysteresis range without changing counting direction → hysteresis is de-activated
- ⑤ Counter value = comparison value → pulse of the parameterized duration is put out, the hysteresis is activated and the counting direction stored
- ⑥ Counter value = comparison value and hysteresis active → no pulse
- ⑦ Leaving the hysteresis range contrary to the stored counting direction → pulse of the parameterized duration is put out, the hysteresis is de-activated

With reaching the comparison condition the hysteresis gets active and a pulse of the parameterized duration is put out. As long as the counter value is within the hysteresis range, no other pulse is put out. With activating the hysteresis the counting direction is stored in the CPU. If the counter value leaves the hysteresis range contrary to the stored counting direction, a pulse of the parameterized duration is put out. Leaving the hysteresis range without direction change, no pulse is put out.

Counter - Diagnostic and interrupt

Outline

The parameterization allows you to define the following trigger for a process interrupt that may initialize a diagnostic interrupt:

- Status changes at an input
- Status changes at the HW-gate
- Over- res. underflow
- Reaching a comparison value

Process interrupt

A process interrupt causes a call of the OB 40. Within the OB 40 you may find the logical basic address of the module that initialized the process interrupt by using the *Local word 6*. More detailed information about the initializing event is to find in the *local double word 8*.

Local double word 8
of the OB 40

The *local double word 8* of the OB 40 has the following structure:

Local byte	Bit 7 ... 0
8	Bit 0: Edge at I+0.0 Bit 1: Edge at I+0.1 Bit 2: Edge at I+0.2 Bit 3: Edge at I+0.3 Bit 4: Edge at I+0.4 Bit 5: Edge at I+0.5 Bit 6: Edge at I+0.6 Bit 7: Edge at I+0.7
9	Bit 0: Edge at I+1.0 Bit 1: Edge at I+1.1 Bit 2: Edge at I+1.2 Bit 3: Edge at I+1.3 Bit 4: Edge at I+1.4 Bit 5: Edge at I+1.5 Bit 6: Edge at I+1.6 Bit 7: Edge at I+1.7
10	Bit 0: Gate counter 0 open (activated) Bit 1: Gate counter 0 closed Bit 2: Over-/underflow/end value counter 0 Bit 3: Counter 0 reached comparison value Bit 4: Gate counter 1 open (activated) Bit 5: Gate counter 1 closed Bit 6: Over-/underflow/ end value counter 1 Bit 7: Counter 1 reached comparison value
11	Bit 0: Gate counter 2 open (activated) Bit 1: Gate counter 2 closed Bit 2: Over-/underflow/end value counter 2 Bit 3: Counter 2 reached comparison value Bit 4: Gate counter 3 open (activated) Bit 5: Gate counter 3 closed Bit 6: Over-/underflow/end value counter 3 Bit 7: Counter 3 reached comparison value

Diagnostic interrupt

Via the parameterization (record set 7Fh) you may activate a global diagnostic interrupt for the analog and digital part.

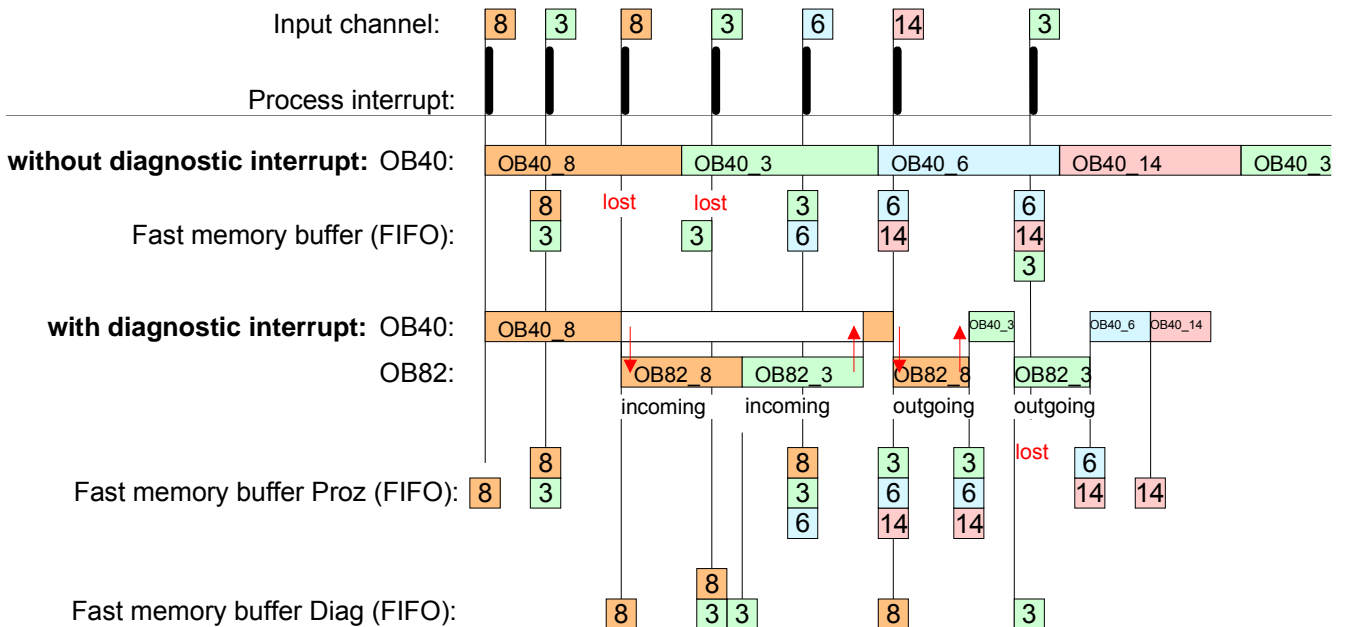
A diagnostic interrupt occurs when during a process interrupt execution in OB 40 another process interrupt is thrown for the same event. The initialization of a diagnostic interrupt interrupts the recent process interrupt execution in OB 40 and branches in OB 82 to diagnostic interrupt processing_{incoming}. If during the diagnostic interrupt processing other events are occurring at other channels that may also cause a process res. diagnostic interrupt, these are interim stored.

After the end of the diagnostic interrupt processing at first all interim stored diagnostic interrupts are processed in the sequence of their occurrence and then all process interrupts.

If a channel where currently a diagnostic interrupt_{incoming} is processed res. interim stored initializes further process interrupts, these get lost. When a process interrupt for which a diagnostic interrupt_{incoming} has been released is ready, the diagnostic interrupt processing is called again as diagnostic interrupt_{going}.

All events of a channel between diagnostic interrupt_{incoming} and diagnostic interrupt_{going} are not stored and get lost. Within this time window (1st diagnostic interrupt_{incoming} until last diagnostic interrupt_{going}) the SF-LED of the CPU is on. Additionally for every diagnostic interrupt_{incoming/going} an entry in the diagnostic buffer of the CPU occurs.

Example



Diagnostic interrupt processing

Every OB 82 call causes an entry in the diagnostic buffer of the CPU containing error cause and module address.

By using the SFC 59 you may read the diagnostic bytes.

At de-activated diagnostic interrupt you have access to the last recent diagnostic event.

If you've activated the diagnostic function in your hardware configuration, the contents of record set 0 are already in the local double word 8 when calling the OB 82. The SFC 59 allows you to also read the record set 1 that contains additional information.

After leaving the OB 82 a clear assignment of the data to the last diagnostic interrupt is not longer possible.

The record sets of the diagnostic range have the following structure:

Record set 0
Diagnostic_{incoming}

Byte	Bit 7 ... 0
0	Bit 0: set at module failure Bit 1: 0 (fix) Bit 2: set at external error Bit 3: set at channel error Bit 4: set when external auxiliary supply is missing Bit 7 ... 5: 0 (fix)
1	Bit 3 ... 0: Module class 0101b: Analog 1111b: Digital Bit 4: Channel information present Bit 7 ... 5: 0 (fix)
2	Bit 3 ... 0: 0 (fix) Bit 4: Failure module internal supply voltage (output overload) Bit 7 ... 5: 0 (fix)
3	Bit 5 ... 0: 0 (fix) Bit 6: Process interrupt lost Bit 7: 0 (fix)

Record set 0
Diagnostic_{going}

After the removing error a diagnostic message_{going} takes place if the diagnostic interrupt release is still active.

Byte	Bit 7 ... 0
0	Bit 0: set at module failure Bit 1: 0 (fix) Bit 2: set at external error Bit 3: set at channel error Bit 4: set when external auxiliary supply is missing Bit 7 ... 5: 0 (fix)
1	Bit 3 ... 0: Module class 0101b: Analog module 1111b: Digital Bit 4: Channel information present Bit 7 ... 5: 0 (fix)
2	00h (fix)
3	00h (fix)

Diagnostic
Record set 1
(Byte 0 ... 15)

The record set 1 contains the 4byte of the record set 0 and additionally 12byte module specific diagnostic data.

The diagnostic bytes have the following assignment:

Byte	Bit 7 ... 0
0 ... 3	Contents record set 0 (see page before)
4	Bit 6 ... 0: channel type (here 70h) 70h: Digital input 71h: Analog input 72h: Digital output 73h: Analog output 74h: Analog in-/output Bit 7: More channel types present 0: no 1: yes
5	Number of diagnostic bits per channel (here 08h)
6	Number of channels of a module (here 08h)
7	Bit 0: Error in channel group 0 (I+0.0 ... I+0.3) Bit 1: Error in channel group 1 (I+0.4 ... I+0.7) Bit 2: Error in channel group 2 (I+1.0 ... I+1.3) Bit 3: Error in channel group 3 (I+1.4 ... I+1.7) Bit 4: Error in channel group 4 (Counter 0) Bit 5: Error in channel group 5 (Counter 1) Bit 6: Error in channel group 6 (Counter 2) Bit 7: Error in channel group 7 (Counter 3)
8	Diagnostic interrupt due to process interrupt lost at... Bit 0: ... input I+0.0 Bit 1: 0 (fix) Bit 2: ... input I+0.1 Bit 3: 0 (fix) Bit 4: ... input I+0.2 Bit 5: 0 (fix) Bit 6: ... input I+0.3 Bit 7: 0 (fix)
9	Diagnostic interrupt due to process interrupt lost at... Bit 0: ... input I+0.4 Bit 1: 0 (fix) Bit 2: ... input I+0.5 Bit 3: 0 (fix) Bit 4: ... input I+0.6 Bit 5: 0 (fix) Bit 6: ... input I+0.7 Bit 7: 0 (fix)
10	Diagnostic interrupt due to process interrupt lost at... Bit 0: ... input I+1.0 Bit 1: 0 (fix) Bit 2: ... input I+1.1 Bit 3: 0 (fix) Bit 4: ... input I+1.2 Bit 5: 0 (fix) Bit 6: ... input I+1.3 Bit 7: 0 (fix)

continued ...

... continue Record set 1

Byte	Bit 7 ... 0
11	Diagnostic interrupt due to process interrupt lost at... Bit 0: ... input I+1.4 Bit 1: 0 (fix) Bit 2: ... input I+1.5 Bit 3: 0 (fix) Bit 4: ... input I+1.6 Bit 5: 0 (fix) Bit 6: ... input I+1.7 Bit 7: 0 (fix)
12	Diagnostic interrupt due to process interrupt lost at... Bit 0: ... Gate Counter 0 closed Bit 1: 0 (fix) Bit 2: ... Gate Counter 0 open Bit 3: 0 (fix) Bit 4: ... Over-/underflow/end value Counter 0 Bit 5: 0 (fix) Bit 6: ... Counter 0 reached comparison value Bit 7: 0 (fix)
13	Diagnostic interrupt due to process interrupt lost at... Bit 0: ... Gate Counter 1 closed Bit 1: 0 (fix) Bit 2: ... Gate Counter 1 open Bit 3: 0 (fix) Bit 4: ... Over-/underflow/end value Counter 1 Bit 5: 0 (fix) Bit 6: ... Counter 1 reached comparison value Bit 7: 0 (fix)
14	Diagnostic interrupt due to process interrupt lost at... Bit 0: ... Gate Counter 2 closed Bit 1: 0 (fix) Bit 2: ... Gate Counter 2 open Bit 3: 0 (fix) Bit 4: ... Over-/underflow/end value Counter 2 Bit 5: 0 (fix) Bit 6: ... Counter 2 reached comparison value Bit 7: 0 (fix)
15	Diagnostic interrupt due to process interrupt lost at... Bit 0: ... Gate Counter 3 closed Bit 1: 0 (fix) Bit 2: ... Gate Counter 3 open Bit 3: 0 (fix) Bit 4: ... Over-/underflow/end value Counter 3 Bit 5: 0 (fix) Bit 6: ... Counter 3 reached comparison value Bit 7: 0 (fix)

Chapter 6 Deployment PtP communication

Overview Content of this chapter is the employment of the RS485 slot for serial PtP communication.
 Here you'll find all information about the protocols, the activation and project engineering of the interface which are necessary for the serial communication using the RS485 interface.

Content	Topic	Page
	Chapter 6 Deployment PtP communication.....	6-1
	Fast introduction.....	6-2
	Principle of the data transfer.....	6-3
	Deployment of RS485 interface for PtP	6-4
	Parameterization	6-7
	Communication	6-10
	Protocols and procedures.....	6-16
	Modbus - Function codes	6-20
	Modbus - Example communication.....	6-24

Fast introduction

General Via a hardware configuration you may de-activate the PROFIBUS part integrated to the SPEED7 CPU and thus release the RS485 interface for PtP (point-to-point) communication.
The RS485 interface supports in PtP operation the serial process connection to different source res. destination systems.

Protocols The protocols res. procedures ASCII, STX/ETX, 3964R, USS and Modbus are supported.

Switch of RS485 for ptp operation Per default, every CPU uses the RS485 interface for PROFIBUS communication. A hardware configuration allows you to switch the RS485 interface to point-to-point operation using *Object properties* and the parameter "Function RS485".

Parameterization The parameterization of the serial interface happens during runtime using the SFC 216 (SER_CFG). For this you have to store the parameters in a DB for all protocols except ASCII.

Communication The SFCs are controlling the communication. Send takes place via SFC 217 (SER_SND) and receive via SFC 218 (SER_RCV).
The repeated call of the SFC 217 SER_SND delivers a return value for 3964R, USS and Modbus via RetVal that contains, among other things, recent information about the acknowledgement of the partner station.
The protocols USS and Modbus allow to evaluate the receipt telegram by calling the SFC 218 SER_RCV after SER_SND.
The SFCs are included in the consignment of the CPU.

Overview SFCs for serial communication

The following SFCs are used for the serial communication:

SFC		Description
SFC 216	SER_CFG	RS485 parameterize
SFC 217	SER_SND	RS485 send
SFC 218	SER_RCV	RS485 receive

Principle of the data transfer

Overview The data transfer is handled during runtime by using SFCs. The principle of data transfer is the same for all protocols and is shortly illustrated in the following.

Principle Data, which are written into the according data channel by the PLC, is stored in a FIFO send buffer (first in first out) with a size of 2x1024byte and then put out via the interface.

When the interface receives data, this is stored in a FIFO receive buffer with a size of 2x1024byte and can there be read by the PLC.

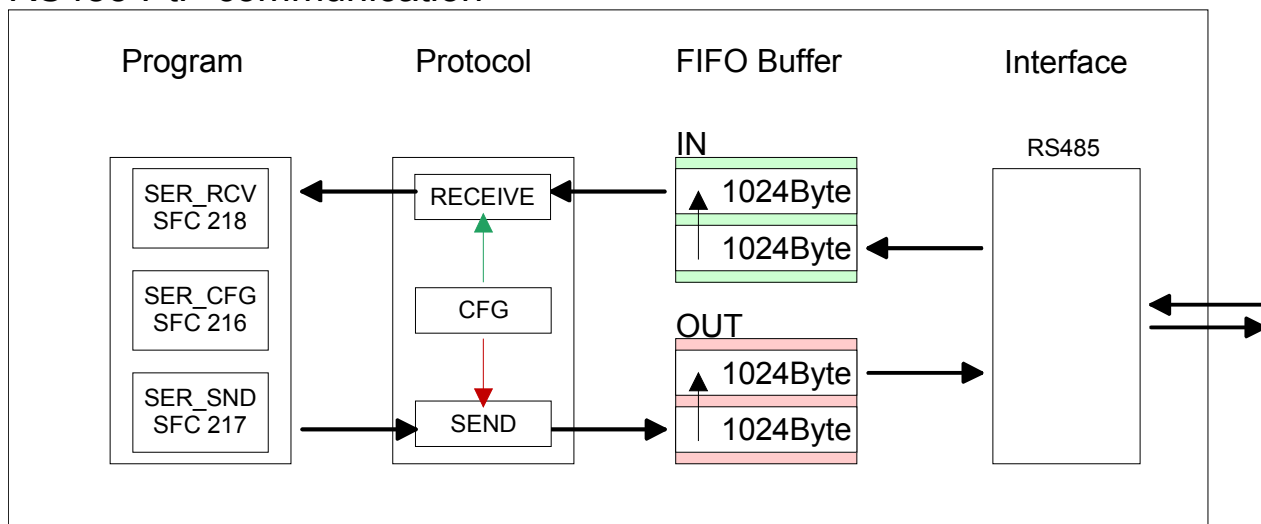
If the data is transferred via a protocol, the adoption of the data to the according protocol happens automatically.

In opposite to ASCII and STX/ETX, the protocols 3964R, USS and Modbus require the acknowledgement of the partner.

An additional call of the SFC 217 SER_SND causes a return value in RetVal that includes among others recent information about the acknowledgement of the partner.

Further on for USS and Modbus after a SER_SND the acknowledgement telegram must be evaluated by call of the SFC 218 SER_RCV.

RS485 PtP communication



Deployment of RS485 interface for PtP

Switch to PtP operation

Per default, the RS485 interface X3 of the CPU is used for the PROFIBUS DP master. Via hardware configuration the RS485 interfaces may be switched to point-to-point communication via the Parameter *Function RS485 X3* of the *Properties*.

For this a hardware configuration of the CPU is required, which is described below.

Requirements

Since the VIPA specific CPU parameters may be set, the installation of the SPEEDBUS.GSD from VIPA in the hardware catalog is necessary.

The CPU may be configured in a PROFIBUS master system and the appropriate parameters may be set after installation.

Installation of the SPEEDBUS.GSD

The GSD (**G**eräte-**S**tamm-**D**atei) is online available in the following language versions. Further language versions are available on inquiries.

Name	Language
SPEEDBUS.GSD	german (default)
SPEEDBUS.GSG	german
SPEEDBUS.GSE	english

The GSD files may be found at www.vipa.com at the "Service" part.

The integration of the SPEEDBUS.GSD takes place with the following proceeding:

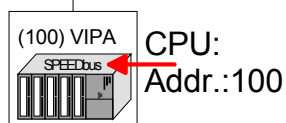
- Browse to www.vipa.com.
- Click to *Service > Download > GSD- and EDS-Files > Profibus*.
- Download the file *Cx000023_Vxxx*.
- Extract the file to your work directory. The SPEEDBUS.GSD is stored in the directory *VIPA_System_300S*.
- Start the hardware configurator from Siemens.
- Close every project.
- Select **Options > Install new GSD-file**.
- Navigate to the directory *VIPA_System_300S* and select **SPEEDBUS.GSD**.

The SPEED7 CPUs and modules of the System 300S from VIPA may now be found in the hardware catalog at *Profibus-DP / Additional field devices / I/O / VIPA_SPEEDBUS*.

Proceeding The embedding of the CPU 314-6CF03 happens by means of a virtual PROFIBUS master system with the following approach:

Slot	Module
1	
2	
X...	CPU ...
3	
...	
always as last module 342-5DA02 V5.0	

virtual DP master for CPU



VIPA SPEEDbus	
Slot	Order No.
0	314-6CF03 ...

Object properties

- Perform a hardware configuration for the CPU (see "Hardware configuration - CPU").
- Configure always as last module a Siemens DP master CP 342-5 (342-5DA02 V5.0). Connect and parameterize it at operation mode "DP-Master".
- Connect the slave system "VIPA_SPEEDbus". After installing the SPEEDBUS.GSD this may be found in the hardware catalog at *Profibus-DP / Additional field devices / I/O / VIPA / VIPA_SPEEDBUS*.
- For the slave system set the PROFIBUS address 100.
- Configure at slot 0 the VIPA CPU 314-6CF03 of the hardware catalog from VIPA_SPEEDbus.
- By double clicking the placed CPU 314-6CF03 the properties dialog of the CPU may be opened.

As soon as the project is transferred together with the PLC user program to the CPU, the parameters will be taken after start-up.

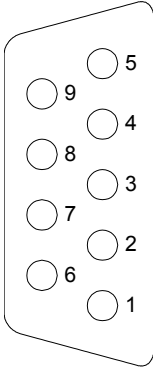
Setting PtP parameters

- By double clicking the CPU 314-6CF03 placed in the slave system the properties dialog of the CPU may be opened.
- Switch the Parameter *Function RS485 X3* to "PtP".

Properties RS485

- Logical states represented by voltage differences between the two cores of a twisted pair cable
- Serial bus connection in two-wire technology using half duplex mode
- Data communications up to a max. distance of 500m
- Data communication rate up to 115.2kbaud

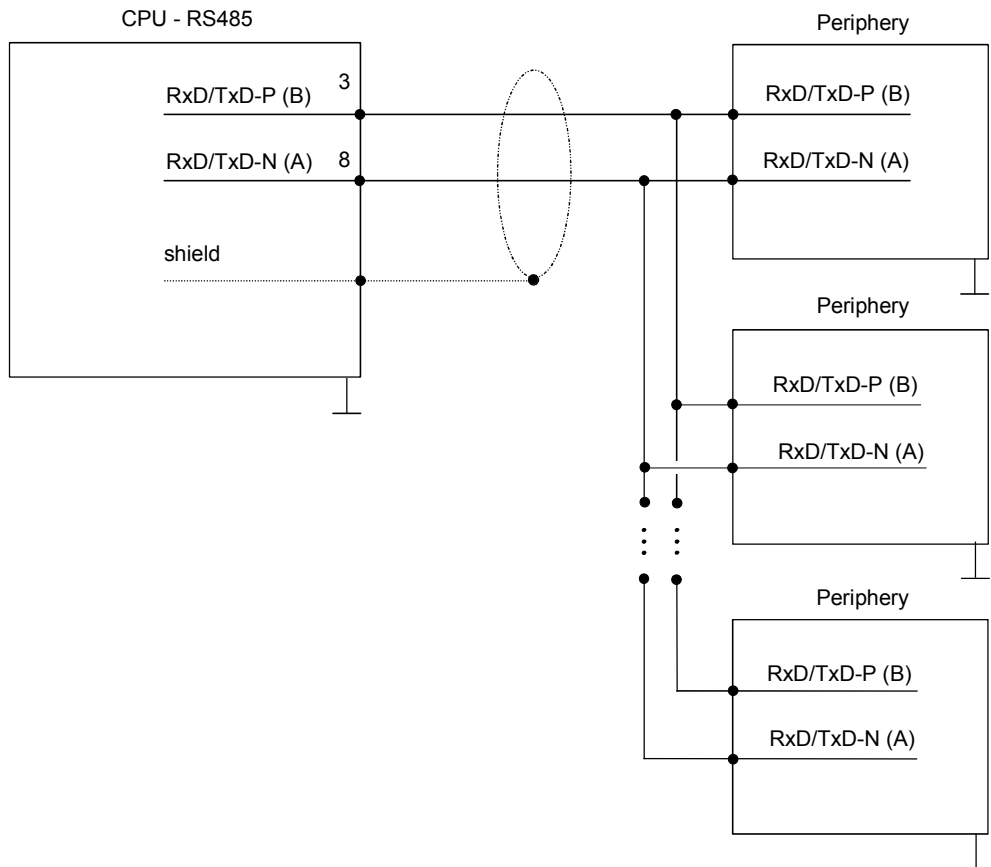
Connection RS485



9polige SubD-Buchse

Pin	RS485
1	n.c.
2	M24V
3	RxD/TxD-P (Line B)
4	RTS
5	M5V
6	P5V
7	P24V
8	RxD/TxD-N (Line A)
9	n.c.

Connection



Parameterization

SFC 216 (SER_CFG) The parameterization happens during runtime deploying the SFC 216 (SER_CFG). You have to store the parameters for STX/ETX, 3964R, USS and Modbus in a DB.

Name	Declaration	Type	Comment
Protocol	IN	BYTE	1=ASCII, 2=STX/ETX, 3=3964R
Parameter	IN	ANY	Pointer to protocol parameters
Baudrate	IN	BYTE	Velocity of data transfer
CharLen	IN	BYTE	0=5bit, 1=6bit, 2=7bit, 3=8bit
Parity	IN	BYTE	0=None, 1=Odd, 2=Even
StopBits	IN	BYTE	1=1bit, 2=1.5bit, 3=2bit
FlowControl	IN	BYTE	1 (fix)
RetVal	OUT	WORD	Error Code (0 = OK)

Parameter description

All time settings for timeouts must be set as hexadecimal value. Find the Hex value by multiply the wanted time in seconds with the baudrate.

Example: Wanted time 8ms at a baudrate of 19200baud

Calculation: $19200\text{bit/s} \times 0.008\text{s} \approx 154\text{bit} \rightarrow (9\text{Ah})$

Hex value is 9Ah.

Protocol

Here you fix the protocol to be used. You may choose between:

- 1: ASCII
- 2: STX/ETX
- 3: 3964R
- 4: USS Master
- 5: Modbus RTU Master
- 6: Modbus ASCII Master

Parameter (as DB) At ASCII protocol, this parameter is ignored.
At STX/ETX, 3964R, USS and Modbus you fix here a DB that contains the communication parameters and has the following structure for the according protocols:

Data block at STX/ETX

DBB0:	STX1	BYTE	(1. Start-ID in hexadecimal)
DBB1:	STX2	BYTE	(2. Start-ID in hexadecimal)
DBB2:	ETX1	BYTE	(1. End-ID in hexadecimal)
DBB3:	ETX2	BYTE	(2. End-ID in hexadecimal)
DBW4:	TIMEOUT	WORD	(max. delay time between 2 telegrams)



Note!

The start res. end sign should always be a value <20, otherwise the sign is ignored!

Data block at 3964R

DBB0:	Prio	BYTE	(The priority of both partners must be different)
DBB1:	ConnAtmptNr	BYTE	(Number of connection trials)
DBB2:	SendAtmptNr	BYTE	(Number of telegram retries)
DBW4:	CharTimeout	WORD	(Character delay time)
DBW6:	ConfTimeout	WORD	(Acknowledgement delay time)

Data block at USS

DBW0:	Timeout	WORD	(Delay time in)
-------	---------	------	-----------------

Data block at Modbus-Master

DBW0:	Timeout	WORD	(Respond delay time)
-------	---------	------	----------------------

Baud rate

Velocity of data transfer in bit/s (baud).

04h:	1200baud	05h:	1800baud	06h:	2400baud	07h:	4800baud
08h:	7200baud	09h:	9600baud	0Ah:	14400baud	0Bh:	19200baud
0Ch:	38400baud	0Dh:	57600baud	0Eh:	115200baud		

CharLen

Number of data bits where a character is mapped to.

0:	5bit	1:	6bit	2:	7bit	3:	8bit
----	------	----	------	----	------	----	------

Parity The parity is -depending on the value- even or odd. For parity control, the information bits are extended with the parity bit that amends via its value ("0" or "1") the value of all bits to a defined status. If no parity is set, the parity bit is set to "1", but not evaluated.
 0: NONE 1: ODD 2: EVEN

StopBits The stop bits are set at the end of each transferred character and mark the end of a character.
 1: 1bit 2: 1.5bit 3: 2bit

FlowControl The parameter FlowControl is ignored. When sending RTS=1, when receiving RTS=0.

RetVal SFC 216 (Error message SER_CFG) Return values sent by the block:

Error code	Description
0000h	no error
809Ah	Interface is not available or interface is used for PROFIBUS
8x24h	Error at SFC-Parameter x, with x: 1: Error at "Protocol" 2: Error at "Parameter" 3: Error at "Baudrate" 4: Error at "CharLength" 5: Error at "Parity" 6: Error at "StopBits" 7: Error at "FlowControl"
809xh	Error in SFC parameter value x, where x: 1: Error at "Protocol" 3: Error at "Baudrate" 4: Error at "CharLength" 5: Error at "Parity" 6: Error at "StopBits" 7: Error at "FlowControl"
8092h	Access error in parameter DB (DB too short)
828xh	Error in parameter x of DB parameter, where x: 1: Error 1. parameter 2: Error 2. parameter ...

Communication

Overview The communication happens via the send and receive blocks SFC 217 (SER_SND) and SFC 218 (SER_RCV).
The SFCs are included in the consignment of the CPU.

SFC 217 (SER_SND)

This block sends data via the serial interface.

The repeated call of the SFC 217 SER_SND delivers a return value for 3964R, USS and Modbus via RetVal that contains, among other things, recent information about the acknowledgement of the partner station.

The protocols USS and Modbus require to evaluate the receipt telegram by calling the SFC 218 SER_RCV after SER_SND.

Parameter

Name	Declaration	Type	Comment
DataPtr	IN	ANY	Pointer to Data Buffer for sending data
DataLen	OUT	WORD	Length of data sent
RetVal	OUT	WORD	Error Code (0 = OK)

DataPtr Here you define a range of the type Pointer for the send buffer where the data that has to be sent is stored. You have to set type, start and length.

Example: Data is stored in DB5 starting at 0.0 with a length of 124byte.

DataPtr:=P#DB5.DBX0.0 BYTE 124

DataLen

Word where the number of the sent bytes is stored.

At **ASCII** if data were sent by means of SFC 217 faster to the serial interface than the interface sends, the length of data to send could differ from the *DataLen* due to a buffer overflow. This should be considered by the user program.

With **STX/ETX**, **3964R**, **Modbus** and **USS** always the length set in DataPtr is stored or 0.

**RetVal SFC 217
(Error message
SER_SND)**

Return values of the block:

Error code	Description
0000h	Send data - ready
1000h	Nothing sent (data length 0)
20xxh	Protocol executed error free with xx bit pattern for diagnosis
7001h	Data is stored in internal buffer - active (busy)
7002h	Transfer - active
80xxh	Protocol executed with errors with xx bit pattern for diagnosis (no acknowledgement by partner)
90xxh	Protocol not executed with xx bit pattern for diagnosis (no acknowledgement by partner)
8x24h	Error in SFC parameter x, where x: 1: Error in "DataPtr" 2: Error in "DataLen"
8122h	Error in parameter "DataPtr" (e.g. DB too short)
807Fh	Internal error
809Ah	Interface not found or interface is used for PROFIBUS
809Bh	Interface not configured

Protocol specific
RetVal values

ASCII

Value	Description
9000h	Buffer overflow (no data send)
9002h	Data too short (0byte)

STX/ETX

Value	Description
9000h	Buffer overflow (no data send)
9001h	Data too long (>1024byte)
9002h	Data too short (0byte)
9004h	Character not allowed

3964R

Value	Description
2000h	Send ready without error
80FFh	NAK received - error in communication
80FEh	Data transfer without acknowledgement of partner or error at acknowledgement
9000h	Buffer overflow (no data send)
9001h	Data too long (>1024byte)
9002h	Data too short (0byte)

... Continue
RetVal SFC 217
SER_SND

USS

Error code	Description
2000h	Send ready without error
8080h	Receive buffer overflow (no space for receipt)
8090h	Acknowledgement delay time exceeded
80F0h	Wrong checksum in respond
80FEh	Wrong start sign in respond
80FFh	Wrong slave address in respond
9000h	Buffer overflow (no data send)
9001h	Data too long (>1024byte)
9002h	Data too short (<2byte)

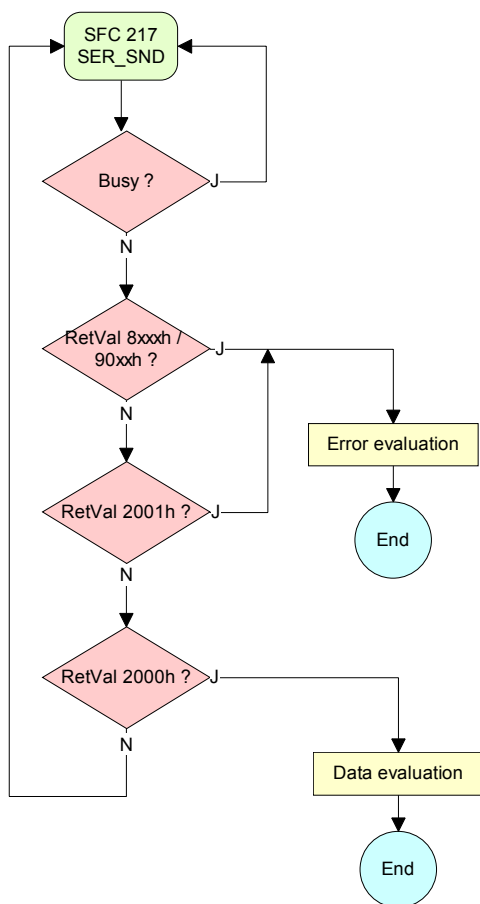
Modbus RTU/ASCII Master

Error code	Description
2000h	Send ready without error
2001h	Send ready with error
8080h	Receive buffer overflow (no space for receipt)
8090h	Acknowledgement delay time exceeded
80F0h	Wrong checksum in respond
80FDh	Length of respond too long
80FEh	Wrong function code in respond
80FFh	Wrong slave address in respond
9000h	Buffer overflow (no data send)
9001h	Data too long (>1024byte)
9002h	Data too short (<2byte)

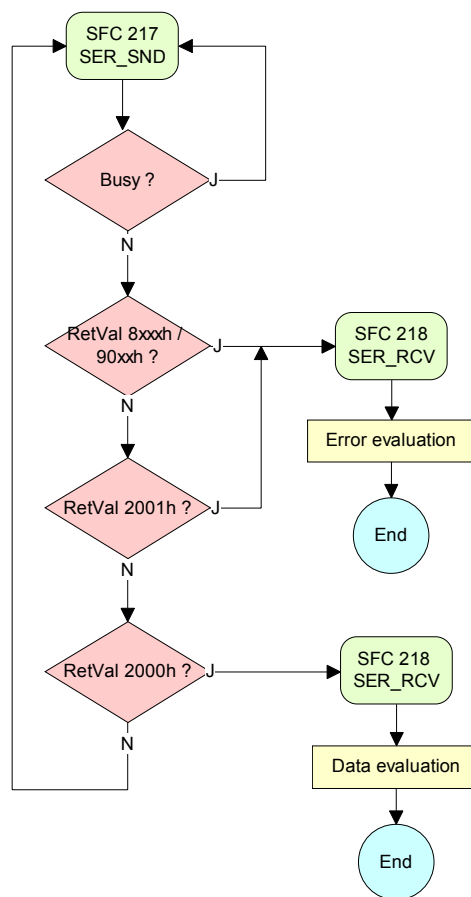
Principles of programming

The following text shortly illustrates the structure of programming a send command for the different protocols.

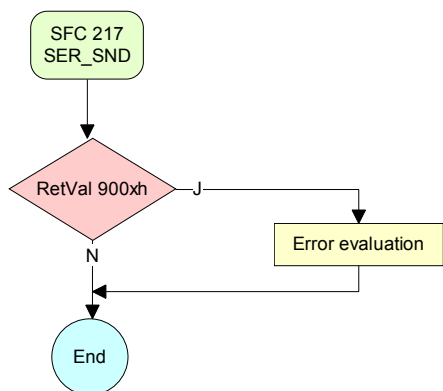
3964R



USS / Modbus



ASCII / STX/ETX



**SFC 218
(SER_RCV)**

This block receives data via the serial interface.
Using the SFC 218 SER_RCV after SER_SND with the protocols USS and Modbus the acknowledgement telegram can be read.

Parameter

Name	Declaration	Type	Comment
DataPtr	IN	ANY	Pointer to Data Buffer for received data
DataLen	OUT	WORD	Length of received data
Error	OUT	WORD	Error Number
RetVal	OUT	WORD	Error Code (0 = OK)

DataPtr

Here you set a range of the type Pointer for the receive buffer where the reception data is stored. You have to set type, start and length.
Example: Data is stored in DB5 starting at 0.0 with a length of 124byte.
DataPtr:=P#DB5.DBX0.0 BYTE 124

DataLen

Word where the number of received Bytes is stored.
At **STX/ETX** and **3964R**, the length of the received user data or 0 is entered.
At **ASCII**, the number of read characters is entered. This value may be different from the read telegram length.

Error

This word gets an entry in case of an error. The following error messages may be created depending on the protocol:

ASCII

Bit	Error	Description
0	overrun	Overflow, a sign couldn't be read fast enough from the interface
1	framing error	Error that shows that a defined bit frame is not coincident, exceeds the allowed length or contains an additional Bit sequence (Stopbit error)
2	parity	Parity error
3	overflow	Buffer is full

STX/ETX

Bit	Error	Description
0	overflow	The received telegram exceeds the size of the receive buffer.
1	char	A sign outside the range 20h...7Fh has been received.
3	overflow	Buffer is full

3964R / Modbus RTU/ASCII Master

Bit	Error	Description
0	overflow	The received telegram exceeds the size of the receive buffer.

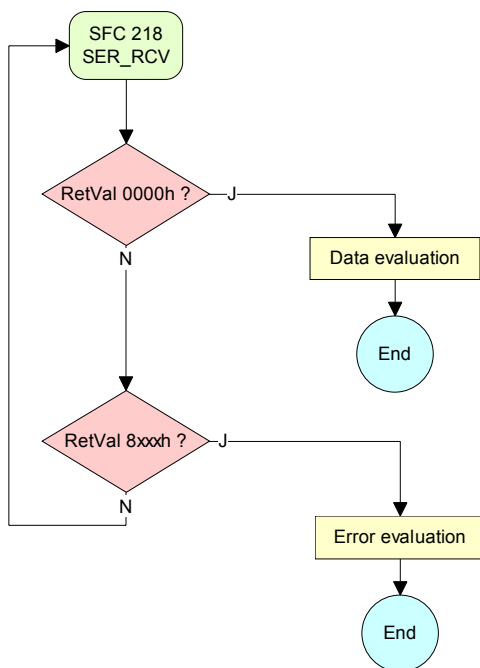
**RetVal SFC 218
(Error message
SER_RCV)**

Return values of the block:

Error code	Description
0000h	no error
1000h	Receive buffer too small (data loss)
8x24h	Error at SFC-Parameter x, with x: 1: Error at "DataPtr" 2: Error at "DataLen" 3: Error at "Error"
8122h	Error in parameter "DataPtr" (e.g. DB too short)
809Ah	Serial interface not found res. interface is used by PROFIBUS
809Bh	Serial interface not configured

**Principles of
programming**

The following picture shows the basic structure for programming a receive command. This structure can be used for all protocols.



Protocols and procedures

Overview

The CPU supports the following protocols and procedures:

- ASCII communication
- STX/ETX
- 3964R
- USS
- Modbus

ASCII

ASCII data communication is one of the simple forms of data exchange.

Incoming characters are transferred 1 to 1.

At ASCII, with every cycle the read-SFC is used to store the data that is in the buffer at request time in a parameterized receive data block. If a telegram is spread over various cycles, the data is overwritten. There is no reception acknowledgement. The communication procedure has to be controlled by the concerning user application. An according Receive_ASCII FB may be found within the VIPA library in the service area of www.vipa.com.

STX/ETX

STX/ETX is a simple protocol with start and end ID, where STX stands for **S**tart of **T**ext and ETX for **E**nd of **T**ext.

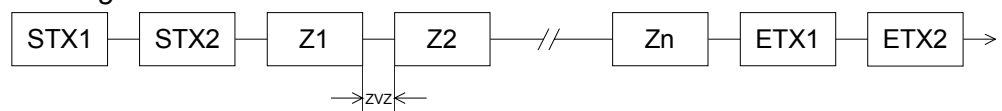
The STX/ETX procedure is suitable for the transfer of ASCII characters. It does not use block checks (BCC). Any data transferred from the periphery must be preceded by a Start followed by the data characters and the end character.

Depending of the byte width the following ASCII characters can be transferred: 5Bit: not allowed; 6Bit: 20...3Fh, 7Bit: 20...7Fh, 8Bit: 20...FFh.

The effective data, which includes all the characters between Start and End are transferred to the PLC when the End has been received.

When data is send from the PLC to a peripheral device, any user data is handed to the SFC 217 (SER_SND) and is transferred with added Start- and End-ID to the communication partner.

Message structure:



You may define up to 2 Start- and End-IDs.

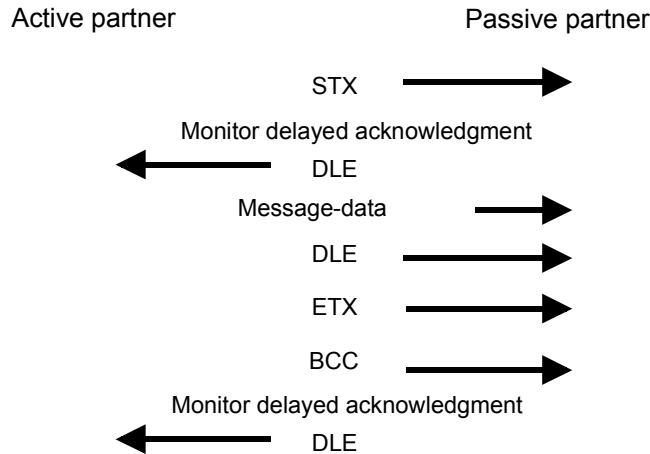
You may work with 1, 2 or no Start- and with 1, 2 or no End-ID. As Start-res. End-ID all Hex values from 01h to 1Fh are permissible. Characters above 1Fh are ignored. In the user data, characters below 20h are not allowed and may cause errors. The number of Start- and End-IDs may be different (1 Start, 2 End res. 2 Start, 1 End or other combinations). For not used start and end characters you have to enter FFh in the hardware configuration. If no End-ID is defined, all read characters are transferred to the PLC after a parameterizable character delay time (Timeout).

3964R

The 3964R procedure controls the data transfer of a point-to-point link between the CPU and a communication partner. The procedure adds control characters to the message data during data transfer. These control characters may be used by the communication partner to verify the complete and error free receipt.

The procedure employs the following control characters:

- STX **Start of Text**
- DLE **Data Link Escape**
- ETX **End of Text**
- BCC **Block Check Character**
- NAK **Negative Acknowledge**

Procedure

You may transfer a maximum of 255byte per message.

**Note!**

When a DLE is transferred as part of the information it is repeated to distinguish between data characters and DLE control characters that are used to establish and to terminate the connection (DLE duplication). The DLE duplication is reversed in the receiving station.

The 3964R procedure requires that a lower priority is assigned to the communication partner. When communication partners issue simultaneous send commands, the station with the lower priority will delay its send command.

USS

The USS protocol (**U**niverselle **S**erielle **S**chnittstelle = universal serial interface) is a serial transfer protocol defined by Siemens for the drive and system components. This allows to build-up a serial bus connection between a superordinated master and several slave systems.

The USS protocol enables a time cyclic telegram traffic by presetting a fix telegram length.

The following features characterize the USS protocol:

- Multi point connection
- Master-Slave access procedure
- Single-Master-System
- Max. 32 participants
- Simple and secure telegram frame

You may connect 1 master and max. 31 slaves at the bus where the single slaves are addressed by the master via an address sign in the telegram. The communication happens exclusively in half-duplex operation.

After a send command, the acknowledgement telegram must be read by a call of the SFC 218 SER_RCV.

The telegrams for send and receive have the following structure:

Master-Slave telegram

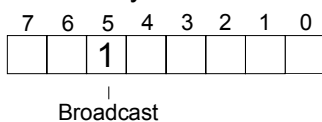
STX	LGE	ADR	PKE		IND		PWE		STW		HSW		BCC
02h			H	L	H	L	H	L	H	L	H	L	

Slave-Master telegram

STX	LGE	ADR	PKE		IND		PWE		ZSW		HIW		BCC
02h			H	L	H	L	H	L	H	L	H	L	

- | | |
|-----------------------|----------------------------|
| where STX: Start sign | STW: Control word |
| LGE: Telegram length | ZSW: State word |
| ADR: Address | HSW: Main set value |
| PKE: Parameter ID | HIW: Main effective value |
| IND: Index | BCC: Block Check Character |
| PWE: Parameter value | |

Broadcast with set bit 5 in ADR-Byte



A request can be directed to a certain slave ore be send to all slaves as broadcast message. For the identification of a broadcast message you have to set bit 5 to 1 in the ADR-Byte. Here the slave addr. (bit 0 ... 4) is ignored. In opposite to a "normal" send command, the broadcast does not require a telegram evaluation via SFC 218 SER_RCV. Only write commands may be sent as broadcast.

Modbus

The Modbus protocol is a communication protocol that fixes a hierarchic structure with one master and several slaves.

Physically, Modbus works with a serial half-duplex connection.

There are no bus conflicts occurring, because the master can only communicate with one slave at a time. After a request from the master, this waits for a preset delay time for an answer of the slave. During the delay time, communication with other slaves is not possible.

After a send command, the acknowledgement telegram must be read by a call of the SFC 218 SER_RCV.

The request telegrams send by the master and the respond telegrams of a slave have the following structure:

Start sign	Slave address	Function Code	Data	Flow control	End sign
------------	---------------	---------------	------	--------------	----------

Broadcast with slave address = 0

A request can be directed to a special slave or at all slaves as broadcast message. To mark a broadcast message, the slave address 0 is used.

In opposite to a "normal" send command, the broadcast does not require a telegram evaluation via SFC 218 SER_RCV.

Only write commands may be sent as broadcast.

ASCII, RTU mode

Modbus offers 2 different transfer modes:

- ASCII mode: Every byte is transferred in the 2 sign ASCII code. The data are marked with a start and an end sign. This causes a transparent but slow transfer.
- RTU mode: Every byte is transferred as one character. This enables a higher data pass through as the ASCII mode. Instead of start and end sign, a time control is used.

The mode selection happens during runtime by using the SFC 216 SER_CFG.

Supported Modbus protocols

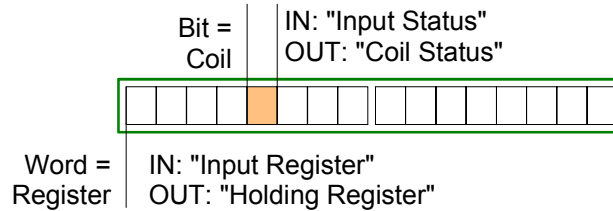
The following Modbus Protocols are supported by the RS485 interface

- Modbus RTU Master
- Modbus ASCII Master

Modbus - Function codes

Naming convention

Modbus has some naming conventions:



- Modbus differentiates between bit and word access; Bits = "Coils" and Words = "Register".
- Bit inputs are referred to as "Input-Status" and Bit outputs as "Coil-Status".
- Word inputs are referred to as "Input-Register" and Word outputs as "Holding-Register".

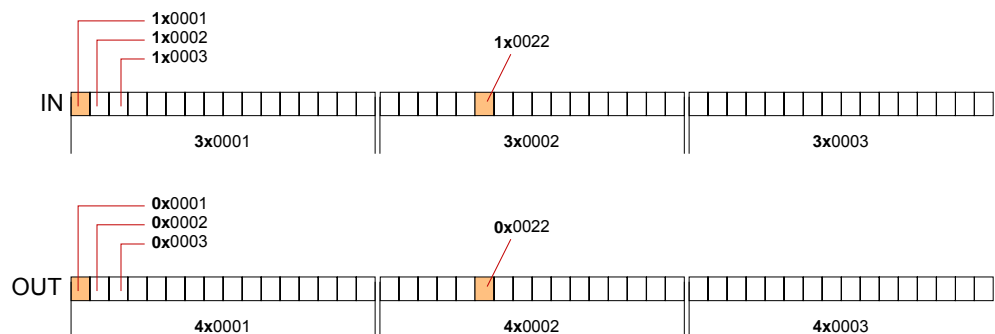
Range definitions

Normally the access at Modbus happens by means of the ranges 0x, 1x, 3x and 4x.

0x and 1x gives you access to *digital* Bit areas and 3x and 4x to *analog* word areas.

For the CPs from VIPA is not differentiating digital and analog data, the following assignment is valid:

- 0x: Bit area for master output data
Access via function code 01h, 05h, 0Fh
- 1x: Bit area for master input data
Access via function code 02h
- 3x: Word area for master input data
Access via function code 04h
- 4x: Word area for master output data
Access via function code 03h, 06h, 10h



A description of the function codes follows below.

Read n Bits Code 01h: Read n Bits of master output area 0x
01h, 02h Code 02h: Read n Bits of master input area 1x

Command telegram

Slave address	Function code	Address 1. Bit	Number of Bits	Check sum CRC/LRC
1Byte	1Byte	1Word	1Word	1Word

Respond telegram

Slave address	Function code	Number of read Bytes	Data 1. Byte	Data 2. Byte	...	Check sum CRC/LRC
1Byte	1Byte	1Byte	1Byte	1Byte		1Word
			max. 250Byte			

Read n Words 03h, 03h: Read n Words of master output area 4x
04h 04h: Read n Words master input area 3x

Command telegram

Slave address	Function code	Address 1. Bit	Number of Words	Check sum CRC/LRC
1Byte	1Byte	1Word	1Word	1Word

Respond telegram

Slave address	Function code	Number of read Bytes	Data 1. Word	Data 2. Word	...	Check sum CRC/LRC
1Byte	1Byte	1Byte	1Word	1Word		1Word
			max. 125 Words			

Write 1 Bit Code 05h: Write 1 Bit to master output area 0x
05h A status change is via "Status Bit" with following values:

"Status Bit" = 0000h → Bit = 0

"Status Bit" = FF00h → Bit = 1

Command telegram

Slave address	Function code	Address Bit	Status Bit	Check sum CRC/LRC
1Byte	1Byte	1Word	1Word	1Word

Respond telegram

Slave address	Function code	Address Bit	Status Bit	Check sum CRC/LRC
1Byte	1Byte	1Word	1Word	1Word

**Write 1 Word
06h**

Code 06h: Write 1 Word to master output area 4x

Command telegram

Slave address	Function code	Address word	Value word	Check sum CRC/LRC
1Byte	1Byte	1Word	1Word	1Word

Respond telegram

Slave address	Function code	Address word	Value word	Check sum CRC/LRC
1Byte	1Byte	1Word	1Word	1Word

Write n Bits 0Fh

Code 0Fh: Write n Bits to master output area 0x

Please regard that the number of Bits has additionally to be set in Byte.

Command telegram

Slave address	Function code	Address 1. Bit	Number of Bits	Number of Bytes	Data 1. Byte	Data 2. Byte	...	Check sum CRC/LRC
1Byte	1Byte	1Word	1Word	1Byte	1Byte	1Byte	1Byte	1Word
						max. 250 Byte		

Respond telegram

Slave address	Function code	Address 1. Bit	Number of Bits	Check sum CRC/LRC
1Byte	1Byte	1Word	1Word	1Word

Write n Words 10h

Code 10h: Write n Words to master output area 4x

Command telegram

Slave address	Function code	Address 1. Word	Number of words	Number of Bytes	Data 1. Word	Data 2. Word	...	Check sum CRC/LRC
1Byte	1Byte	1Word	1Word	1Byte	1Word	1Word	1Word	1Word
						max. 125 Words		

Respond telegram

Slave address	Function code	Address 1. Word	Number of Words	Check sum CRC/LRC
1Byte	1Byte	1Word	1Word	1Word

Modbus - Example communication

Overview The example establishes a communication between a master and a slave via Modbus. The following combination options are shown:

Modbus master (M)	Modbus slave (S)
CPU 31xS	CPU 21xSER-1

Components

The following components are required for this example:

- CPU 31xS as Modbus RTU master
- CPU 21xSER-1 as Modbus RTU slave
- Siemens SIMATIC Manager and possibilities for the project transfer
- Modbus cable connection

Approach

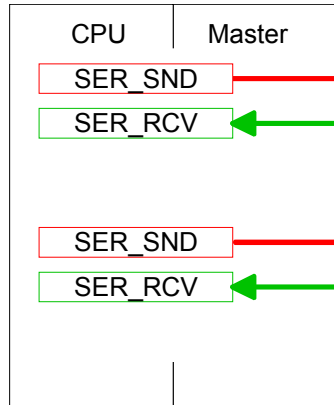
- Assemble a Modbus system consisting of a CPU 31xS as Modbus master and a CPU 21xSER-1 as Modbus slave and Modbus cable.
- Execute the project engineering of the master!
For this you create a PLC user application with the following structure:
OB 100: Call SFC 216 (configuration as Modbus RTU master) with timeout setting and error evaluation.
OB 1: Call SFC 217 (SER_SND) where the data is send with error evaluation. Here you have to build up the telegram according to the Modbus rules.
Call SFC 218 (SER_RECV) where the data is received with error evaluation.
- Execute the project engineering of the slave!
The PLC user application at the slave has the following structure:
OB 100: Call SFC 216 (configuration as Modbus RTU slave) with timeout setting and Modbus address in the DB and error evaluation.
OB 1: Call SFC 217 (SER_SND) for data transport from the slave CPU to the output buffer.
Call SFC 218 (SER_RECV) for the data transport from the input buffer to the CPU. Allow an according error evaluation for both directions.

The following page shows the structure for the according PLC programs for master and slave.

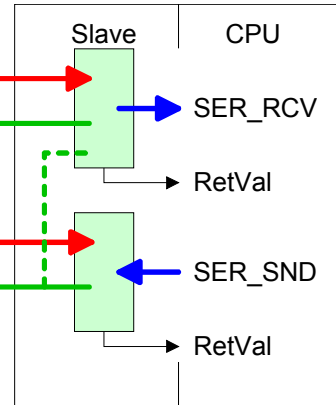
Master

Slave

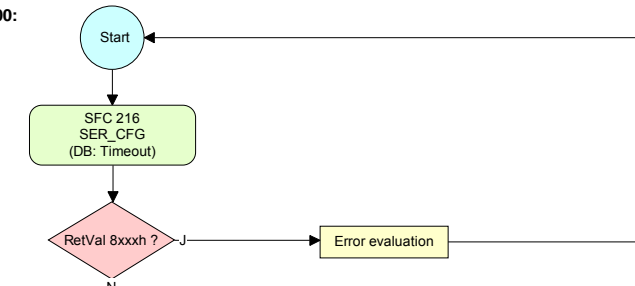
CPU 31xS



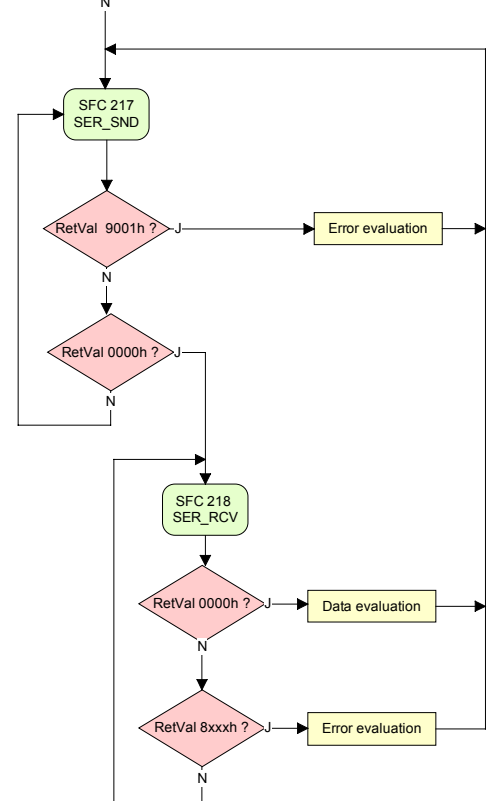
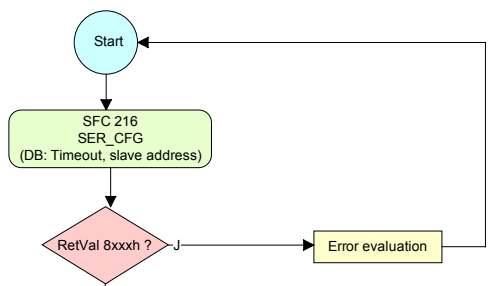
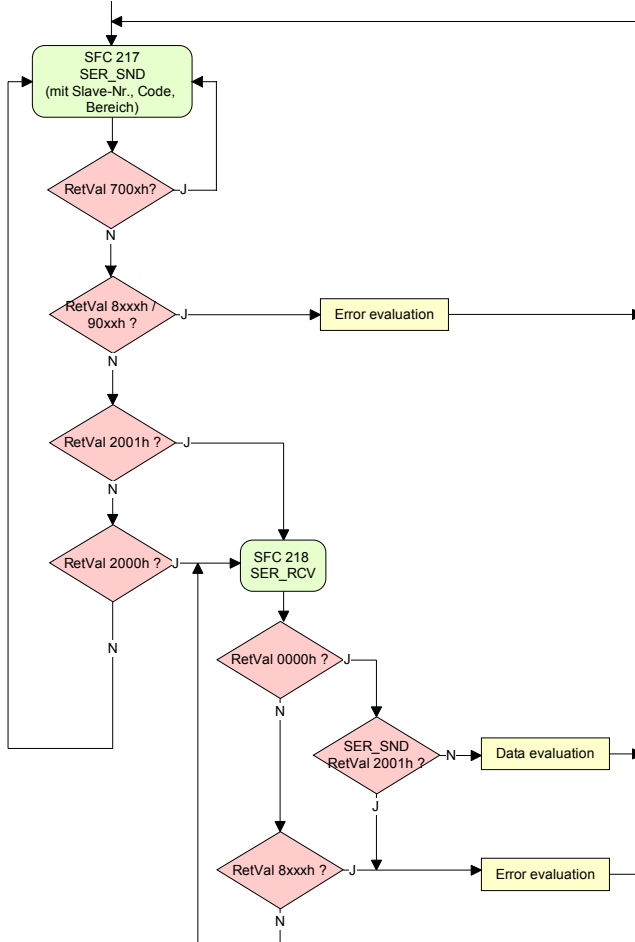
CPU 21xSER-1



OB100:



OB1:



Chapter 7 Deployment PROFIBUS communication

Overview

Content of this chapter is the deployment of the CPU 314-6CF03 with PROFIBUS. After a short overview the project engineering and parameterization of a CPU 314-6CF03 with integrated PROFIBUS-Part from VIPA is shown. Further you get information about usage as DP master and DP slave of the PROFIBUS part.

The chapter is ended with notes to commissioning and start-up.

Content

Topic	Page
Chapter 7 Deployment PROFIBUS communication	7-1
Overview	7-2
Fast introduction.....	7-3
Hardware configuration - CPU.....	7-4
Deployment as PROFIBUS DP master	7-5
Deployment as PROFIBUS DP slave	7-6
PROFIBUS installation guidelines	7-8
Commissioning and Start-up behavior.....	7-11

Overview

PROFIBUS DP

PROFIBUS is an international standard applicable to an open and serial field bus for building, manufacturing and process automation that can be used to create a low (sensor-/actuator level) or medium (process level) performance network of programmable logic controllers.

PROFIBUS comprises an assortment of compatible versions. The following details refer to PROFIBUS DP.

PROFIBUS DP is a special protocol intended mainly for automation tasks in a manufacturing environment. DP is very fast, offers Plug'n'Play facilities and provides a cost-effective alternative to parallel cabling between PLC and remote I/O. PROFIBUS DP was designed for high-speed data communication on the sensor-actuator level.

The data transfer referred to as "Data Exchange" is cyclical. During one bus cycle, the master reads input values from the slaves and writes output information to the slaves.

CPU with DP master

The PROFIBUS DP master is to be configured in the hardware configurator from Siemens. Therefore the configuration happens by the sub module X1 (MPI/DP) of the Siemens CPU.

After the transmission of the data to the CPU, the configuration data are internally passed on to the PROFIBUS master part.

During the start-up the DP master automatically includes his data areas into the address range of the CPU. Project engineering in the CPU is not required.

Deployment of the DP-Master with CPU

Via the PROFIBUS DP master PROFIBUS DP slaves may be coupled to the CPU. The DP master communicates with the DP slaves and links up its data areas with the address area of the CPU.

At every POWER ON res. overall reset the CPU fetches the I/O mapping data from the master. At DP slave failure, the ER-LED is on and the OB 86 is requested. If this is not available, the CPU switches to STOP and BASP is set. As soon as the BASP signal comes from the CPU, the DP master is setting the outputs of the connected periphery to zero. The DP master remains in the operating mode RUN independent from the CPU.

DP slave operation

For the deployment in a super-ordinated master system you first have to project your slave system as Siemens CPU in slave operation mode with configured in-/output areas. Afterwards you configure your master system. Couple your slave system to your master system by dragging the CPU 31x from the hardware catalog at *Configured stations* onto the master system, choose your slave system and connect it.

Fast introduction

Overview The PROFIBUS DP master is to be configured in the hardware configurator. Here the configuration happens by means of the sub module X2 (DP) of the Siemens CPU.

Steps of configuration For the configuration of the PROFIBUS DP master please follow the following approach:

- **Hardware configuration - CPU**
- **Deployment as DP master or Deployment as DP slave**
- **Transfer of the complete project to CPU**

Information about transferring a project may be found at chapter "Deployment CPU ..." at "Project transfer".

Note

To be compatible to the Siemens SIMATIC manager, the CPU 314-6CF03 from VIPA is to be configured as

CPU 317-2DP (317-2AJ10-0AB00 V2.6)

The integrated PROFIBUS DP master (X3) is to be configured and connected via the sub module X2 (DP).

The Ethernet PG/OP channel of the CPU 314-6CF03 is always to be configured as 1. module after the really plugged modules at the standard bus as CP343-1 (343-1EX11) from Siemens.

Hardware configuration - CPU

Requirements

The hardware configuration of the VIPA CPU takes place at the Siemens hardware configurator.

The hardware configurator is a part of the Siemens SIMATIC Manager. It serves the project engineering. The modules, which may be configured here are listed in the hardware catalog. If necessary you have to update the hardware catalog with **Options > Update Catalog**.

For project engineering a thorough knowledge of the Siemens SIMATIC manager and the Siemens hardware configurator are required!



Note!

Please consider that this SPEED7-CPU has 4 ACCUs. After an arithmetic operation (+I, -I, *I, /I, +D, -D, *D, /D, MOD, +R, -R, *R, /R) the content of ACCU 3 and ACCU 4 is loaded into ACCU 3 and 2.

This may cause conflicts in applications that presume an unmodified ACCU2.

For more information may be found in the manual "VIPA Operation list SPEED7" at "Differences between SPEED7 and 300V programming".

Proceeding

To be compatible with the Siemens SIMATIC manager the following steps should be executed:

Slot	Module
1	
2	CPU 317-2DP
X1	<i>MPI/DP</i>
X2	<i>DP</i>
3	

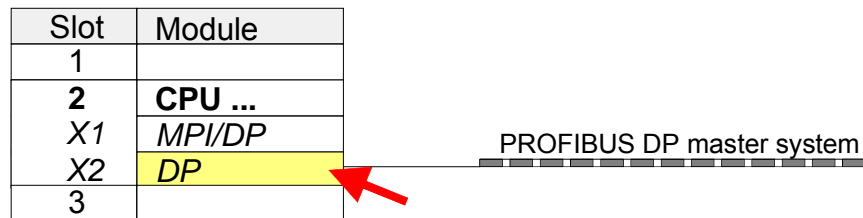
- Start the Siemens hardware configurator with a new project.
- Insert a profile rail from the hardware catalog.
- Place at slot 2 the following CPU from Siemens:
CPU 317-2DP (6ES7 317-2AJ10-0AB0/V2.6).
- The integrated PROFIBUS DP master (X3) is to be configured and connected via the sub module X2 (DP).

Deployment as PROFIBUS DP master

Precondition • The hardware configuration described before was established.

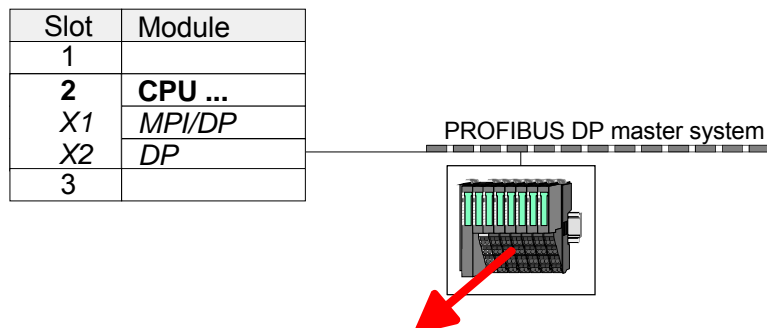
Proceeding

- Open the properties dialog of the DP interface of the CPU by means of a double-click at DP.
- Set *Interface type* to "PROFIBUS"
- Connect to PROFIBUS and preset an address (preferably 2) and confirm with [OK].
- Switch at *Operating mode* to "DP master" and confirm the dialog with [OK]. A PROFIBUS DP master system is inserted.



Now the project engineering of your PROFIBUS DP master is finished. Please link up now your DP slaves with periphery to your DP master.

- For the project engineering of PROFIBUS DP slaves you search the concerning PROFIBUS DP slave in the *hardware catalog* and drag&drop it in the subnet of your master.
- Assign a valid PROFIBUS address to the DP slave.
- Link up the modules of your DP slave system in the plugged sequence and add the addresses that should be used by the modules.
- If needed, parameterize the modules.
- Save, compile and transfer your project. More detailed information about project transfer may be found at chapter "Deployment CPU ...".



Slot	Module	Order number	
1	...		
2	Module		
3	...		
4			
5			
...			

Deployment as PROFIBUS DP slave

Fast introduction

In the following the deployment of the PROFIBUS section as "intelligent" DP slave on master system is described, which exclusively may be configured in the Siemens SIMATIC manager.

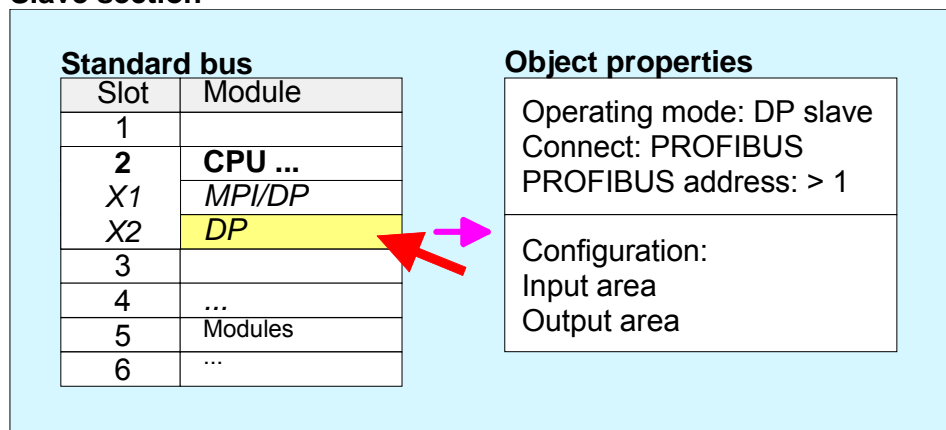
The following steps are required:

- Configure a station with a CPU with operating mode *DP slave*.
- Connect to PROFIBUS and configure the in-/output area for the slave section.
- Save and compile your project.
- Configure another station with another CPU with operating mode *DP master*.
- Connect to *PROFIBUS* and configure the in-/output ranges for the master section
- Save, compile and transfer your project to your CPU.

Project engineering of the slave section

- Start the Siemens SIMATIC manager and configure a CPU as described at "Hardware configuration - CPU".
- Designate the station as "...DP slave"
- Add your modules according to the real hardware assembly.
- Open the properties dialog of the DP interface of the CPU by means of a double-click at DP.
- Set *Interface type* to "PROFIBUS"
- Connect to PROFIBUS and preset an address (e.g. 3) and confirm with [OK].
- Switch at *Operating mode* to "DP slave"
- Via *Configuration* you define the in-/output address area of the slave CPU, which are to be assigned to the DP slave.
- Save, compile and transfer your project to your CPU.

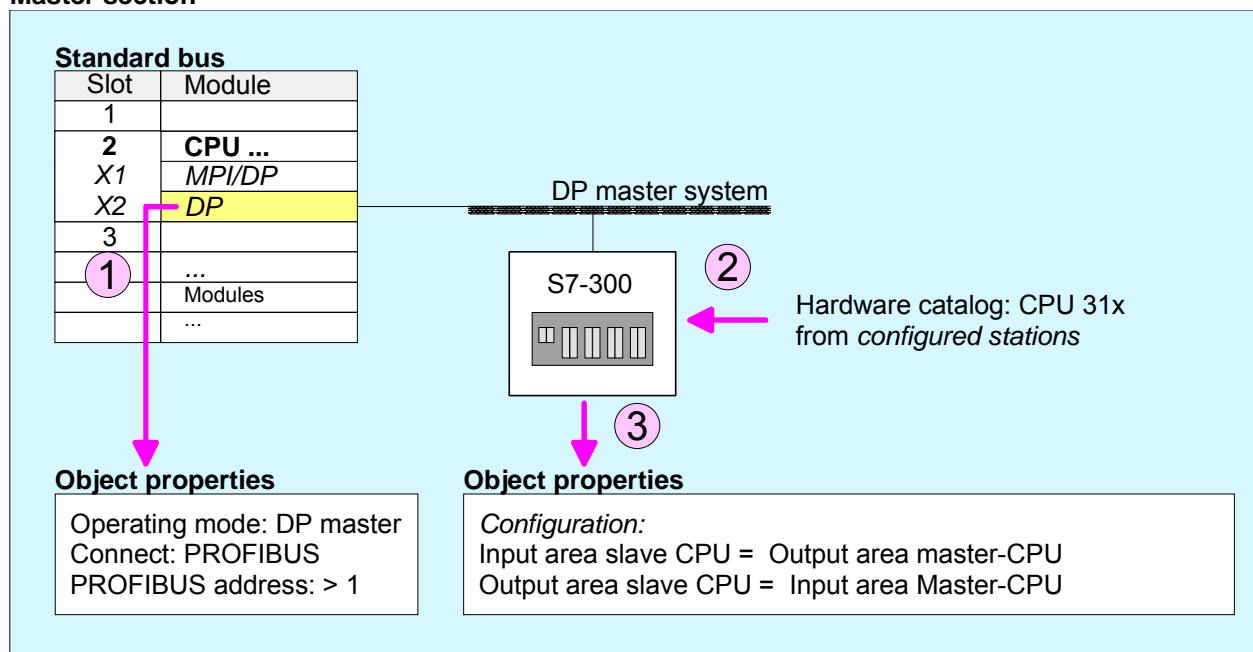
Slave section



Project engineering of the master section

- Insert another station and configure a CPU.
- Add your modules according to the real hardware assembly.
- Open the properties dialog of the DP interface of the CPU by means of a double-click at DP.
- Set *Interface: type* to "PROFIBUS".
- Connect to PROFIBUS and preset an address (preferably 2) and confirm with [OK].
- Switch at *Operating mode* to "DP master" and confirm the dialog with [OK].
- Connect your slave system to this master system by dragging the "CPU 31x" from the hardware catalog at *Configured stations* onto the master system and select your slave system to be coupled.
- Open the *Configuration at Object properties* of your slave system.
- Via double click to the according configuration line you assign the according input address area on the master CPU to the slave output data and the output address area to the slave input data.
- Save, compile and transfer your project to your CPU.

Master section



PROFIBUS installation guidelines

PROFIBUS in general

- A PROFIBUS DP network may only be built up in linear structure.
- PROFIBUS DP consists of minimum one segment with at least one master and one slave.
- A master has always been deployed together with a CPU.
- PROFIBUS supports max. 126 participants.
- Per segment a max. of 32 participants is permitted.
- The max. segment length depends on the baud rate:

9.6 ... 187.5kbaud	→	1000m
500kbaud	→	400m
1.5Mbaud	→	200m
3 ... 12Mbaud	→	100m
- Max. 10 segments may be built up. The segments are connected via repeaters. Every repeater counts for one participant.
- The bus respectively a segment is to be terminated at both ends.
- All participants are communicating with the same baud rate. The slaves adjust themselves automatically on the baud rate.

Transfer medium

As transfer medium PROFIBUS uses an isolated twisted-pair cable based upon the RS485 interface.

The RS485 interface is working with voltage differences. Though it is less irritable from influences than a voltage or a current interface. You are able to configure the network as well linear as in a tree structure.

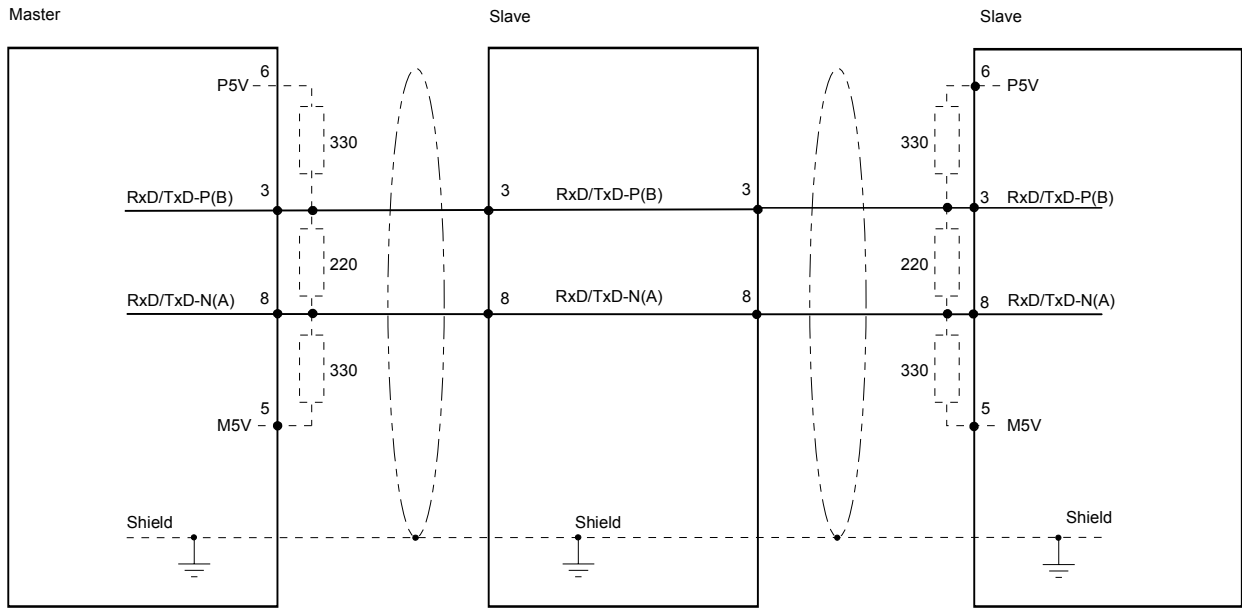
Max. 32 participants per segment are permitted. Within a segment the members are linear connected. The segments are connected via repeaters. The maximum segment length depends on the transfer rate.

PROFIBUS DP uses a transfer rate between 9.6kbaud and 12Mbaud, the slaves are following automatically. All participants are communicating with the same transfer rate.

The bus structure under RS485 allows an easy connection res. disconnection of stations as well as starting the system step by step. Later expansions don't have any influence on stations that are already integrated. The system realizes automatically if one partner had a fail down or is new in the network.

Bus connection

The following picture illustrates the terminating resistors of the respective start and end station.



Note!

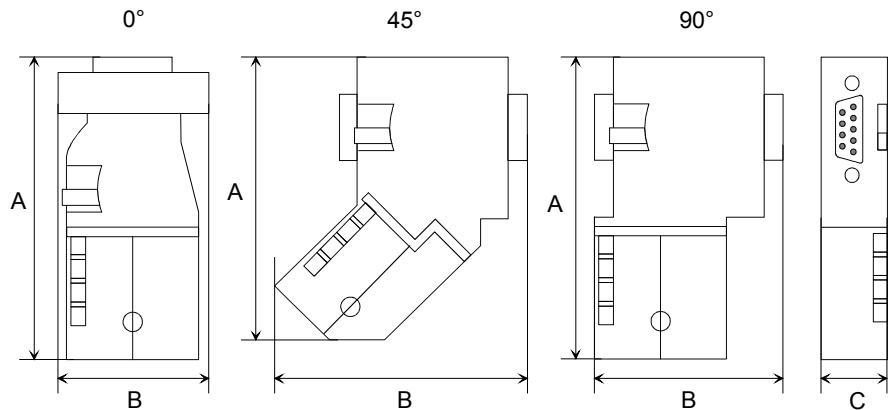
The PROFIBUS line has to be terminated with its ripple resistor. Please make sure to terminate the last participants on the bus at both ends by activating the terminating resistor.

EasyConn bus connector



In PROFIBUS all participants are wired parallel. For that purpose, the bus cable must be feed-through.

Via the order number VIPA 972-0DP10 you may order the bus connector "EasyConn". This is a bus connector with switchable terminating resistor and integrated bus diagnostic.



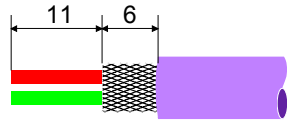
	0°	45°	90°
A	64	61	66
B	34	53	40
C	15.8	15.8	15.8

all in mm

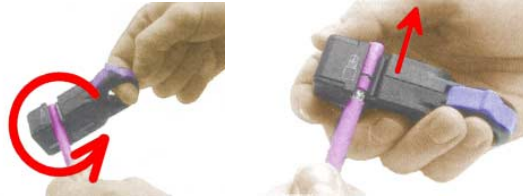


Note!

To connect this EasyConn plug, please use the standard PROFIBUS cable type A (EN50170). Starting with release 5 you also can use highly flexible bus cable: Lapp Kabel order no.: 2170222, 2170822, 2170322. With the order no. 905-6AA00 VIPA offers the "EasyStrip" de-isolating tool that makes the connection of the EasyConn much easier.



Dimensions in mm

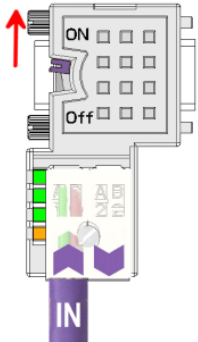


Termination with "EasyConn"

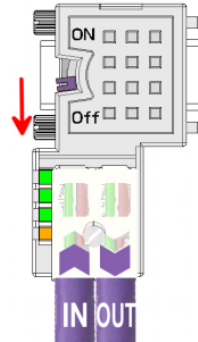
The "EasyConn" bus connector is provided with a switch that is used to activate a terminating resistor.

Wiring

1./last bus participant



further participants



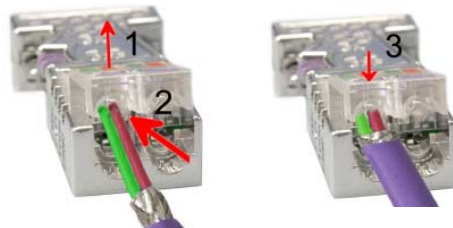
Attention!

The terminating resistor is only effective, if the connector is installed at a bus participant and the bus participant is connected to a power supply.

Note!

A complete description of installation and deployment of the terminating resistors is delivered with the connector.

Assembly



- Loosen the screw.
- Lift contact-cover.
- Insert both wires into the ducts provided (watch for the correct line color as below!)
- Please take care not to cause a short circuit between screen and data lines!
- Close the contact cover.
- Tighten screw (max. tightening torque 4Nm).

Please note:

The green line must be connected to A, the red line to B!

Commissioning and Start-up behavior

Start-up on delivery	In delivery the CPU is overall reset. The PROFIBUS part is deactivated and its LEDs are off after Power ON.
Online with bus parameter without slave project	The DP master can be served with bus parameters by means of a hardware configuration. As soon as these are transferred the DP master goes online with his bus parameter. This is shown by the RUN LED. Now the DP master can be contacted via PROFIBUS by means of his PROFIBUS address. In this state the CPU can be accessed via PROFIBUS to get configuration and DP slave project.
Slave configuration	If the master has received valid configuration data, he switches to <i>Data Exchange</i> with the DP Slaves. This is indicated by the DE-LED.
CPU state controls DP master	After PowerON respectively a receipt of a new hardware configuration the configuration data and bus parameter were transferred to the DP master. Dependent on the CPU state the following behavior is shown by the DP master:
Master behavior at CPU STOP	<ul style="list-style-type: none">• The global control command "Clear" is sent to the slaves by the master. Here the DE-LED is blinking.• DP slaves with <i>fail safe mode</i> were provided with output telegram length "0".• DP slaves without <i>fail safe mode</i> were provided with the whole output telegram but with output data = 0.• The input data of the DP slaves were further cyclically transferred to the input area of the CPU.
Master behavior at CPU RUN	<ul style="list-style-type: none">• The global control command "Operate" is sent to the slaves by the master. Here the DE-LED is on.• Every connected DP slave is cyclically attended with an output telegram containing recent output data.• The input data of the DP slaves were cyclically transferred to the input area of the CPU.

**LEDs
PROFIBUS/PtP
interface X3**

Dependent on the mode of operation the LEDs show information about the state of operation of the PROFIBUS part according to the following pattern:

Master operation

RN (RUN) green	ER (ERR) red	DE green	IF red	Meaning
○	○	○	○	Master has no project, this means the interface is deactivated respectively PtP is active.
●	○	○	○	Master has bus parameters and is in RUN without slaves.
●	○	☀	○	Master is in "clear" state (safety state). The inputs of the slaves may be read. The outputs are disabled.
●	○	●	○	Master is in "operate" state, this means data exchange between master and slaves. The outputs may be accessed.
●	●	●	○	CPU is in RUN, at least 1 slave is missing.
●	●	☀	○	CPU is in STOP, at least 1 slave is missing.
○	○	○	●	Initialization error at faulty parameterization.
○	●	○	●	Waiting state for start command from CPU.

Slave operation

RN (RUN) green	ER (ERR) red	DE green	IF red	Meaning
○	○	○	○	Slave has no project respectively PtP is active.
☀	○	○	○	Slave is without master.
☀*	○	☀*	○	* Alternate flashing at configuration faults.
●	○	●	○	Slave exchanges data between master.

on: ● off: ○ blinking (2Hz): ☀ not relevant: X

Chapter 8 WinPLC7

Overview

In this chapter the programming and simulation software WinPLC7 from VIPA is presented. WinPLC7 is suited for every with Siemens STEP[®]7 programmable PLC.

Besides the system presentation and installation here the basics for using the software is explained with a sample project.

More information concerning the usage of WinPLC7 may be found in the online help respectively in the online documentation of WinPLC7.

Content

Topic	Page
Chapter 8 WinPLC7	8-1
System presentation.....	8-2
Installation	8-3
Example project engineering	8-4

System presentation

General

WinPLC7 is a programming and simulation software from VIPA for every PLC programmable with Siemens STEP[®]7.

This tool allows you to create user applications in FBD, LAD and STL.

Besides of a comfortable programming environment, WinPLC7 has an integrated simulator that enables the simulation of your user application at the PC without additional hardware.

This "Soft-PLC" is handled like a real PLC and offers the same error behavior and diagnosis options via diagnosis buffer, USTACK and BSTACK.



Note!

Detailed information and programming samples may be found at the online help respectively in the online documentation of WinPLC7.

Alternatives

There is also the possibility to use according configuration tools from Siemens instead of WinPLC7 from VIPA.

Here the proceeding is part of this manual.

System requirements

- Pentium with 233MHz and 64Mbyte work space
- Graphics card with at least 16bit color - we recommend a screen resolution of at least 1024x768 pixel.
- Windows 98SE/ME, Windows 2000, Windows XP (Home and Professional), Windows Vista

Source

You may receive a *demo version* from VIPA. Without any activation with the *demo version* the CPUs 11x of the System 100V from VIPA may be configured.

To configure the SPEED7 CPUs a license for the "profi" version is necessary. This may be online received and activated.

There are the following sources to get WinPLC7:

Online

At www.vipa.com in the service area at *Downloads* a link to the current demo version and the updates of WinPLC7 may be found.

CD

Order no.	Description
SW211C1DD	WinPLC7 Single license, CD, with documentation in german
SW211C1ED	WinPLC7 Single license, CD, with documentation in english
SW900T0LA	ToolDemo VIPA software library free of charge respectively demo versions, which may be activated

Installation

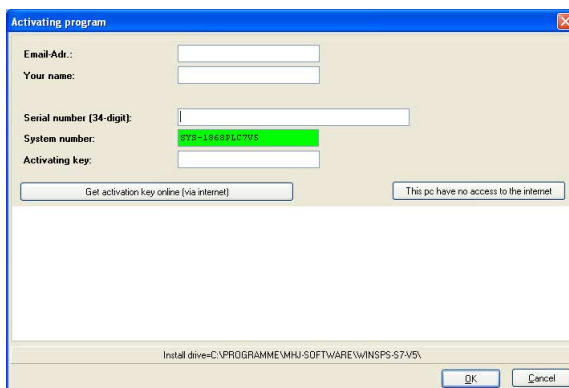
Preconditions The project engineering of a SPEED7 CPU from VIPA with WinPLC7 is only possible using an activated "Profi" version of WinPLC7.

Installation WinPLC7 Demo The installation and the registration of WinPLC7 has the following approach:

- For installation of WinPLC7 start the setup program of the corresponding CD respectively execute the online received exe file.
- Choose the according language.
- Agree to the software license contract.
- Set an installation directory and a group assignment and start the installation.

Activation of the "Profi" version

- Start WinPLC7. A "Demo" dialog is shown.
- Click at [Activate Software]. The following dialog for activation is shown:



- Fill in the following fields: *Email-Addr.*, *Your Name* und *Serial number*. The serial number may be found on a label at the CD case.
- If your computer is connected to Internet you may online request the *Activation Key* by [Get activation key via Internet]. Otherwise click at [This PC has no access to the internet] and follow the instructions.
- With successful registration the activation key is listed in the dialog window respectively is sent by email.
- Enter the activation key and click to [OK]. Now, WinPLC7 is activated as "Profi" version.

Installation of WinPCAP for station search via Ethernet

To find a station via Ethernet (accessible nodes) you have to install the WinPCAP driver. This driver may be found on your PC in the installation directory at WinSPS-S7-V5/WinPcap_... .exe. Execute this file and follow the instructions.

Example project engineering

Job definition

In the example a FC 1 is programmed, which is cyclically called by the OB 1. By setting of 2 comparison values (*value1* and *value2*) during the FC call, an output of the PLC-System should be activated depending on the comparison result.

Here it should apply:

- if *value1* = *value2* activate output Q 124.0
- if *value1* > *value2* activate output Q 124.1
- if *value1* < *value2* activate output Q 124.2

Precondition

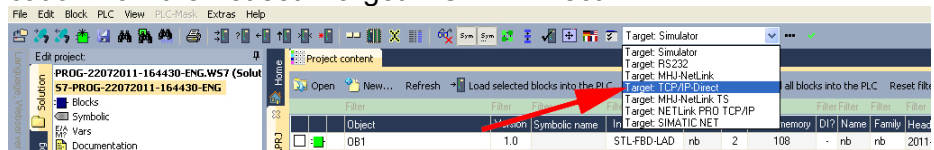
- You have administrator rights for your PC.
- WinPLC7 is installed and activated as "Profi" version.
- One CPU and one digital output module are installed and cabled.
- The Ethernet PG/OP channel of the CPU is connected to your Ethernet network. Your CPU may be connected to your PC with an Ethernet cable either directly or via hub/switch.
- WinPCap for station search via Ethernet is installed.
- The power supply of the CPU and the I/O periphery are activated and the CPU is in STOP state.

Project engineering

- Start WinPLC7 ("Profi" version)
- Create and open a new project with [Create a new solution].

Hardware configuration

- For the call of the hardware configurator it is necessary to set WinPLC7 from the *Simulator-Mode* to the *Offline-Mode*. For this and the communication via Ethernet set "Target: TCP/IP Direct".



- Double click to "Hardware stations" and here at "Create new".



- Enter a station name. Please consider that the name does not contain any spaces.
- After the load animation choose in the register *Select PLC-System* the system "VIPA SPEED7" and click to [Create]. A new station is created.
- Save the empty station.
- By double click or drag&drop the according VIPA CPU in the hardware catalog at CPU SPEED7 the CPU is inserted to your configuration.
- For output place a digital output module and assign the start address 124.
- Save the hardware configuration.

Online access via Ethernet PG/OP channel

- Open the *CPU-Properties*, by double clicking to the CPU at slot 2 in the hardware configurator.
- Click to the button [Ethernet CP-Properties (PG/OP-channel)]. The *Properties CP343* is opened.
- Choose the register *Common Options*.
- Click to [Properties Ethernet].
- Choose the subnet "PG_OP_Ethernet".
- Enter a valid IP address-and a subnet mask. You may get this from your system administrator.
- Close every dialog window with [OK].
- Select, if not already done, "Target: External TCP/IP direct".
- Open with **Online** > *Send configuration to the CPU* a dialog with the same name.
- Click to [Accessible nodes]. Please regard to use this function it is necessary to install WinPCap before!
- Choose your network card and click to [Determining accessible nodes]. After a waiting time every accessible station is listed. Here your CPU with IP 0.0.0.0 is listed, too. To check this the according MAC address is also listed. This MAC address may be found at a label beneath the front flap of the CPU.
- For the temporary setting of an IP address select you CPU and click to [Temporary setting of the IP parameters]. Please enter the same IP parameters, you configured in the CPU properties and click to [Write Parameters].
- Confirm the message concerning the overall reset of the CPU. The IP parameters are transferred to the CPU and the list of accessible stations is refreshed.
- Select you CPU and click to [Confirm]. Now you are back in the dialog "Send configuration".

Transfer hardware configuration

- Choose your network card and click to [Send configuration]. After a short time a message is displayed concerning the transfer of the configuration is finished.



Note!

Usually the online transfer of the hardware configuration happens within the hardware configurator.

With **File** > *Save active station in the WinPL7 sub project* there is also the possibility to store the hardware configuration as a system file in WinPLC7 to transfer it from WinPLC7 to the CPU.

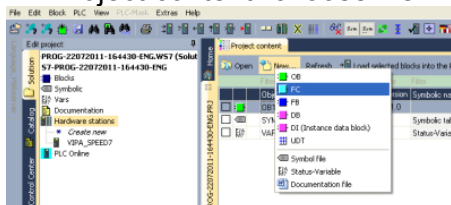
The hardware configuration is finished, now and the CPU may always be accessed by the IP parameters as well by means of WinPLC7.

Programming of the FC 1

The PLC programming happens by WinPLC7. Close the hardware configurator and return to your project in WinPLC7. The PLC program is to be created in the FC 1.

Creating block FC 1

- In "Project content" choose New > FC.



- Enter "FC1" as block and confirm with [OK]. The editor for FC 1 is called.

Creating parameters

In the upper part of the editor there is the *parameter table*. In this example the 2 integer values *value1* und *value2* are to be compared together. Since both values are read only by the function, these are to be defined as "in".

- Select the "in -->" row at the *parameter table* and enter at the field *Name* "value1". Press the [Return] key. The cursor jumps to the column with the data type.
- The data type may either directly be entered or be selected from a list of available data types by pressing the [Return] key. Set the data type to INT and press the [Return] key. Now the cursor jumps to the *Comment* column.
- Here enter "1. compare value" and press the [Return] key. A new "in -->" row is created and the cursor jumps to *Name*.
- Proceed for *value2* in the same way as described for *value1*.
- Save the block. A note that the interface of the block was changed may be acknowledged with [Yes].

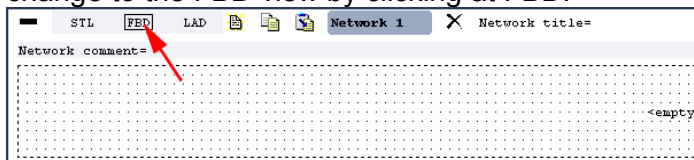
The parameter table shows the following entries, now:

Address	Declaration	Name	Type	Initial value	Comment
0.0	in -->	value1	INT		1. compare value
2.0	in -->	value2	INT		2. compare value
	out <--				
	in_out <->				

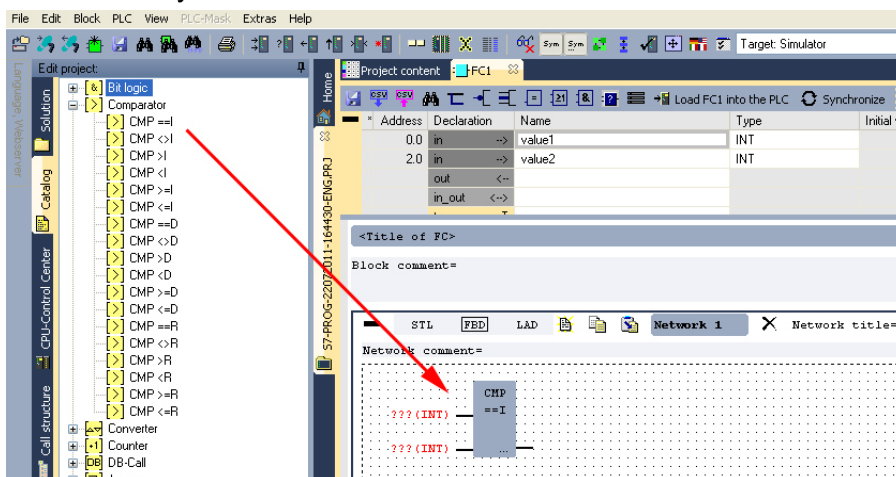
Enter the program

As requested in the job definition, the corresponding output is activated depending on the comparison of *value1* and *value2*. For each comparison operation a separate network is to be created.

- The program is to be created as FBD (function block diagram). Here change to the FBD view by clicking at FBD.



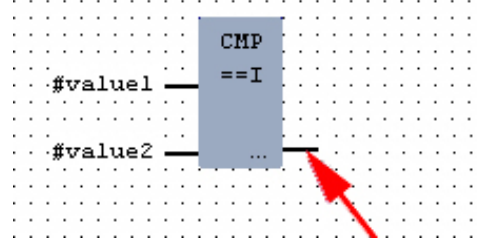
- Click to the input field designated as "<empty>". The available operations may be added to your project by drag&drop from the hardware catalog or by double click at them in the hardware catalog.
- Open in the catalog the category "Comparator" and add the operation "CMP==I" to your network.



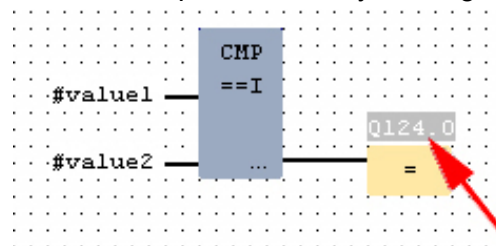
- Click to the input left above and insert *value1*. Since these are block parameters a selection list of block parameters may be viewed by entering "#".
- Type in "#" and press the [Return] key.
- Choose the corresponding parameter and confirm it with the [Return] key.
- Proceed in the same way with the parameter *value2*.

The allocation to the corresponding output, here Q 124.0, takes place with the following proceeding:

- Click to the output at the right side of the operator.



- Open in the catalog the category "Bit logic" and select the function "--[=]". The inserting of "--=" corresponds to the WinPLC7 shortcut [F7].
- Insert the output Q 124.0 by clicking to the operand.



Network1 is finished, now.

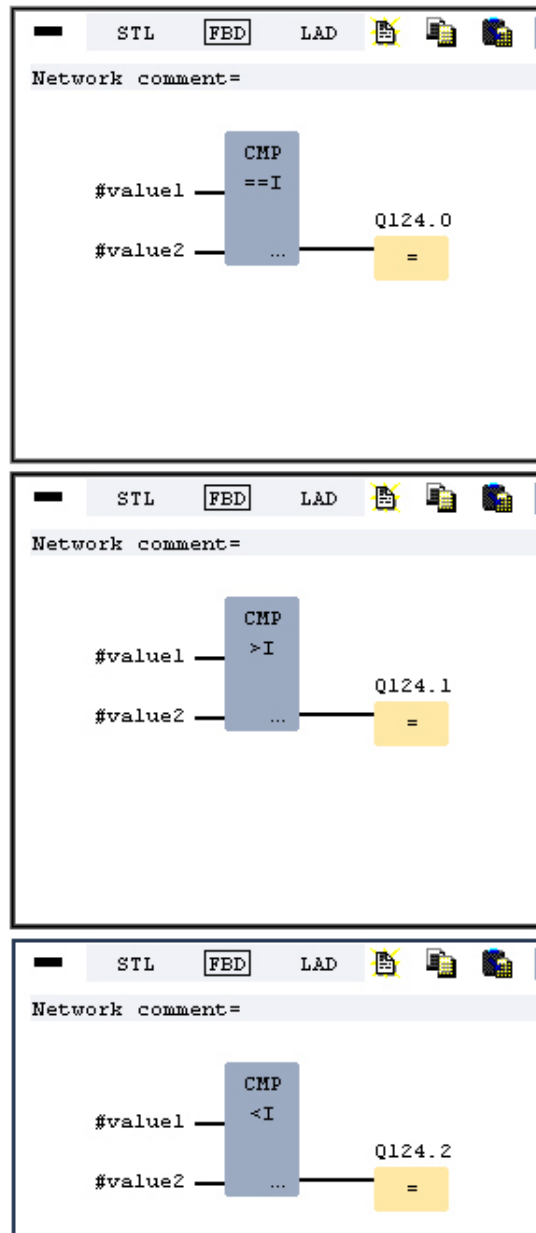
Adding a new network

For further comparisons the operations "CMP>I" at Q 124.1 and "CMP<I" at Q 124.2 are necessary. Create a network for both operations with the following proceeding:

- Move your mouse at an arbitrary position on the editor window and press the right mouse key.
- Select at the context menu "Insert new network". A dialog field is opened to enter the position and number of the networks. Or click at [Add a network at the end of the block].
- Proceed as described for "Network 1".
- Save the FC 1 with **File** > *Save content of focused window* respectively press [Strg]+[S].

FC1

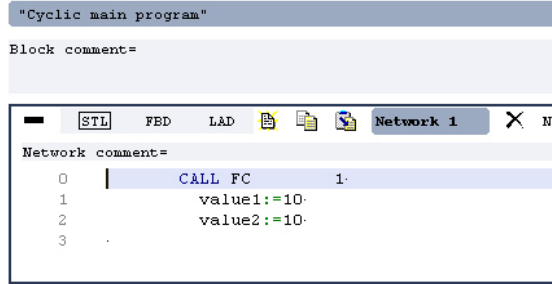
After you have programmed the still missing networks, the FC 1 has the following structure:



Creating the block OB 1

The FC 1 is to be called from the cycle OB 1.

- Go to OB 1, which was automatically created with starting the project.
- Go to "Project content" or to "Solution" and open the OB 1 by a double click.
- Change to the STL view.
- Type in "Call FC 1" and press the [Return] key. The FC parameters are automatically displayed and the following parameters are assigned:

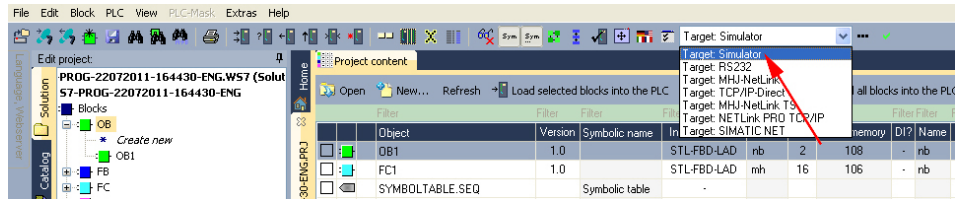


- Save the OB 1 with or [Strg]+[S].

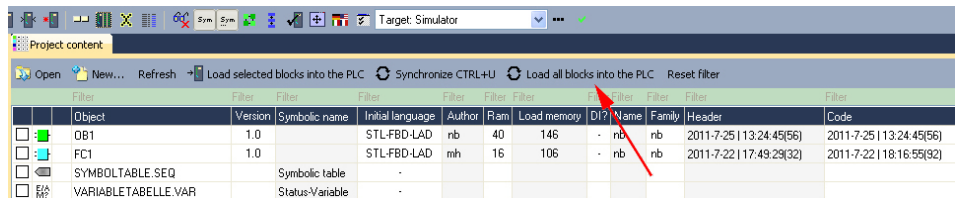
Test the PLC program in the Simulator

With WinPLC7 there is the possibility to test your project in a *simulator*.

- Here select "Target: Simulator".



- Transfer the blocks to the simulator with [Load all blocks into the PLC].



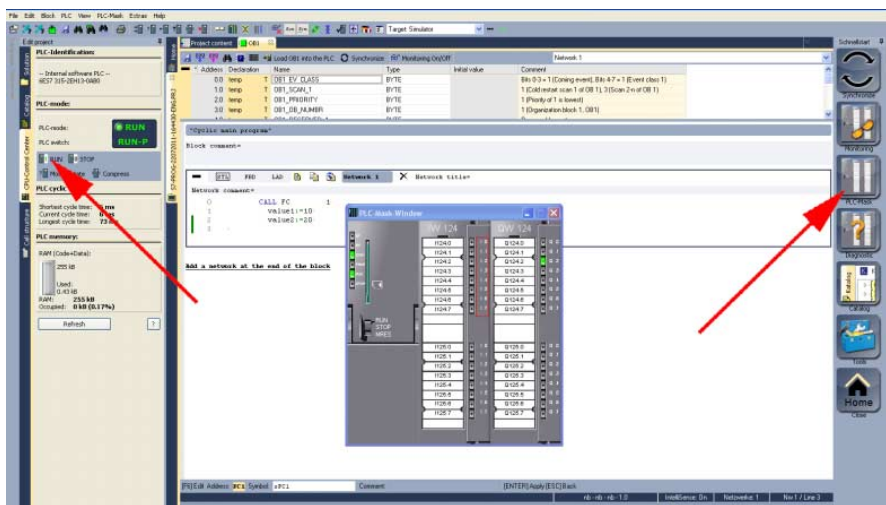
- Switch the CPU to RUN, by clicking at RUN in the "CPU Control Center" of "Edit project". The displayed state changes from STOP to RUN.
- To view the process image select **View > Display process image window** or click at . The various areas are displayed.
- Double click to the process image and enter at "Line 2" the address PQB 124. Confirm with [OK]. A value marked by red color corresponds to a logical "1".
- Open the OB 1.
- Change the value of one variable, save the OB 1 and transfer it to the simulator. According to your settings the process image changes immediately. The status of your blocks may be displayed with **Block > Monitoring On/Off**.

Visualization via PLC mask

A further component of the simulator is the *PLC mask*. Here a CPU is graphically displayed, which may be expanded by digital and analog peripheral modules.

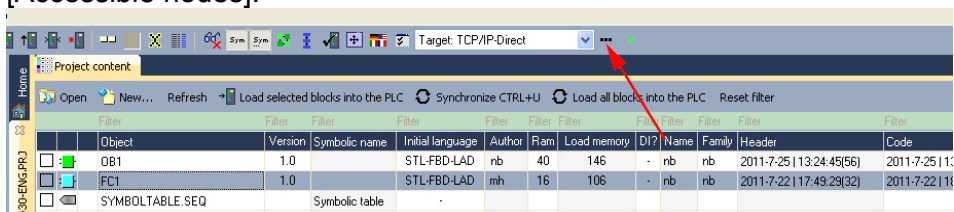
As soon as the CPU of the simulator is switched to RUN state, inputs may be activated by mouse and outputs may be displayed.

- Open the PLC mask with **view > PLC mask**. A CPU is graphically displayed.
- Double-click to the output module, open its properties dialog and enter the *Module address* 124.
- Switch the operating mode switch to RUN by means of the mouse. Your program is executed and displayed in the simulator, now.



Transfer PLC program to CPU and its execution

- For transfer to the CPU set the transfer mode to "Target: TCP/IP-Direct".
- If there are more network adapters in your PC, the network adapter may be selected via **Extras > Select network adapter**.
- For presetting the Ethernet data click to [...] and click to [Accessible nodes].



- Click at [Determining accessible nodes]. After a waiting time every accessible station is listed.
- Choose your CPU, which was provided with TCP/IP address parameters during the hardware configuration and click to [Confirm].
- Close the "Ethernet properties" dialog with [OK].
- Transfer your project to your CPU with **PLC > Send all blocks**.
- Switch your CPU to RUN state.
- Open the OB 1 by double click.
- Change the value of one variable, save the OB 1 and transfer it to the CPU. According to your settings the process image changes immediately. The status of your blocks may be displayed with **Block > Monitoring On/Off**.

Chapter 9 Configuration with TIA Portal

Overview

In this chapter the project engineering of the VIPA CPU in the Siemens TIA Portal is shown. The chapter only describes the basic usage of the Siemens TIA Portal together with a VIPA CPU .

More detailed information about the Siemens TIA Portal is to be found in the according online manual respectively documentation.

Content

Topic	Page
Chapter 9 Configuration with TIA Portal	9-1
TIA Portal - Work environment.....	9-2
TIA Portal - Hardware configuration - CPU.....	9-4
TIA Portal - Hardware configuration - I/O modules.....	9-5
TIA Portal - Hardware configuration - Ethernet PG/OP channel.....	9-6
TIA Portal - Setting VIPA specific CPU parameters.....	9-9
TIA Portal - Include VIPA library.....	9-12
TIA Portal - Project transfer.....	9-13

TIA Portal - Work environment

General

TIA is the abbreviation for **T**otally **i**ntegrated **A**utomation from Siemens. Here your VIPA PLCs may be configured and linked. For diagnostics online tools are available.



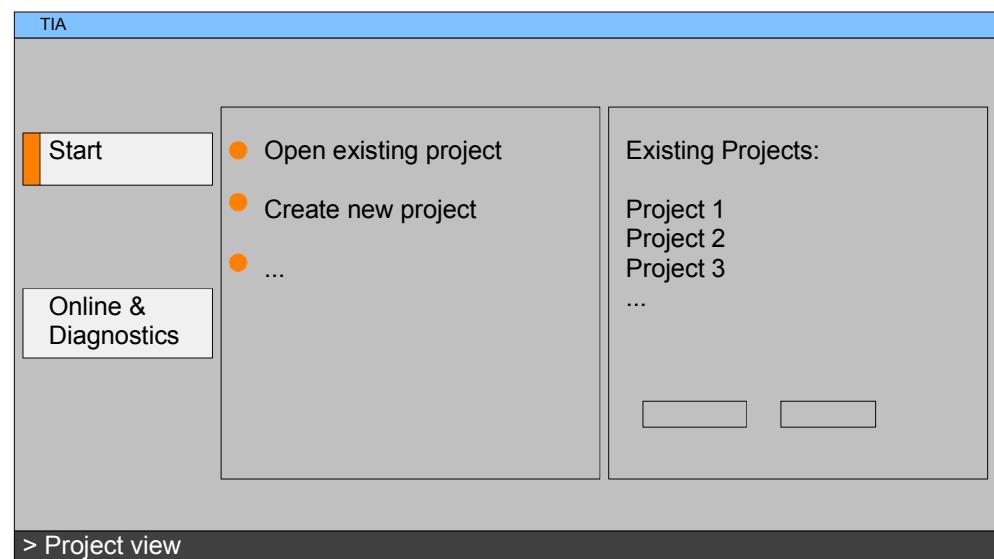
Note!

Information about the Siemens TIA Portal may be found in the online help respectively in the according online documentation.

Starting the TIA Portal

To start the Siemens TIA Portals with Windows select **Start > Programs > Siemens Automation > TIA ...**

Then the TIA Portal opens with the last settings used.



Exiting the TIA Portal

With the menu **Project > Exit** in the *Project view* you may exit the TIA Portal.

Here there is the possibility to save changes of your project before.

Work environment of the TIA Portal

Basically, the TIA Portal has the following 2 views. With the button on the left below you can switch between these views:

Portal view

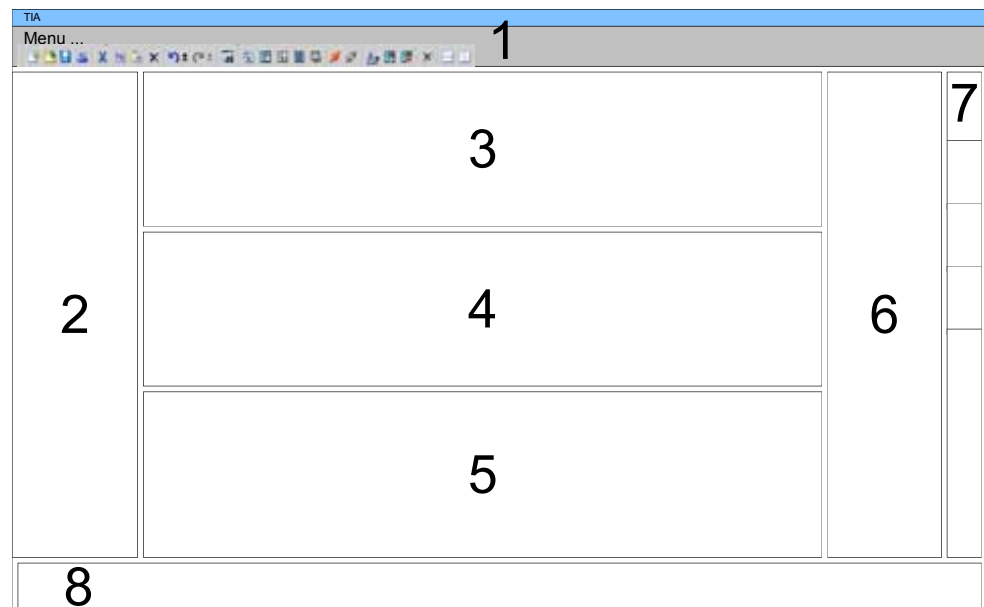
The *Portal view* provides a "task oriented" view of the tools for processing your project. Here you have direct access to the tools for a task. If necessary, a change to the *Project view* takes place automatically for the selected task.

Project view

The *Project view* is a "structured" view to all constituent parts of your project.

Areas of the Project view

The *Project view* is divided into the following areas:



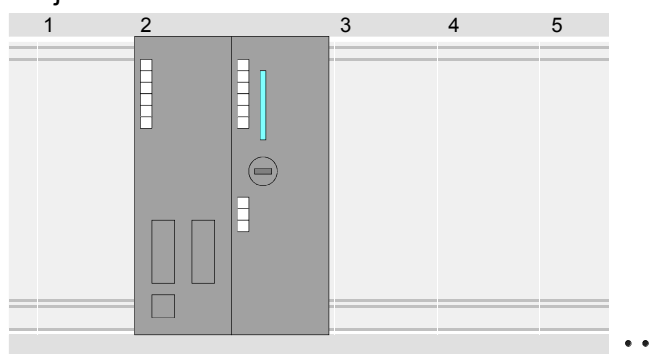
- [1] Menu bar with toolbars
- [2] Project tree with Details view
- [3] Project area
- [4] Device overview of the project respectively area for block programming
- [5] Properties dialog of a device (Parameter) respectively area for information
- [6] Hardware catalog and tools
- [7] "Task-Cards" to select hardware catalog, tasks and libraries
- [8] Jump to *Portal* or *Project view*

TIA Portal - Hardware configuration - CPU

General To be compatible with the Siemens TIA Portal the VIPA CPU is to be configured as **CPU 317-2DP (6ES7 317-2AJ10-0AB0 V2.6)** from Siemens.

- Proceeding**
- Start the Siemens TIA Portal.
 - Create a new project in the *Portal view* with *Create new project*.
 - Change to the *Project view*.
 - Click in the *Project tree* at *Add new device*.
 - Select the following CPU in the input dialog:
SIMATIC S7-300 > CPU 317-2DP > 6ES7 317-2AJ10-0AB0 V2.6.
Then the CPU is inserted with a profile rail.

Project area:



Device overview:

Module	...	Slot	...	Type	...
PLC...		2		CPU 317-2DP	
MPI/DP interface...		2 X1		MPI/DP interface..	
DP interface...		2 X2		DP interface...	
...					

Parameterization Since the CPU from VIPA is configured as Siemens CPU, so the parameterization takes place via the Siemens CPU.

For parameterization click in the *Project area* respectively in the *Device overview* at the CPU part. Then the parameters of the CPU part are shown in the *Properties* dialog. Here you can make your parameter settings.



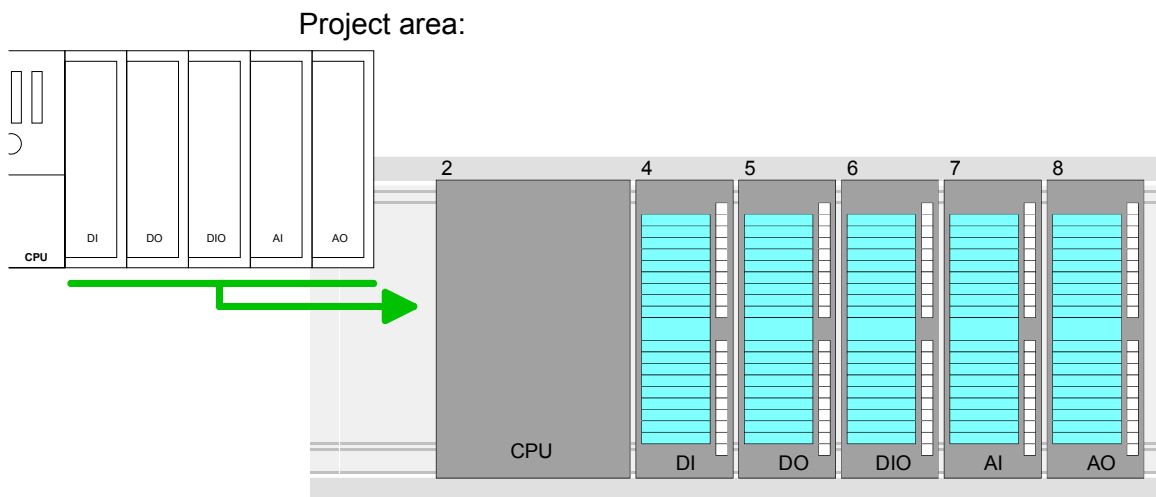
Note!

The parameters are described in chapter "Deployment CPU..." at "CPU parameterization".

TIA Portal - Hardware configuration - I/O modules

Hardware configuration of the modules

After the hardware configuration of the CPU place the System 300 modules at the bus in the plugged sequence. For this drag&drop the according module from the *Hardware catalog* to the according position of the profile rail in the *Project area* or in the *Device overview*.



Device overview:

Module	...	Slot	...	Type	...
PLC...		2		CPU ...	
...		
		3			
DI...		4		DI...	
DO...		5		DO...	
DIO...		6		DIO...	
AI...		7		AI...	
AO...		8		AO...	

Parameterization

For parameterization click in the *Project area* respectively in the *Device overview* on the module you want to parameterize. The parameters of the module appear in the *Properties dialog*. Here you can make your parameter settings.

TIA Portal - Hardware configuration - Ethernet PG/OP channel

Overview

The CPU has an integrated Ethernet PG/OP channel. This channel allows you to program and remote control your CPU.

The PG/OP channel also gives you access to the internal web page that contains information about firmware version, connected I/O devices, current cycle times etc.

With the first start-up respectively after an overall reset the Ethernet PG/OP channel does not have any IP address.

For online access to the CPU via Ethernet PG/OP channel valid IP address parameters have to be assigned to this for example by means of the Siemens TIA Portal. This is called "initialization".

Assembly and commissioning

- Install your System 300S with your CPU.
- Wire the system by connecting cables for voltage supply and signals.
- Connect the Ethernet jack of the Ethernet PG/OP channel to Ethernet
- Switch on the power supply.
 - After a short boot time the CP is ready for communication.
He possibly has no IP address data and requires an initialization.

"Initialization" via Online functions

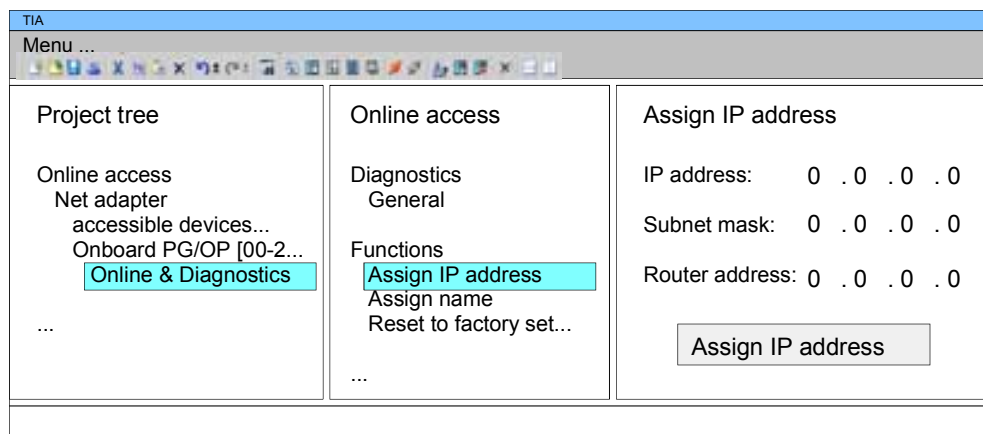
The initialization via the Online functions takes place with the following proceeding:

- Determine the current Ethernet (MAC) address of your Ethernet PG/OP channel. This always may be found as 1. address under the front flap of the CPU on a sticker on the left side.

Assign IP address parameters

You get valid IP address parameters from your system administrator. The assignment of the IP address data happens online in the Siemens TIA Portal with the following proceeding:

- Start the Siemens TIA Portal.
- Switch to the *Project view*.
- Click in the *Project tree* at *Online access* and choose here by a double-click your network card which is connected to the Ethernet PG/OP channel.
- To get the stations and their MAC address, use the [Accessible device] button. The MAC address may be found at the 1. label beneath the front flap of the CPU.
- Choose from the list the module with the known MAC address (Onboard PG/OP [MAC address]) and open with "Online & Diagnostics" the diagnostics dialog in the *Project area*.
- Navigate to *Functions > Assign IP address*.
- Type in the IP configuration like IP address, subnet mask and gateway.
- Confirm with [Assign IP configuration].



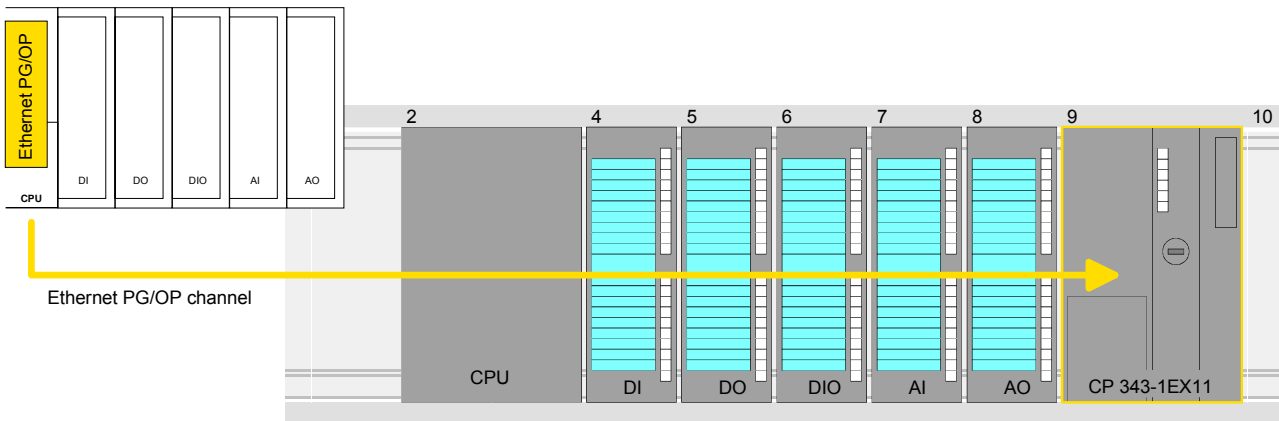
Note!

Direct after the assignment the Ethernet PG/OP channel may be reached online by these address data. The value remains as long as it is reassigned, it is overwritten by a hardware configuration or an factory reset is executed.

Take IP address parameters in project

- Start the Siemens TIA Portal.
- Configure in the *Device configuration* the according Siemens CPU.
- Configure the system 300 modules.
- For the Ethernet PG/OP channel you have to configure a Siemens CP 343-1 (6GK7 343-1EX11 0XE0) always as last module after the really plugged modules.
- Open the "Property" dialog by clicking on the CP 343-1EX11 and enter for the CP at "Properties" the IP address data, which you have assigned before.
- Transfer your project.

Project area:



Device overview:

Module	...	Slot	...	Type	...
PLC...		2		CPU ...	
...		
		3			
DI...		4		DI...	
DO...		5		DO...	
DIO...		6		DIO...	
AI...		7		AI...	
AO...		8		AO...	
CP 343-1		9		CP 343-1	

TIA Portal - Setting VIPA specific CPU parameters

Requirements

Since the VIPA specific CPU parameters may be set, the installation of the SPEEDBUS.GSD from VIPA in the hardware catalog is necessary.

The CPU may be configured in a PROFIBUS master system and the appropriate parameters may be set after installation.

Installation of the SPEEDBUS.GSD

The GSD (**Geräte-Stamm-Datei**) is online available in the following language versions. Further language versions are available on inquiries.

Name	Language
SPEEDBUS.GSD	german (default)
SPEEDBUS.GSG	german
SPEEDBUS.GSE	english

The GSD files may be found at www.vipa.com at the "Service" part.

The integration of the SPEEDBUS.GSD takes place with the following proceeding:

- Browse to www.vipa.com.
- Click to *Service > Download > GSD- and EDS-Files > PROFIBUS*.
- Download the file *Cx000023_Vxxx*.
- Extract the file to your work directory. The SPEEDBUS.GSD is stored in the directory *VIPA_System_300S*.
- Start the Siemens TIA Portal.
- Close every project.
- Switch to the *Project view*.
- Select **Options** > *Install general station description file (GSD)*.
- Navigate to the directory *VIPA_System_300S*, select the according **SPEEDBUS.GSx** and click at [Install].

The hardware catalog is refreshed and the Siemens TIA Portal is finished.

After restarting the Siemens TIA Portal all the SPEED7 CPUs and modules of the System 300S from VIPA can now be found in the hardware catalog at:

Other field devices > PROFIBUS DP > I/O > VIPA GmbH > VIPA_SPEEDbus



Note!

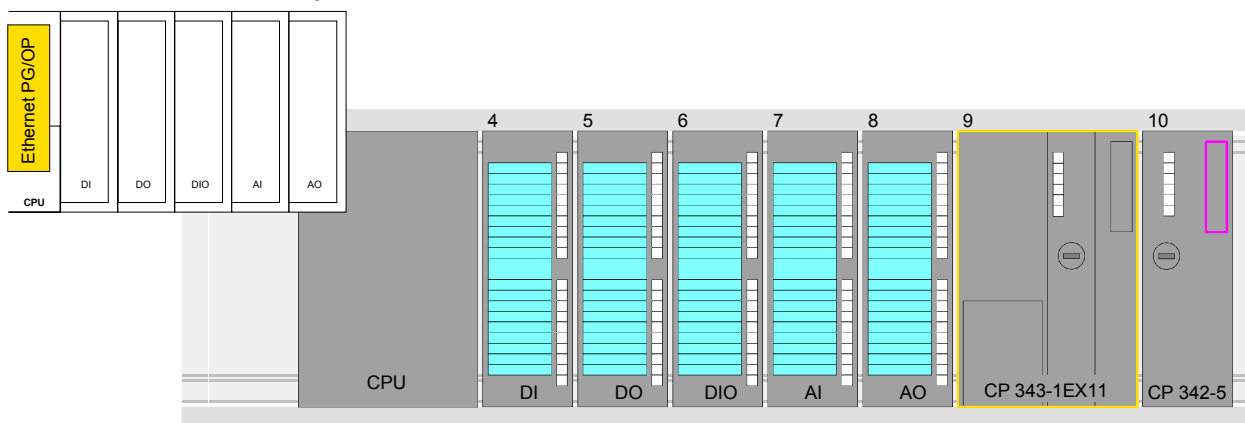
Thus, the VIPA components can be displayed, you have to deactivate the "Filter" of the hardware catalog.

Proceeding

The embedding of the CPU 314-6CF03 happens by means of a virtual PROFIBUS master system with the following approach:

- Start the Siemens TIA Portal.
- Configure in the *Device configuration* the according Siemens CPU.
- Configure your System 300 modules.
- Configure your Ethernet PG/OP channel always as last module after the really plugged modules.
- Configure always as last module a Siemens DP master CP 342-5 (342-5DA02 V5.0). Connect and parameterize it at operation mode "DP-Master".

Project area:



Device overview:

Module	...	Slot	...	Type	...
PLC...		2		CPU ...	
...		
		3			
DI...		4		DI...	
DO...		5		DO...	
DIO...		6		DIO...	
AI...		7		AI...	
AO...		8		AO...	
CP 343-1		9		CP 343-1	
CP 342-5		10		CP 342-5	

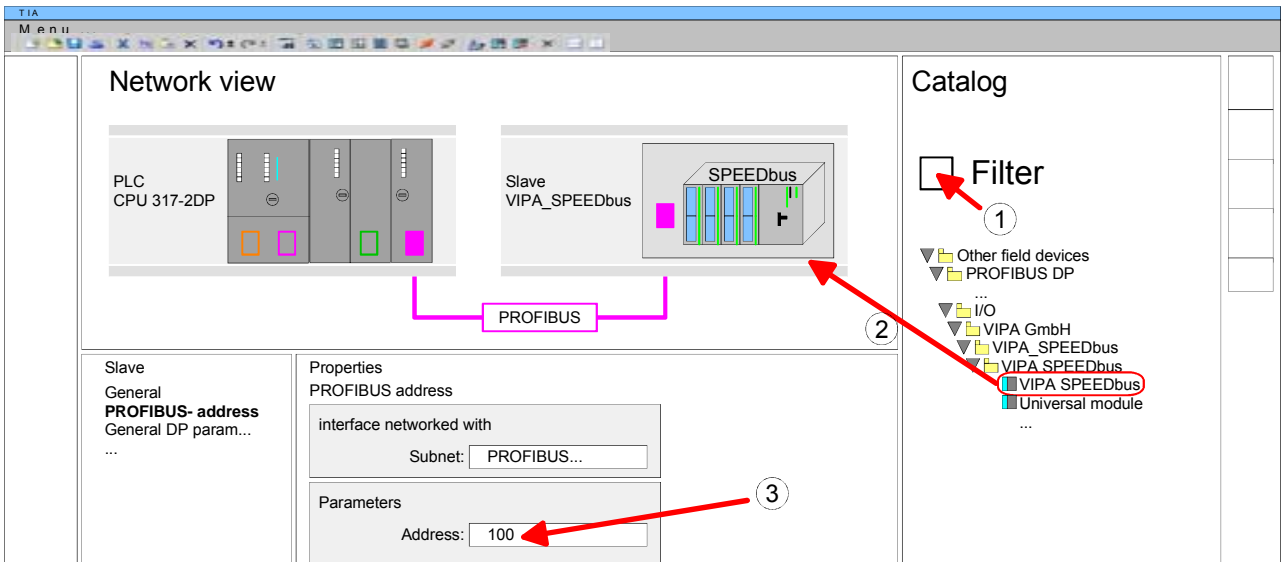


Note!

Thus, the VIPA components can be displayed, you have to deactivate the "Filter" of the hardware catalog.

Connect
VIPA_SPEEDbus

- Switch in the *Project area* to "Network view".
- Connect the slave system "VIPA_SPEEDbus".
After installing the SPEEDBUS.GSD this may be found in the hardware catalog at: *Other field devices > PROFIBUS DP > I/O > VIPA GmbH > VIPA_SPEEDbus*.
- For the slave system set the PROFIBUS address 100.



- Click at the slave system and open the "Device overview" in the *Project area*.
- Configure at slot 1 the VIPA CPU 314-6CF03 of the hardware catalog from VIPA_SPEEDbus.
- By double clicking the placed CPU 314-6CF03 the properties dialog of the CPU is showed.

Device overview:

Module	...	Slot	...	Type	...
Slave...		0		VIPA SPEEDbus	
314-6CF03		1		314-6CF03...	
		2			

As soon as the project is transferred together with the PLC user program to the CPU, the parameters will be taken after start-up.

TIA Portal - Include VIPA library

Overview

The VIPA specific blocks may be found at www.vipa.com as downloadable library at the "service" area with *Downloads > VIPA LIB*.

The library is available as packed zip-file *Fx000020_V...* .

If you want to use VIPA specific blocks, you have to import the library into your project.

Execute the following steps:

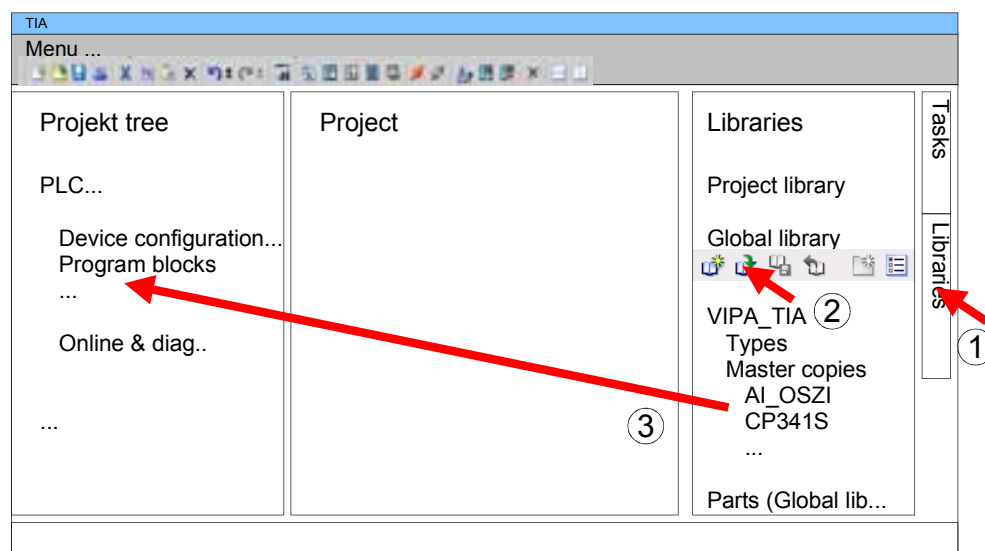
- Extract *Fx000020_V...* .zip
- Open library and transfer blocks into the project

Unzip *Fx000020_V...* .zip

Start your un-zip application with a double click on the file *Fx000020_V...* .zip and copy all the files and folders in a work directory for the Siemens TIA Portal.

Open library and transfer blocks to project

- Start the Siemens TIA Portal with your project.
- Select the *Project view*.
- Choose "Libraries" from the Task cards on the right side.
- Click at "Global libraries".
- Click at "Open global library".
- Navigate to your directory and load the file *VIPA_TIA.al11*.



- Copy the necessary blocks from the library into the "Program blocks" of the Project tree of your project. Now you have access to the VIPA specific blocks via your user application.

TIA Portal - Project transfer

Overview

There are the following possibilities for project transfer into the CPU:

- Transfer via MPI/PROFIBUS
- Transfer via Ethernet
- Transfer via MMC

Transfer via MPI/PROFIBUS

Currently the VIPA programming cables for transfer via MPI respectively PROFIBUS are not supported. This is only possible with the programming cable from Siemens.

Information may be found in the corresponding documentation.

Transfer via Ethernet

For transfer via Ethernet the CPU has the following interface:

- X5: Ethernet PG/OP channel

Initialization

So that you may access the Ethernet PG/OP channel you have to assign IP address parameters by means of the "initialization" (see "TIA Portal - Hardware configuration - Ethernet PG/OP channel").

Please consider to use the same IP address data in your project for the CP 343-1.

Transfer

- For the transfer, connect, if not already done, the appropriate Ethernet port to your Ethernet.
- Open your project with the Siemens TIA Portal.
- In the *Project tree* click at *Online access* and select your network card, which is connected to the Ethernet PG/OP interface, by double-click.
- Select in the *Project tree* your CPU and click at [Go online].
- Set the access path by selecting "PN/IE" as type of interface, your network card and the according subnet. Then a net scan is established and the corresponding station is listed.
- With [Connect] a connection is established.
- Click to **Online** > *Download to device* → the according block is compiled and by a request transferred to the device. Provided that no new hardware configuration is transferred to the CPU, the entered Ethernet connection is permanently stored in the project as transfer channel.

**Transfer via
MMC**

The MMC (**Memory Card**) serves as external transfer and storage medium. There may be stored several projects and sub-directories on a MMC storage module. Please regard that your current project is stored in the root directory and has one of the following file names:

- *S7PROG.WLD*
- *AUTOLOAD.WLD*

With **Project** > *Memory card file* > *New* a WLD file may be created in the Siemens TIA Portal. Then the wld file is shown in the project tree at "SIMATIC Card Reader" as "Memory card file".

Copy the blocks from the *Programm blocks* to the wld file. Here the hardware configuration data are automatically copied to the wld file as "System data".

**Transfer
MMC → CPU**

The transfer of the application program from the MMC into the CPU takes place depending on the file name after an overall reset or PowerON.

- *S7PROG.WLD* is read from the MMC after overall reset.
- *AUTOLOAD.WLD* is read after PowerON from the MMC.

The blinking of the LED "MCC" of the CPU marks the active transfer. Please regard that your user memory serves for enough space, otherwise your user program is not completely loaded and the SF LED gets on.

**Transfer
CPU → MMC**

When the MMC has been installed, the write command stores the content of the battery buffered RAM as *S7PROG.WLD* on the MMC.

The write command is to be found in the Siemens TIA Portal in the Task card "Online tools" in the command area at "Memory" as button [Copy RAM to ROM]. Only if this function is supported by the CPU, this button is shown.

During the write process the "MCC"-LED of the CPU is blinking. When the LED expires the write process is finished.

If this project is to be loaded automatically from the MMC with PowerON, you have to rename this on the MMC to *AUTOLOAD.WLD*.

Transfer control

After a MMC access, an ID is written into the diagnostic buffer of the CPU. To monitor the diagnosis entries, you select *Online & Diagnostics* in the Siemens TIA Portal. Via the register "Diagnostic Buffer" you reach the diagnosis window.

When accessing a MMC, the following events may occur:

Event-ID	Meaning
0xE100	MMC access error
0xE101	MMC error file system
0xE102	MMC error FAT
0xE104	MMC-error with storing
0xE200	MMC writing finished successful
0xE210	MMC reading finished (reload after overall reset)
0xE21F	Error during reload, read error, out of memory